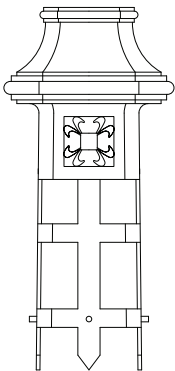


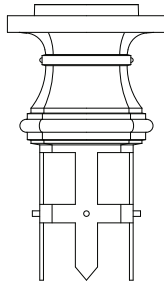
The King Luminaire Foliums provide a decorative flourish to the top of a pole. Some versions work in conjunction with a separate capital, while others have the mounting capabilities directly to provide the mounting connection between poles and post top luminaires.

**OVERVIEW**

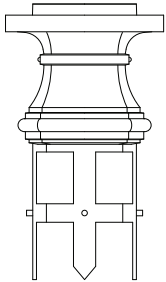
**KFSL1**



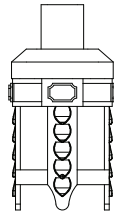
**KFSL2**



**KFSL3**



**KFJ**



**SPECIFICATIONS**

**MATERIAL:**  
Cast Aluminum

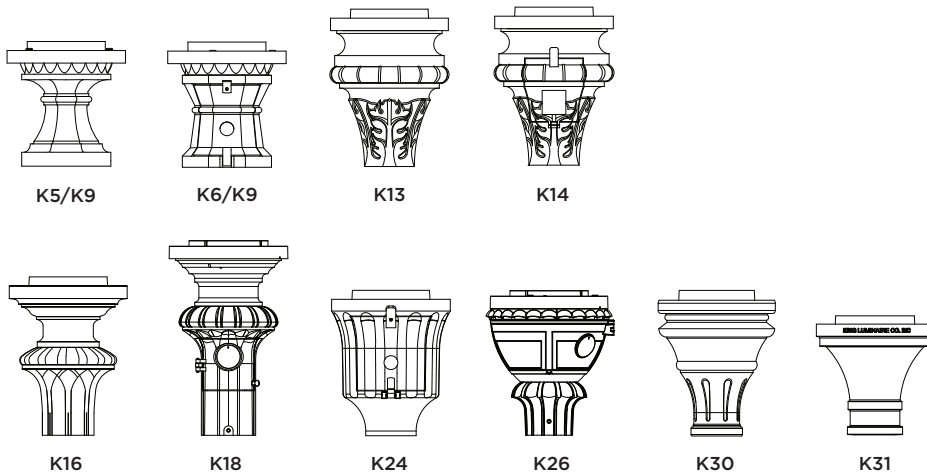
**COMPATIBILITY**

Luminaire Mounting	Foliums			
	KFSL1	KFSL2	KFSL3	KFJ
3 1/2" O.D. Tenon	■			
Rotolock™ or Set Scrw Globe Ring		■	■	
Integrated 2 7/8" O.D. x 3" L Tenon				■

Pole Tip Dimension	Foliums			
	KFSL1	KFSL2	KFSL3	KFJ
6 5/8" Inside FL/FL	■			
6 1/2" Inside FL/FL			■	
5 13/16" Inside FL/FL		■		
5 5/8" Inside FL/FL				■

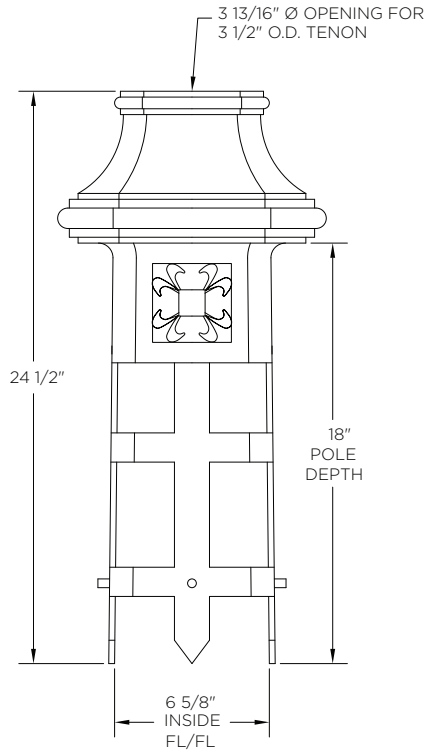
**RELATED**

**Capitals**

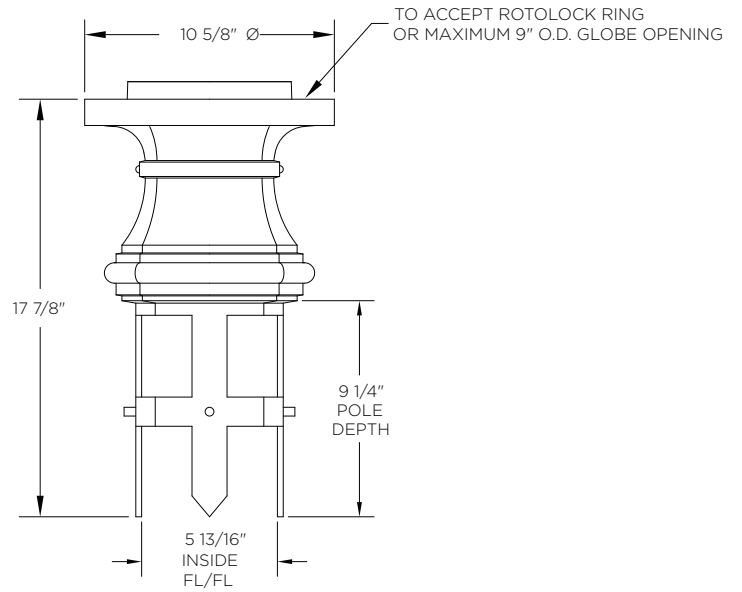


for more details, see Capitals Spec Sheet.

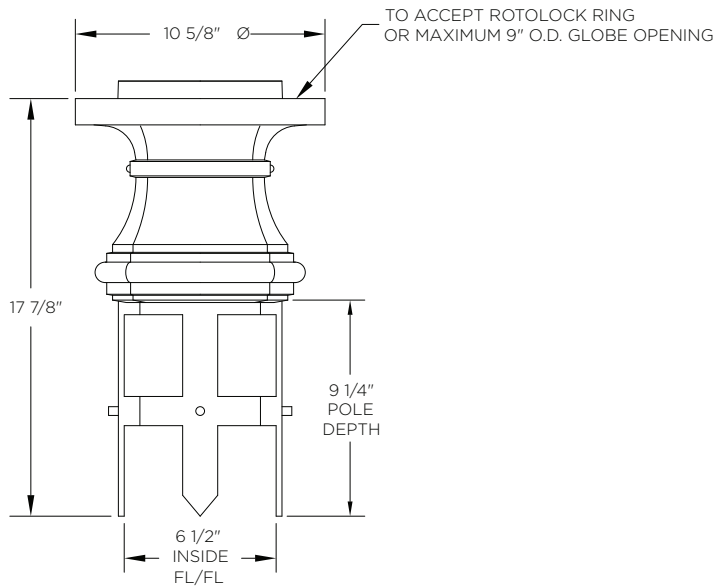
**KFSL1:**



**KFSL2:**



**KFSL3:**



**KFJ:**

