

CAPITALS // DECORATIVE DETAIL

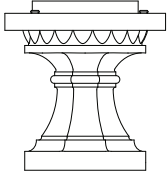
POST TOP LUMINAIRES



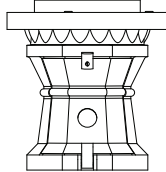
The King Luminaire Capitals provide the mounting connection between poles or tenon-mount arms and post top luminaires, as well as functioning as an enclosure for the driver assembly of the luminaire. Available in a variety of decorative options. Photo controls are available for some configurations.

OVERVIEW

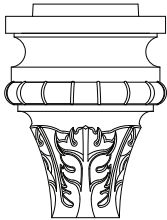
K5/K9



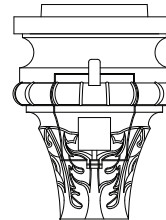
K6/K9



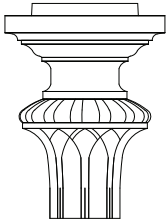
K13



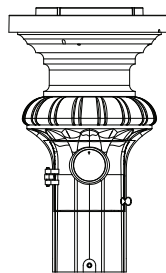
K14



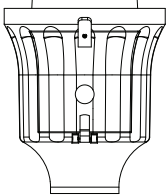
K16



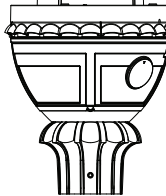
K18



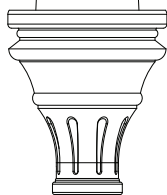
K24



K26



K30



K31



SPECIFICATIONS

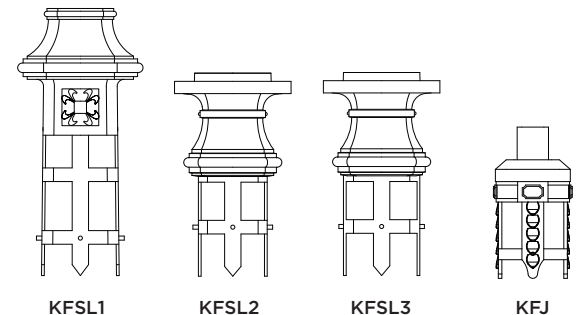
Capitals are designed for use with a standard 3 1/2" O.D. x 3 1/2" long tenon or 7" O.D. ring pole top as indicated. Other sizes may be available. Please contact factory to verify. Capitals provide the standard Rotolock™ connection to a fixture, unless otherwise noted.

COMPATIBILITY

	Compatible Capitals									
	K5/ K9	K6/ K9	K13	K14	K16	K18	K24	K26	K30	K31
3 1/2" O.D. x 3 1/2" L Tenon										
7" O.D. Ring										
KA16										
KA28										
KA43										
KA63										
KA66										
KA69										
KA90										
KA91										
KA93										
KFSL1										
KFSL2										
KFSL3										
KFJ										

RELATED

Foliums



KFSL1

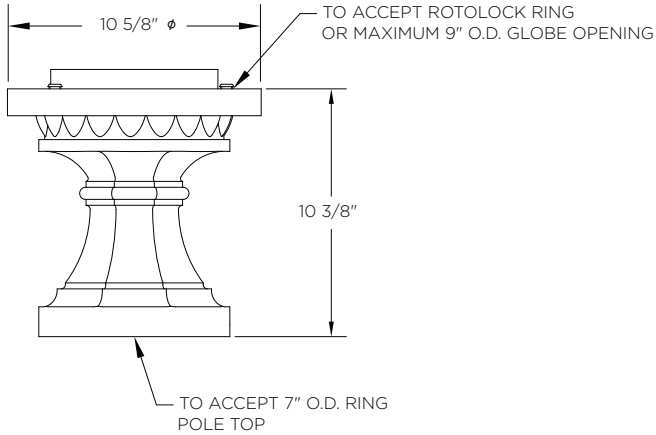
KFSL2

KFSL3

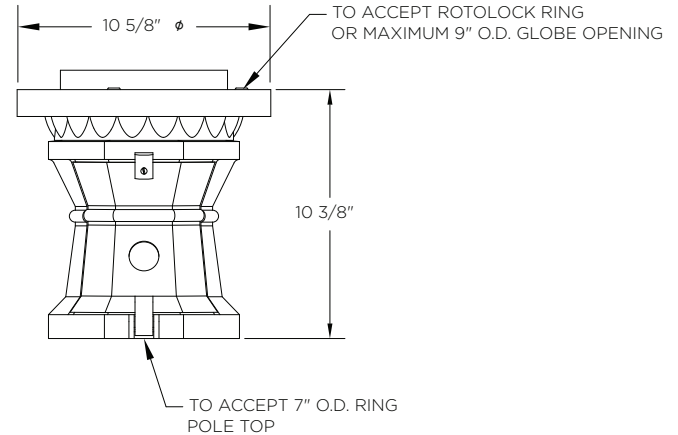
KFJ

for more details, see Foliums Spec Sheet.

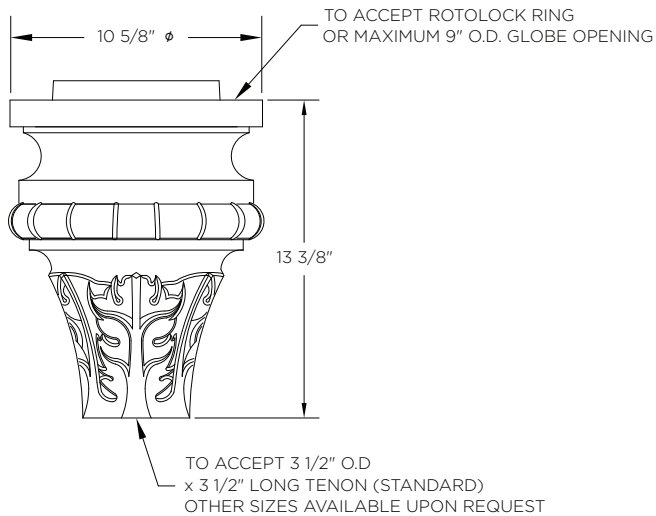
K5/K9:



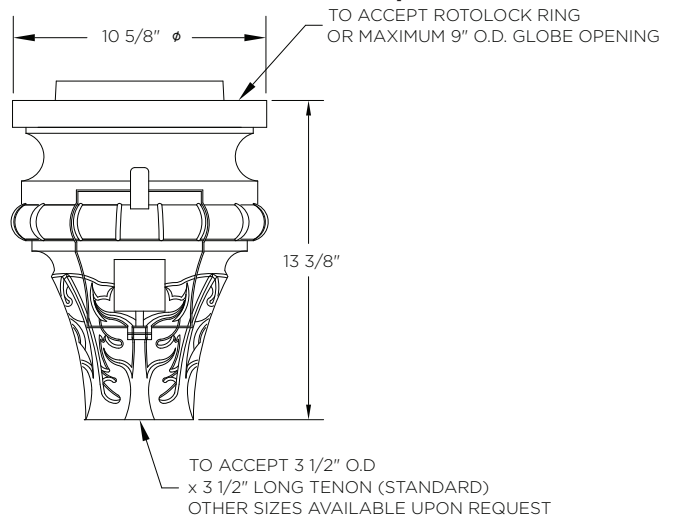
K6/K9: Photo Control Compatible



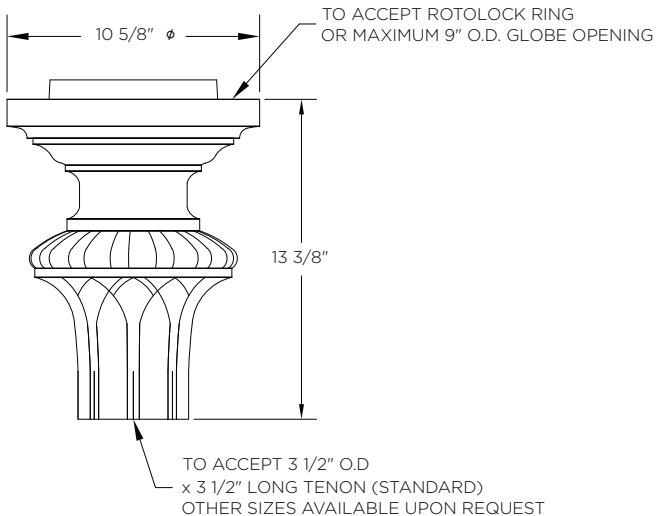
K13:



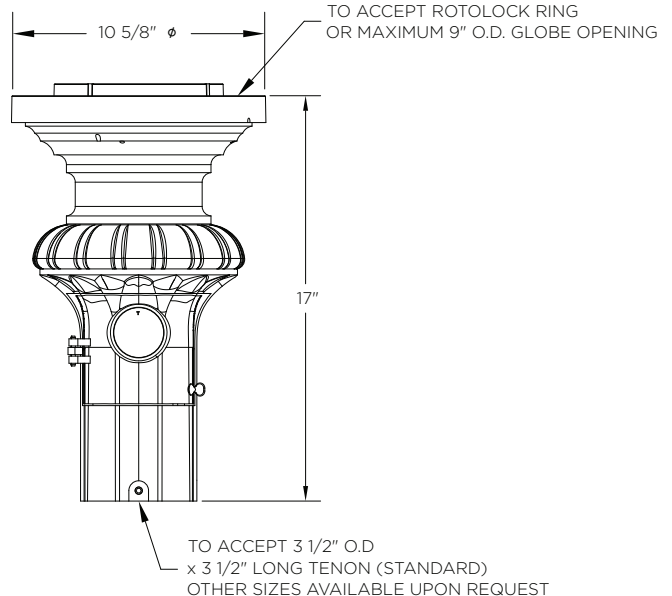
K14: Photo Control Compatible



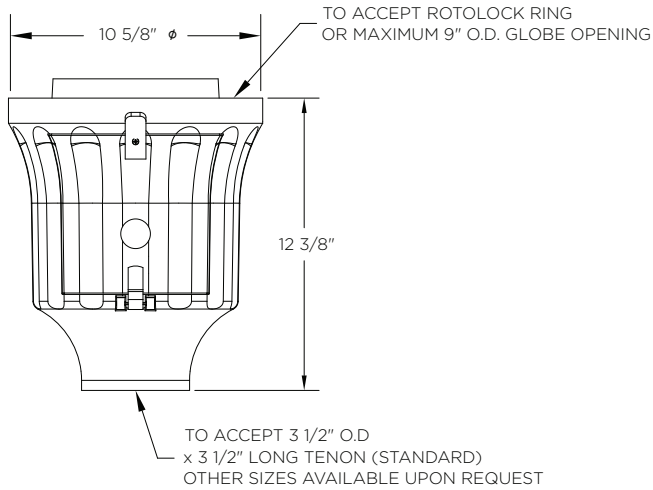
K16:



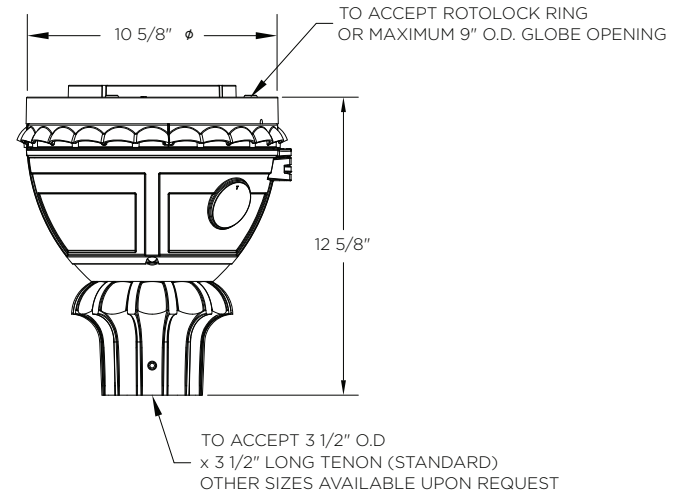
K18: Photo Control Compatible



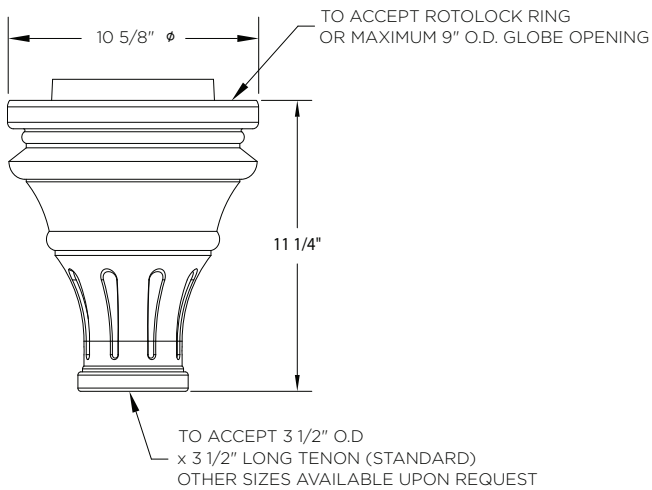
K24: Photo Control Compatible



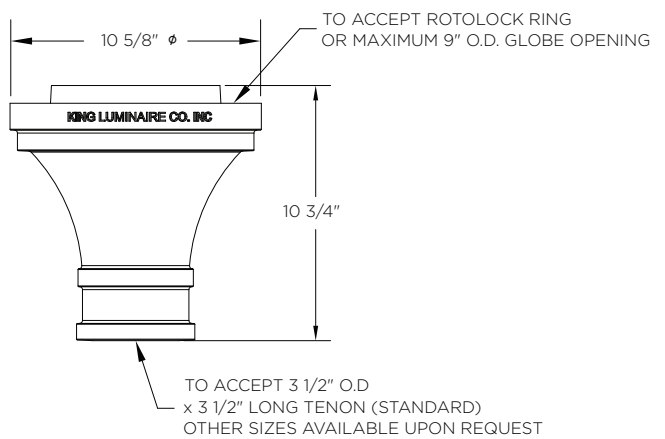
K26: Photo Control Compatible



K30:



K31:



Note: Not all Capitals are available on all luminaires. Please see spec sheet for each luminaire to determine compatibility.