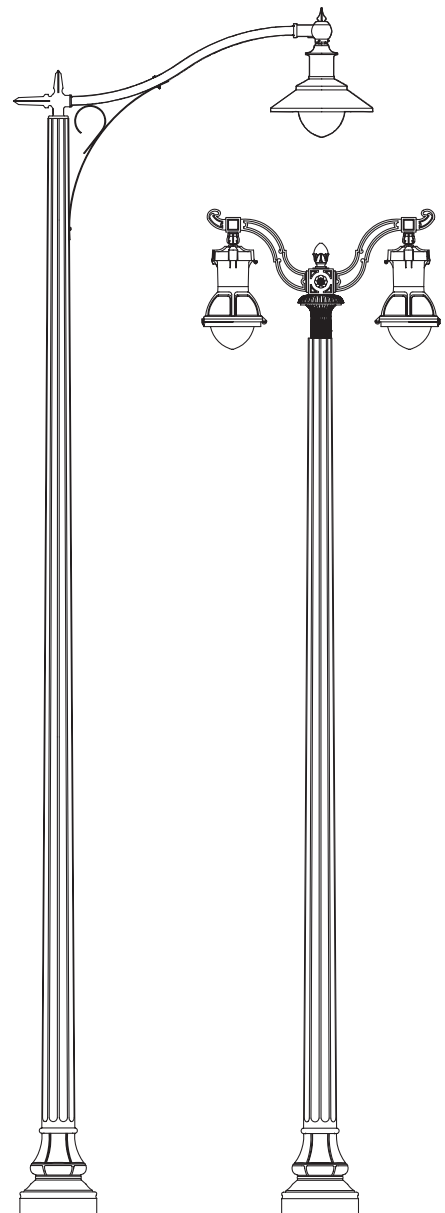


THE WASHINGTON

The Washington design has a long history. Originally installed around the Capital Hill & White House grounds in 1910, it is now widely used throughout the DC area and has become extremely popular across the country. StressCrete is proud to introduce a spun concrete 10 fluted version of this historic design. It is available in heights from 5' to 30' as well as a lighted and nonlighted bollard.



Specification Details*

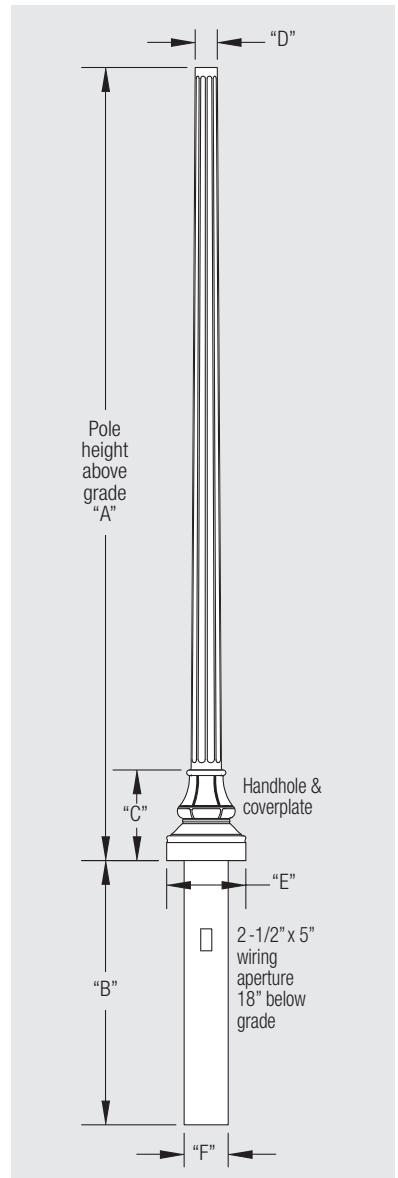
Description	Catalog Number	"A" Pole Height Above Grade	"D" Tip Dimension	"C" Stepped Section Height	"E" Flare	"B" Direct Burial Length & "F" Dia.	Pole Weight Direct Burial	Pole Weight Base Plate
Washington 10'	KWC10	10' 0"	5 3/4"	20 1/2"	18"	4' 6" x 10"	860 lbs	655 lbs
Washington 13'	KWC13	13' 0"	5 1/4"	20 1/2"	18"	4' 6" x 10"	925 lbs	720 lbs
Washington 15'	KWC15	15' 0"	5"	20 1/2"	18"	4' 6" x 10"	1100 lbs	895 lbs
Washington 18'	KWH18	18' 0"	6 3/4"	24"	21"	5' 0" x 12"	1660 lbs	1390 lbs
Washington 20'	KWH20	20' 0"	6 3/8"	24"	21"	5' 0" x 12"	1750 lbs	1480 lbs
Washington 25'	KWH25	25' 0"	5 3/4"	24"	21"	5' 0" x 12"	1900 lbs	1630 lbs
Washington 30'	KWH30	30' 0"	5"	24"	21"	5' 0" x 12"	2140 lbs	1870 lbs

* Bollard specification details can be found on our website

How to Catalog for Washington Concrete Pole

Pole Style	Finish	Footing Details	Coating
KWC KWH	E – Etched Finish	DB – Direct Buried FBP – Flush Baseplate SBP – Stub Baseplate	NA – Non Acrylic A – Acrylic AG – Anti Graffiti Coating***
KWH 30'	E 40	DB 140 30/30	GFI NA
Height 5' - 30'	Color** 10 – Midnight Lace 11 – Eclipse Black 30 – Salt & Pepper 40 – Pearl Gray 90 – Saluki bronze	Tenon (Post Top Mount) Specify Tenon Size For example 140 30/30 = 2 7/8" OD & 3" long	Options* DR – Duplex Receptacle GFI – Ground Fault Duplex Receptacle SR – 1 Outlet LRN – Ladder Rest BPC – Base Plate Cover AB – Anchor Bolts BA – Banner Arms FH – Flag Holders

* Consult website for full listings. ** See decor colors on page 2 for full selection of colors.
***Anti Graffiti Coating is extra, consult factory for more details.

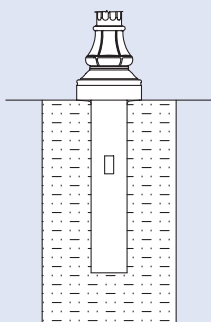


Footing Details

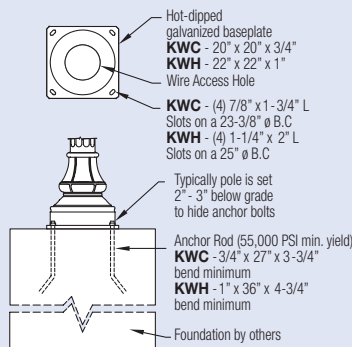
Direct Buried

(Simple and Cost Effective)

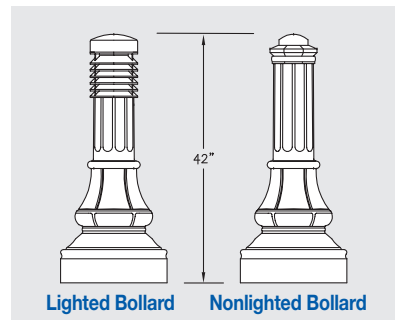
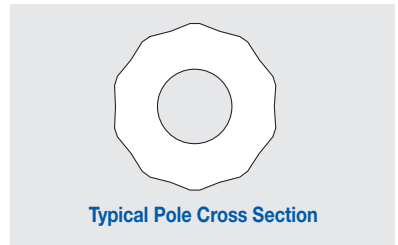
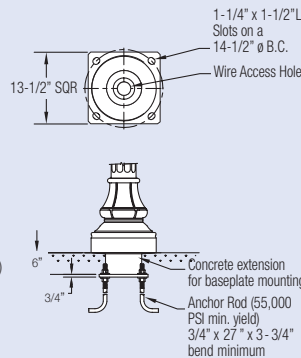
1. Auger the setting hole.
2. Set pole in hole and plumb straight.
3. Backfill* with required backfill tamping every 4" to 6".



Baseplate Option 1: FBP



Baseplate Option 2: SBP



*Generally the excavated material can be used for backfill, in some situations better backfill may be required.