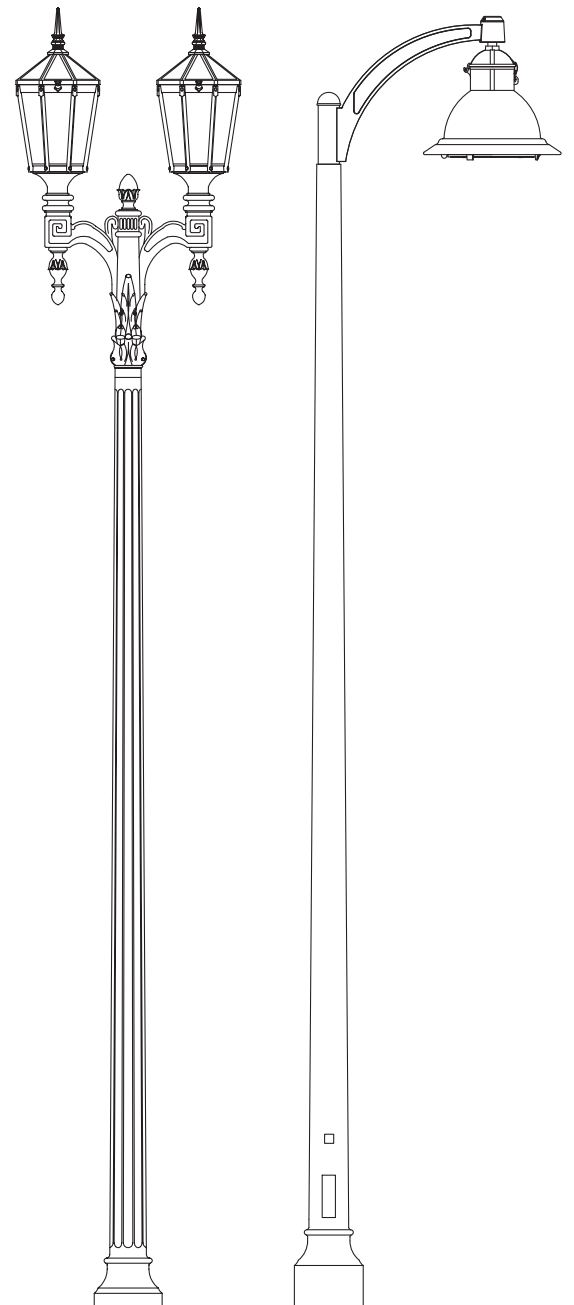


THE TRADITIONAL

Available in a 10 fluted or non fluted shaft, this simple pole was originally designed and installed in many residential areas in several west coast cities. Now in spun concrete it continues to offer understated elegance to any project it is used for. Available in heights from 5' to 20' and offered as a lighted and nonlighted bollard.



Specification Details*

Description	Catalog Number	"A" Pole Height Above Grade	"D" Tip Dimension	"B" Direct Burial Length & "F" Dia.	Pole Weight Direct Burial	Pole Weight Base Plate	
Traditional Fluted	10'	KD10	10' 1"	5 1/2"	4' 6" x 8 1/4"	525 lbs	375 lbs
Traditional Fluted	13'	KD13	13' 1"	5"	4' 6" x 8 1/4"	615 lbs	465 lbs
Traditional Fluted	15'	KD15	15' 1"	5"	4' 6" x 8 1/4"	710 lbs	560 lbs
Traditional Fluted	18'	KD18	18' 1"	5 1/4"	5' 0" x 8 1/4"	1100 lbs	850 lbs
Traditional Fluted	20'	KD20	20' 1"	5"	5' 0" x 8 1/4"	1180 lbs	930 lbs
Traditional Non Fluted	10'	KDNF10	10' 1"	5 7/8"	4' 6" x 7 7/8"	625 lbs	475 lbs
Traditional Non Fluted	13'	KDNF13	13' 1"	5 3/8"	4' 6" x 7 7/8"	715 lbs	565 lbs
Traditional Non Fluted	15'	KDNF15	15' 1"	5"	5' x 7 7/8"	810 lbs	660 lbs
Traditional Non Fluted	18'	KDNF18	18' 1"	4 1/2"	5' x 7 7/8"	1200 lbs	950 lbs
Traditional Non Fluted	20'	KDNF20	20' 0"	4 1/8"	5' x 7 7/8"	1280 lbs	1030 lbs

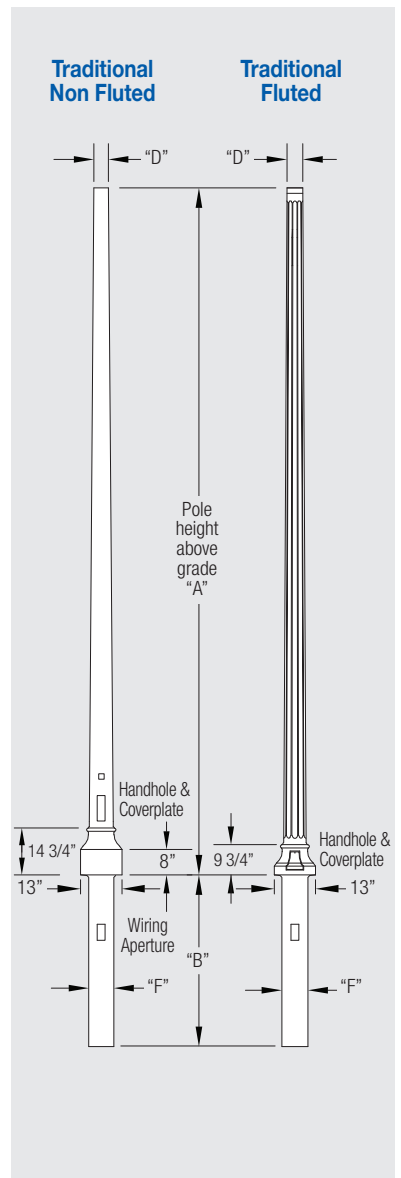
Note - Optional deeper burial depth up to 8' 0" available

* Bollard specification details can be found on our website

How to Catalog:

Pole Style	Finish	Footing Details	Coating
KD KDNF	E - Etched Finish	DB - Direct Buried FBP - Flush Baseplate SBP - Stub Baseplate	NA - Non Acrylic A - Acrylic AG - Anti Graffiti Coating***
KDNF 20'	E 40	DB 140 30/30	GFI NA
Height 5' - 20'	Color** 10 - Midnight Lace 11 - Eclipse Black 30 - Salt & Pepper 40 - Pearl Gray 90 - Saluki bronze	Tenon (Post Top Mount) Specify Tenon Size For example 140 30/30 = 2 7/8" OD & 3" long	Options* DR - Duplex Receptacle GFI - Ground Fault Duplex Receptacle SR - 1 Outlet LRN - Ladder Rest BPC - Base Plate Cover AB - Anchor Bolts BA - Banner Arms FH - Flag Holders

* Consult website for full listings. ** See decolor on page 2 for full selection of colors.
***Anti Graffiti Coating is extra, consult factory for more details.

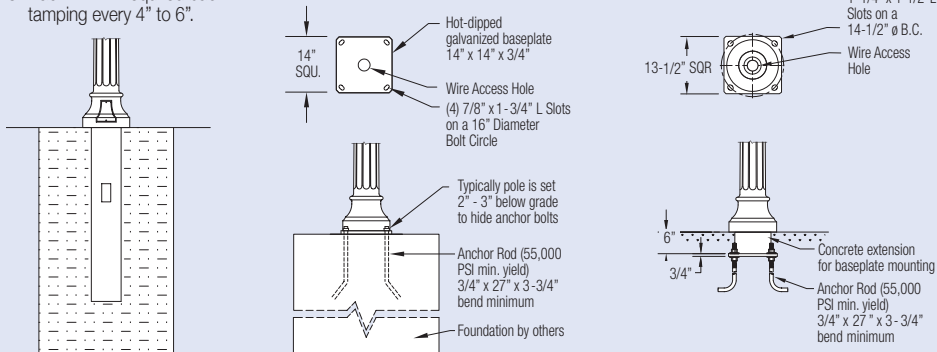


Footing Details

Direct Buried

(Simple and Cost Effective)

1. Auger the setting hole.
2. Set pole in hole and plumb straight.
3. Backfill* with required backfill tamping every 4" to 6".



*Generally the excavated material can be used for backfill, in some situations better backfill may be required.

