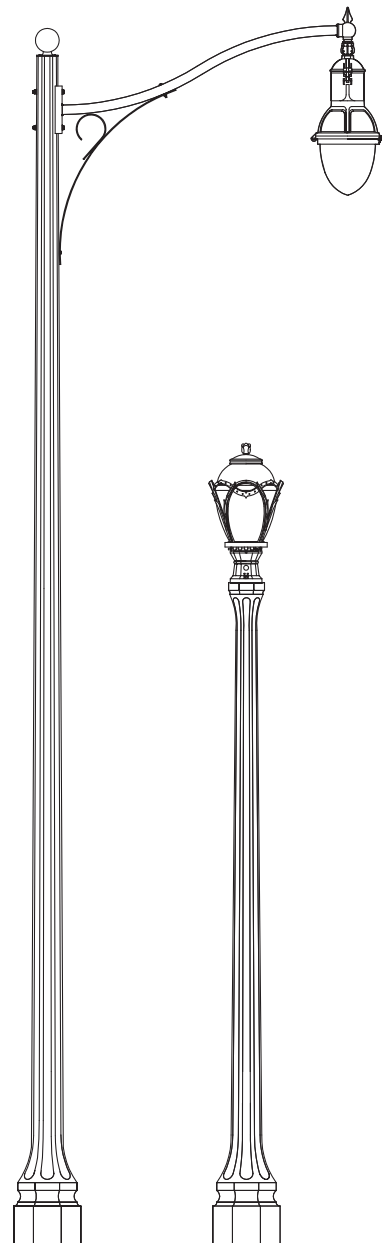


THE TALISMAN

With roots firmly established in the 20's and 30's the Talisman is an elegant version of several classic originals. In essence it is an 8 fluted version of the octagonal Belmont with the same graceful lines and proportions; the perfect choice to satisfy the tastes of many. It is available in heights from 5' to 32.5' as well as a lighted and nonlighted bollard.



Specification Details*

Description	Catalog Number	"A" Pole Height Above Grade	"D" Tip Dimension	"E" Flare	"B" Direct Burial Length & "F" Dia.	Pole Weight Direct Burial	Pole Weight Base Plate	
Talisman Flared Top	11'	KT105	11'	9"	18"	4' 6" x 9 1/2"	1200 lbs	1000 lbs
Talisman Non Flared Top	12'	KT12	12' 0"	5 1/2"	18"	4' 6" x 9 1/2"	1300 lbs	1100 lbs
Talisman Flared Top	14'	KT14	13' 11"	9"	18"	4' 6" x 9 1/2"	1370 lbs	1170 lbs
Talisman Non Flared Top	20'	KTH20	20' 0"	5 3/4"	18"	5' 0" x 9 1/2"	1600 lbs	1400 lbs
Talisman Non Flared Top	25'	KTH25	25' 0"	5 3/8"	18"	5' 0" x 9 1/2"	1800 lbs	1600 lbs
Talisman Non Flared Top	20'	KTT20	20' 0"	7 3/8"	21"	5' 0" x 12"	2270 lbs	2000 lbs
Talisman Non Flared Top	25'	KTT25	25' 0"	6 1/2"	21"	5' 0" x 12"	2470 lbs	2200 lbs
Talisman Non Flared Top	30'	KTT30	30' 0"	5 7/8"	21"	5' 0" x 12"	2630 lbs	2360 lbs
Talisman Non Flared Top	33'	KTT32.5	32' 6"	5 1/2"	21"	6' 0" x 12"	2720 lbs	2450 lbs

* Bollard specification details can be found on our website

How to Catalog for Talisman Concrete Pole

Pole Style

KT
KTH
KTT

KTT

32.5'

Height
5' - 32' 6"

Finish

E – Etched Finish

E

40

Color**

10 – Midnight Lace
11 – Eclipse Black
30 – Salt & Pepper
40 – Pearl Gray
90 – Saluki bronze

Footing Details

DB – Direct Buried
FBP – Flush Baseplate
SBP – Stub Baseplate

DB

140 30/30

Tenon (Post Top Mount)

Specify Tenon Size

For example 140 30/30
= 2 7/8" OD & 3" long

Coating

NA – Non Acrylic
A – Acrylic
AG – Anti Graffiti Coating***

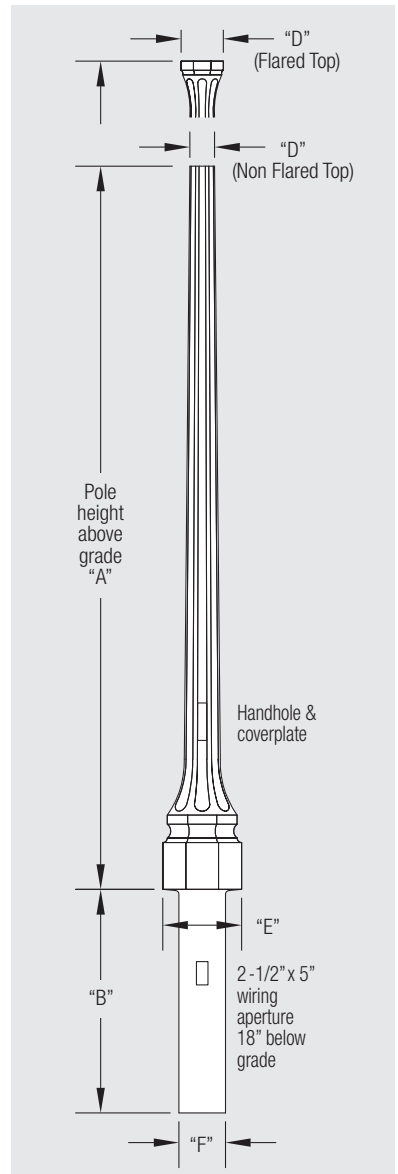
GFI

NA

Options*

DR – Duplex Receptacle
GFI – Ground Fault Duplex Receptacle
SR – 1 Outlet
LRN – Ladder Rest
BPC – Base Plate Cover
AB – Anchor Bolts
BA – Banner Arms
FH – Flag Holders

* Consult website for full listings. ** See decor colors on page 2 for full selection of colors.
***Anti Graffiti Coating is extra, consult factory for more details.

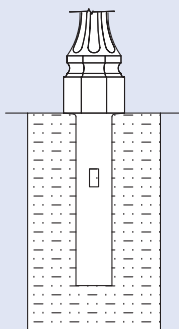


Footing Details

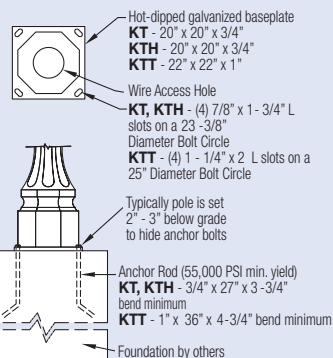
Direct Buried

(Simple and Cost Effective)

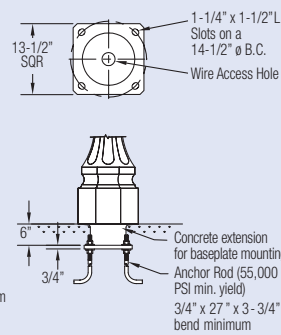
1. Auger the setting hole.
2. Set pole in hole and plumb straight.
3. Backfill* with required backfill tamping every 4" to 6".



Baseplate Option 1: FBP



Baseplate Option 2: SBP



*Generally the excavated material can be used for backfill, in some situations better backfill may be required.

