



StressCrete®

SPUN CONCRETE

DECORATIVE & STREET LIGHTING POLES



StressCrete®
GROUP



Contents

Decor Colors	2
The Americana Series	
The Alexander	3 - 4
The Beaumont	5 - 8
The Belmont	9 - 10
The California	11 - 12
The Canterbury	13 - 14
The Centennial	15 - 16
The Classic	17 - 18
The Ionic	19 - 20
The Kensington	21 - 22
The Lorraine	23 - 24
The Memphis	25 - 26
The Pacific	27 - 28
The Sheridan	29 - 30
The St. Louis	31 - 32
The Talisman	33 - 34
The Traditional	35 - 36
The Washington	37 - 38
The Windsor	39 - 40
The Symmetry Series	
Round Tapered	41
Octagonal Tapered	42
Hexagonal Tapered	43
Square Non Tapered	44
Square Tapered	45
Fluted Tapered	46
Spun Concrete Bollards	
Spun Concrete Bollards	47 - 48
Bollard Mounting Options	49 - 50

StressCrete Group

With manufacturing facilities in five North American locations, StressCrete Group produces an extensive line of high-performance LED decorative outdoor lighting fixtures, decorative spun concrete and metal poles, plus pole arms, accessories, bollards and site amenities. We manufacture a vast range of products for many industries including municipalities, power distribution and transmission, electrical and communications and sports lighting. We are a family business that operates by the core values of honesty, integrity, compassion and respect to better the lives of our employees, their families, our customers and the communities we represent. StressCrete Group services multiple market segments through two divisions:

- StressCrete Ltd., established in 1953, is the longest-operating, most experienced manufacturer of spun concrete poles in North America. With plants in Alabama, Kansas and Ontario, we offer the broadest, most diverse range of spun concrete poles and bollards in the industry, with quality second to none.
- King Luminaire Co. Inc. produces a comprehensive assortment of high-performance outdoor luminaires, metal poles, pole arms and accessories, plus bollards and site amenities. With an array of state-of-the-art LED Technology and HID optical systems, and plants in Ohio and Ontario, King Luminaire is a North American leader in the outdoor lighting industry.

Mission

It is our objective to offer the highest level of customer service, technical expertise and product quality to our customers, achieved through the dedication to our Gold Standards. Our commitment to constant innovation has resulted in a state-of-the-art manufacturing process, as well as leading edge technology in our products.

Spun Concrete Poles and Bollards

Our centrifugally cast reinforced concrete poles, commonly referred to as a 'spun pole' combines elegance with durability and surpasses most other materials in the market. It meets ASTM and CSA standards for spun concrete poles, as well as our own more demanding specifications. The spinning process introduces qualities into the concrete which cannot be obtained by more conventional casting methods. It provides a higher density and stronger concrete, while at the same time forming a hollow raceway inside the pole, thereby providing a smooth conduit for electrical cables.

All poles are custom made. Production is geared to each individual order's specifications and most cost-effective method. Poles are available in a full range of lengths, strengths, colors, finishes and cross-sections for a multitude of uses, including lighting, power distribution and transmission, traffic, traction, camera, and siren poles. All poles may be equipped with a galvanized steel base plate, although direct embedment is the most cost effective.

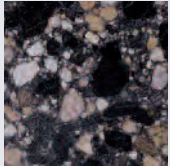
- cost effective with a long service life
- minimal vibration and deflection
- low maintenance with lifetime warranty
- aesthetically pleasing with a wide variety of colors and textures
- custom heights available
- easy to install
- environmentally friendly
- contribute to LEED® Certification points

Decor Colors

Concrete colors that are more than just skin deep.

Our decor colors add warmth and vitality to an already attractive product, enhancing the ability of discerning designers to both beautify and harmonize any lighting project. Available in a wide selection of colors from earth tones to delicate pastels, they permeate through the entire pole rather than being merely a surface treatment. Both etched and polished surface finishes combine the attributes of a solid colored matrix with the undefinable beauty of natural stone for stunning results.

Polished Decorative Spun Concrete



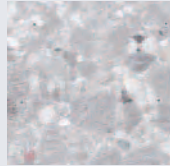
Midnight Lace - S10



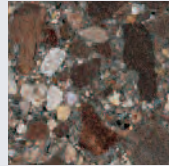
Eclipse Black - S11



Salt & Pepper - S30



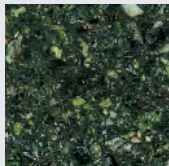
Ash White - S35*



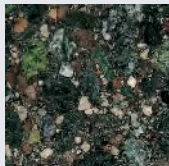
Pearl Gray - S40



Dusty Rose - S41



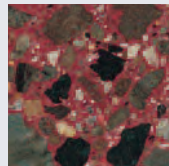
Aztec Jade - S51



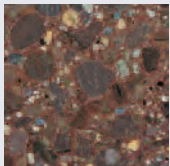
Oriental Jade - S52



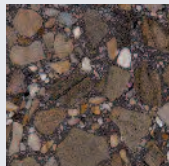
Detroit Green - S53



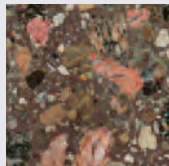
Autumn Red - S60



Desert Sand - S70



Vintage Brown - S80

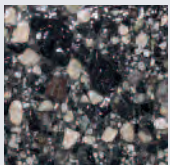


Rosewood - S81

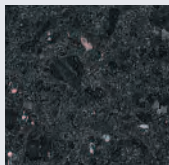


Saluki Bronze - S90

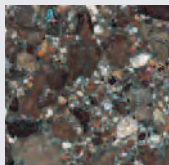
Etched Decorative Spun Concrete



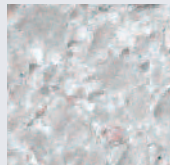
Midnight Lace - E10



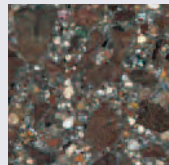
Eclipse Black - E11



Salt & Pepper - E30



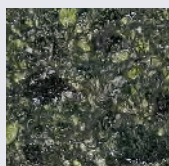
Ash White - E35*



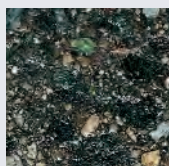
Pearl Gray - E40



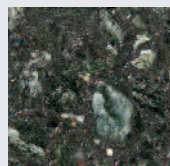
Dusty Rose - E41



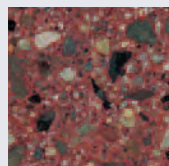
Aztec Jade - E51



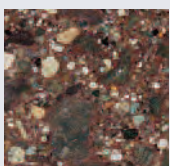
Oriental Jade - E52



Detroit Green - E53



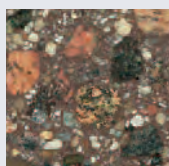
Autumn Red - E60



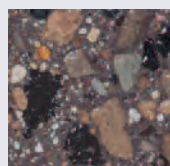
Desert Sand - E70



Vintage Brown - E80



Rosewood - E81



Saluki Bronze - E90

* Only available without acrylic, please specify **NA** in catalog code

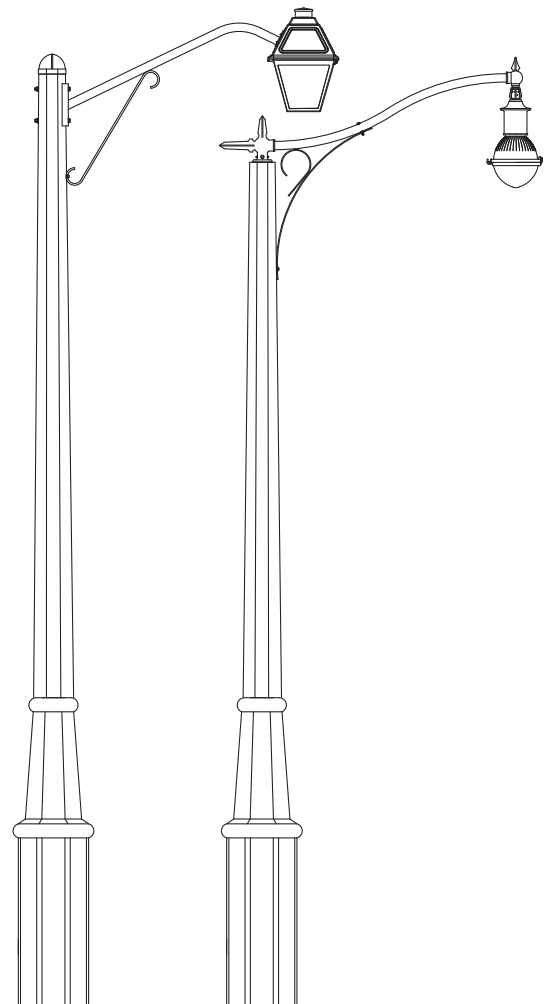
** All colours are available without acrylic, please specify **NA** in catalog code



THE ALEXANDER

The Alexander Pole was designed with the needs of the residential developer in mind. The dual cavities within the base of the pole for concealing communications equipment provide a clean streetscape by eliminating the telephone and cable communications pedestals that are often seen throughout a development.

Clean, proportionate lines, and the great benefits of centrifugally spun concrete pole technology make the Alexander a perfect addition to many residential developments.



THE TELECOM SOLUTION

Cable and Phone Lines are neatly tucked away inside the Pole Base.

Specification Details

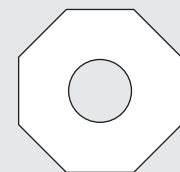
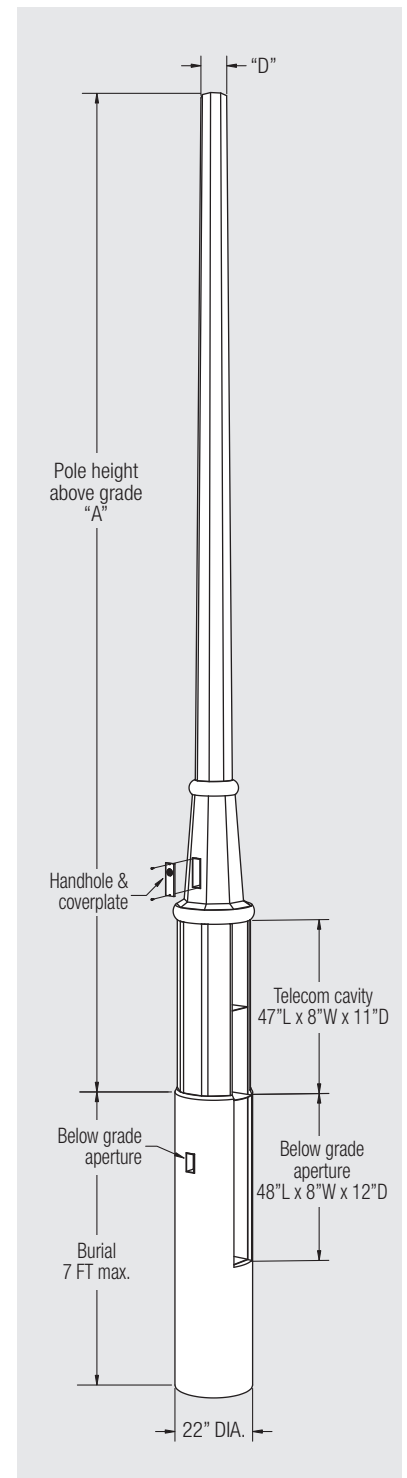
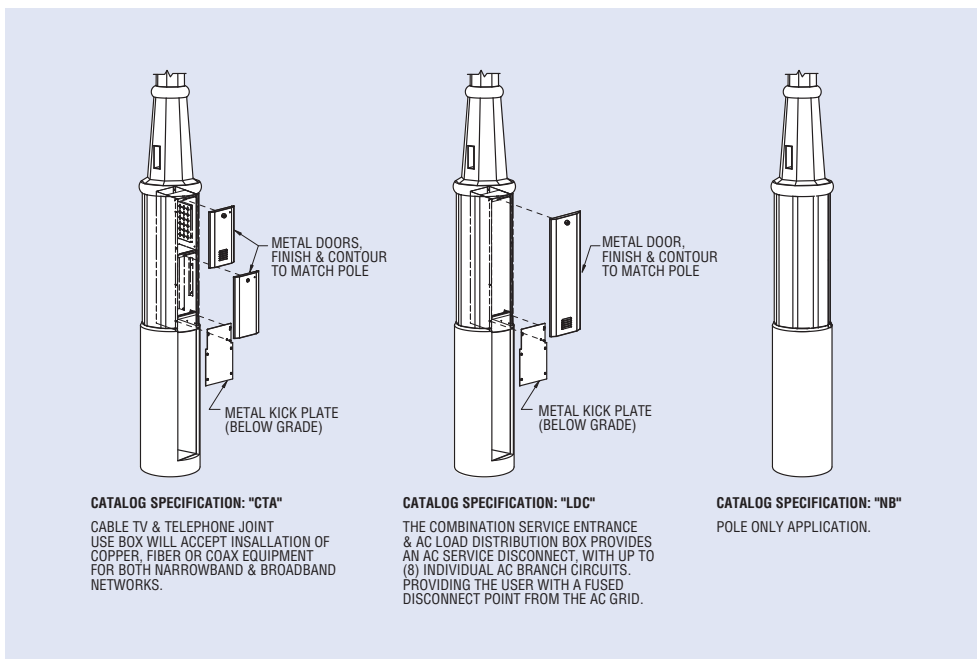
Description	Catalog Number	"A" Pole Height Above Grade	"D" Tip Dimension	Pole Weight Direct Buried
Alexander 18'	KAH18	18' 0"	7 3/4"	4400 lbs
Alexander 20'	KAH20	20' 0"	7 1/2"	4500 lbs
Alexander 22'	KAH22	22' 0"	7 1/8"	4575 lbs
Alexander 25'	KAH25	25' 0"	6 5/8"	4700 lbs
Alexander 30'	KAH30	30' 0"	5 3/4"	4850 lbs
Alexander 32'	KAH32	32' 0"	5 3/8"	4950 lbs

How to Catalog for Alexander Concrete Pole

Pole Style	Finish	Footing Details	Options*
KAH	E – Etched Finish	DB – Direct Buried	DR – Duplex Receptacle GFI – Ground Fault Duplex Receptacle SR – 1 Outlet LRN – Ladder Rest BA – Banner Arms FH – Flag Holders
KAH	E	DB	GFI
32'	40	140 30/30	NA
Height 18' - 32'	Color** 10 – Midnight Lace 11 – Eclipse Black 30 – Salt & Pepper 40 – Pearl Gray 90 – Saluki bronze	Tenon (Post Top Mount) Specify Tenon Size For example 140 30/30 = 2 7/8" OD & 3" long	Coating NA – Non Acrylic A – Acrylic AG – Anti Graffiti Coating***

* Consult website for full listings. ** See decor colors on page 2 for full selection of colors.
***Anti Graffiti Coating is extra, consult factory for more details.

Footing Details

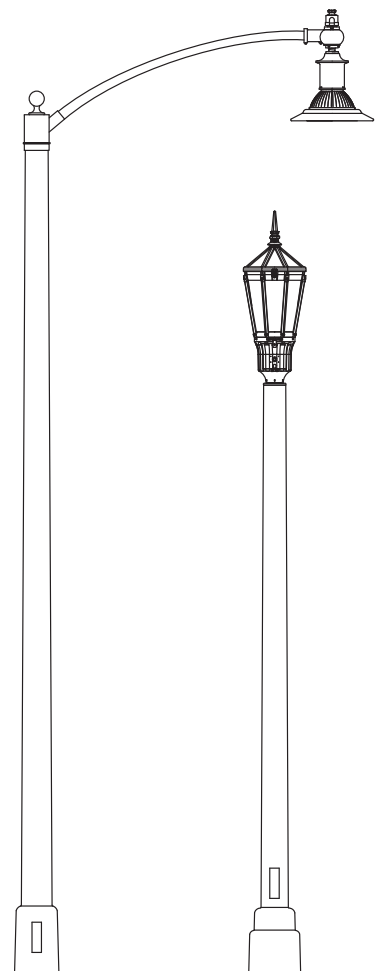


Typical Pole Cross Section

THE BEAUMONT

Available with three distinct base style options, the clean lines of the Beaumont family of poles make it an ideal choice for a customer looking for the classic style of a round pole, but with the added flare of a decorative base. The Beaumont offers a slender tapered round shaft with a complementing stepped round base for additional accent. The KB8 style features a second step for a custom appearance.

At shorter lengths, the Beaumont is ideal for residential applications and park settings, while the KB3 with up to a 40' mounting height is an ideal fit for roadway and arterial lighting applications.



Specification Details - Beaumont B2

Description	Catalog Number	"A" Pole Height Above Grade	"D" Tip Dimension	"B" Direct Burial Length & "F" Dia.	Pole Weight Direct Burial	Pole Weight Base Plate
Beaumont B2	KB215	15' 0"	6 3/8"	4' 6" x 7 7/8"	970 lbs	750 lbs
Beaumont B2	KB218	18' 0"	6"	5' 0" x 7 7/8"	1070 lbs	830 lbs
Beaumont B2	KB220	20' 0"	5 3/4"	5' 0" x 7 7/8"	1140 lbs	900 lbs
Beaumont B2	KB225	25' 0"	5 1/8"	5' 0" x 7 7/8"	1290 lbs	1050 lbs
Beaumont B2	KB226.5	26' 6"	5"	5' 0" x 7 7/8"	1340 lbs	1100 lbs

How to Catalog for Beaumont KB2 Concrete Pole

Pole Style	Finish	Footing Details	Coating
KB2	E – Etched Finish	DB – Direct Buried FBP – Flush Baseplate SBP – Stub Baseplate	NA – Non Acrylic A – Acrylic AG – Anti Graffiti Coating***
KB2 15'	E 40	DB 140 30/30	GFI NA
Height 15' - 26'6"	Color** 10 – Midnight Lace 11 – Eclipse Black 30 – Salt & Pepper 40 – Pearl Gray 90 – Saluki bronze	Tenon (Post Top Mount) Specify Tenon Size For example 140 30/30 = 2 7/8" OD & 3" long	Options* DR – Duplex Receptacle GFI – Ground Fault Duplex Receptacle SR – 1 Outlet LRN – Ladder Rest BPC – Base Plate Cover AB – Anchor Bolts BA – Banner Arms FH – Flag Holders

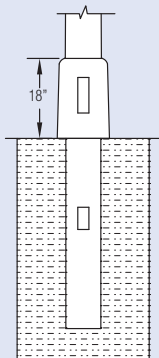
* Consult website for full listings. ** See decor colors on page 2 for full selection of colors.
***Anti Graffiti Coating is extra, consult factory for more details.

Footing Details

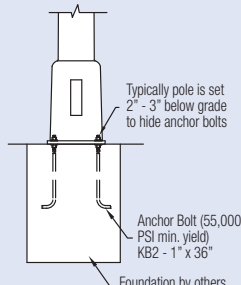
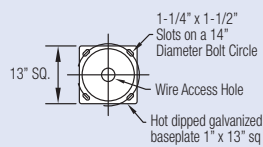
Direct Buried

(Simple and Cost Effective)

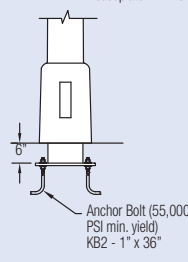
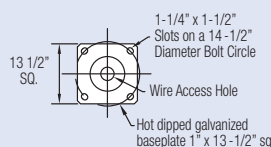
1. Auger the setting hole.
2. Set pole in hole and plumb straight.
3. Backfill* with required backfill tamping every 4" to 6".



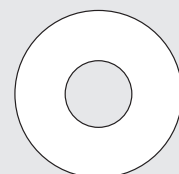
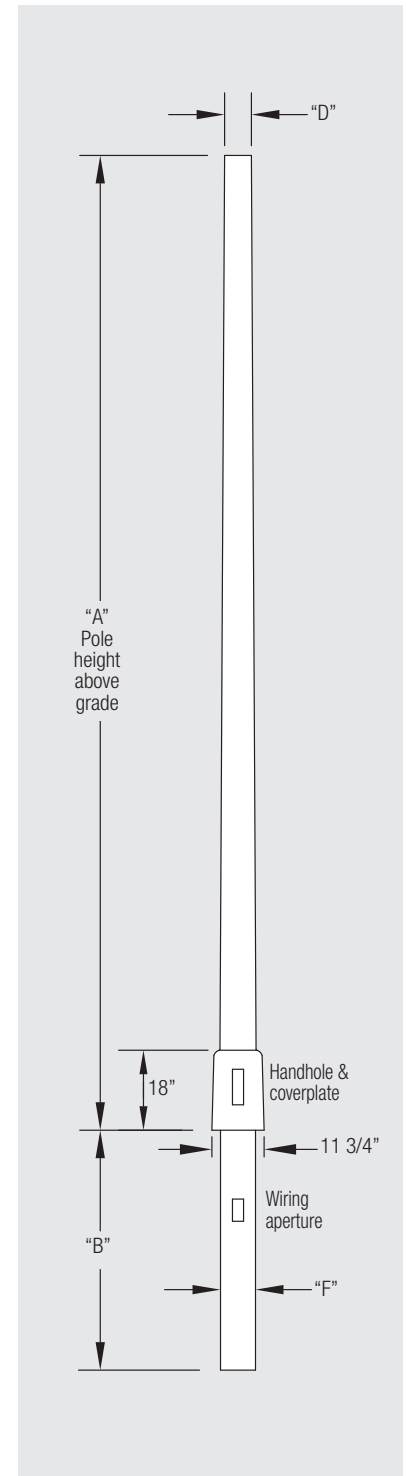
Baseplate Option 1: FBP



Baseplate Option 2: SBP



*Generally the excavated material can be used for backfill, in some situations better backfill may be required.



Typical Pole Cross Section

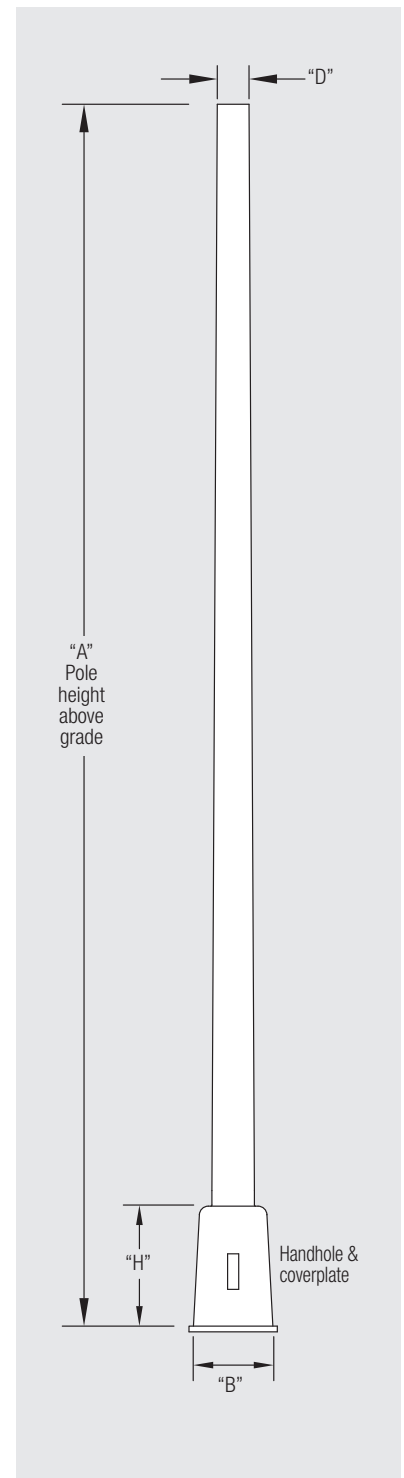
Specification Details - Beaumont B3 and B7

Description	Catalog Number	"A" Pole Height Above Grade	"B" Base Dimension	"D" Tip Dimension	"H" Base Height	"P" Base Plate Size	"BCD" Bolt Circle Dia.	Pole Weight Base Plate
Beaumont B7	KB710	10' 0"	11 7/8"	6 1/4"	17 1/8"	12 1/2"	14 1/2" Dia	550 lbs
Beaumont B7	KB712	12' 0"	11 7/8"	6"	17 1/8"	12 1/2"	14 1/2" Dia	610 lbs
Beaumont B7	KB715	15' 0"	11 7/8"	5 5/8"	17 1/8"	12 1/2"	14 1/2" Dia	700 lbs
Beaumont B7	KB720	20' 0"	11 7/8"	5"	17 1/8"	12 1/2"	14 1/2" Dia	820 lbs
Beaumont B7	KB724	24' 0"	11 7/8"	4 1/2"	17 1/8"	12 1/2"	14 1/2" Dia	930 lbs
Beaumont B3	KB325	25' 0"	17 7/8"	6 7/8"	27"	20"	21" Dia	1520 lbs
Beaumont B3	KB330	30' 0"	17 7/8"	6 1/4"	27"	20"	21" Dia	1720 lbs
Beaumont B3	KB335	35' 0"	17 7/8"	5 3/4"	27"	20"	21" Dia	1950 lbs
Beaumont B3	KB340	40' 0"	17 7/8"	5 1/8"	27"	20"	21" Dia	2100 lbs

How to Catalog for Beaumont KB3 and KB7 Concrete Pole

Pole Style	Finish	Footing Details	Coating
KB7 KB3	E – Etched Finish	FBP – Flush Baseplate	NA – Non Acrylic A – Acrylic AG – Anti Graffiti Coating***
KB3 40'	E 40	FBP 140 30/30	GFI NA
Height KB7 – 10' - 24' KB3 – 25' - 40'	Color** 10 – Midnight Lace 11 – Eclipse Black 30 – Salt & Pepper 40 – Pearl Gray 90 – Saluki bronze	Tenon (Post Top Mount) Specify Tenon Size For example 140 30/30 = 2 7/8" OD & 3" long	Options* DR – Duplex Receptacle GFI – Ground Fault Duplex Receptacle SR – 1 Outlet LRN – Ladder Rest BPC – Base Plate Cover AB – Anchor Bolts BA – Banner Arms FH – Flag Holders

* Consult website for full listings. ** See decor colors on page 2 for full selection of colors.
***Anti Graffiti Coating is extra, consult factory for more details.



Footing Details

Baseplate Option 1: FBP

Typically pole is set 2" - 3" below grade to hide anchor bolts

Galvanized Anchor Bolts (55,000 PSI min. yield)
KB7 - 10-24 - 3/4" x 24"
KB3 - 25-40 - 1" x 36"

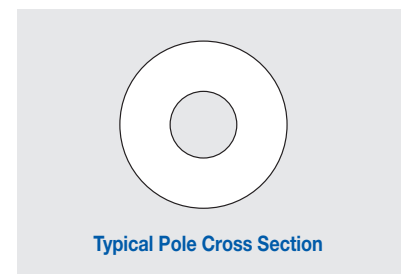
Foundation by others

Slots on a "BCD" dia. slot size
KB7 - 7/8" x 1-1/2"
KB3 - 1-1/4" x 1-1/2"

"P"

Wire Access Hole

Hot dipped galvanized baseplate x "FBP" sq
KB7 - 10-24 - 3/4" thick
KB3 - 25-40 - 1-1/4" thick



Specification Details - Beaumont B8

Description	Catalog Number	"A" Pole Height Above Grade	Base Diameter	"D" Tip Dimension	Base Height	Pole Weight Base Plate
Beaumont B8	KB810	10' 0"	13 3/4"	6 1/4"	17 5/8"	580 lbs
Beaumont B8	KB812	12' 0"	13 3/4"	6"	17 5/8"	640 lbs
Beaumont B8	KB815	15' 0"	13 3/4"	5 5/8"	17 5/8"	730 lbs
Beaumont B8	KB820	20' 0"	13 3/4"	5"	17 5/8"	830 lbs
Beaumont B8	KB824	24' 0"	13 3/4"	4 1/2"	17 5/8"	960 lbs

How to Catalog for Beaumont KB8 Concrete Pole

Pole Style	Finish	Footing Details	Coating
KB8	E – Etched Finish	FBP – Flush Baseplate	NA – Non Acrylic A – Acrylic AG – Anti Graffiti Coating***
KB8	E	FBP	NA
10'	40	140 30/30	GFI
Height	Color**	Tenon (Post Top Mount)	Options*
10' - 24'	10 – Midnight Lace 11 – Eclipse Black 30 – Salt & Pepper 40 – Pearl Gray 90 – Saluki bronze	Specify Tenon Size For example 140 30/30 = 2 7/8" OD & 3" long	DR – Duplex Receptacle GFI – Ground Fault Duplex Receptacle SR – 1 Outlet LRN – Ladder Rest BPC – Base Plate Cover AB – Anchor Bolts BA – Banner Arms FH – Flag Holders

* Consult website for full listings. ** See decolor on page 2 for full selection of colors.
***Anti Graffiti Coating is extra, consult factory for more details.

Footing Details

Baseplate Option 1: FBP

Typically pole is set 2" - 3" below grade to hide anchor bolts

Galvanized Anchor Bolts (55,000 PSI min. yield) KB8 - 1" x 36"

Foundation by others

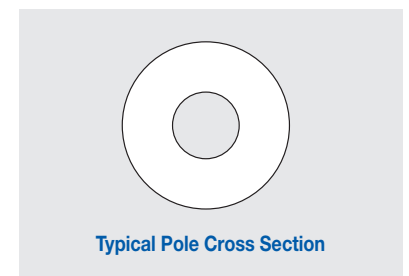
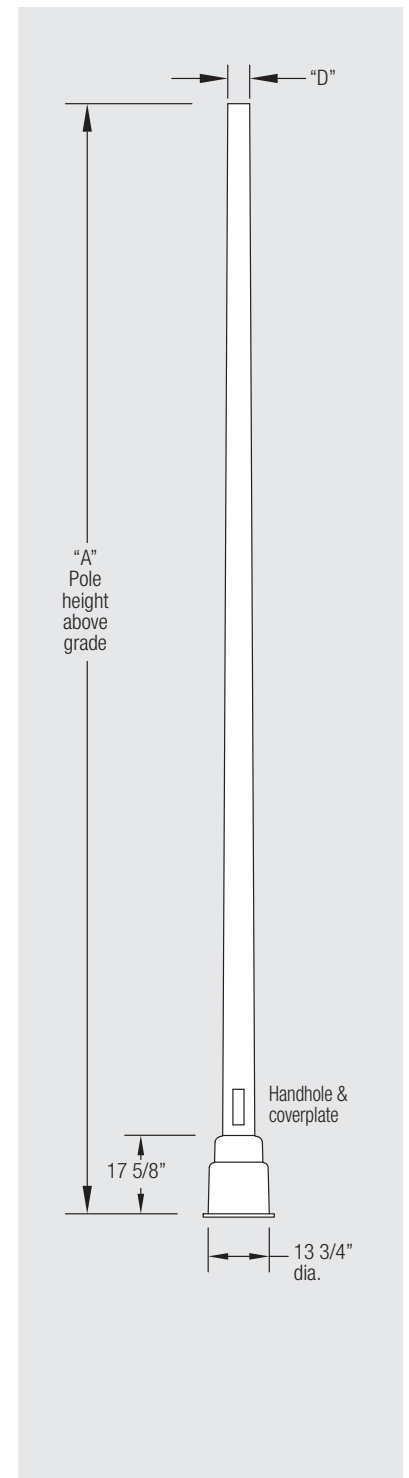
16" sq

17 5/8"

1-1/4" x 1-1/2" Slots on a 17" Diameter Bolt Circle

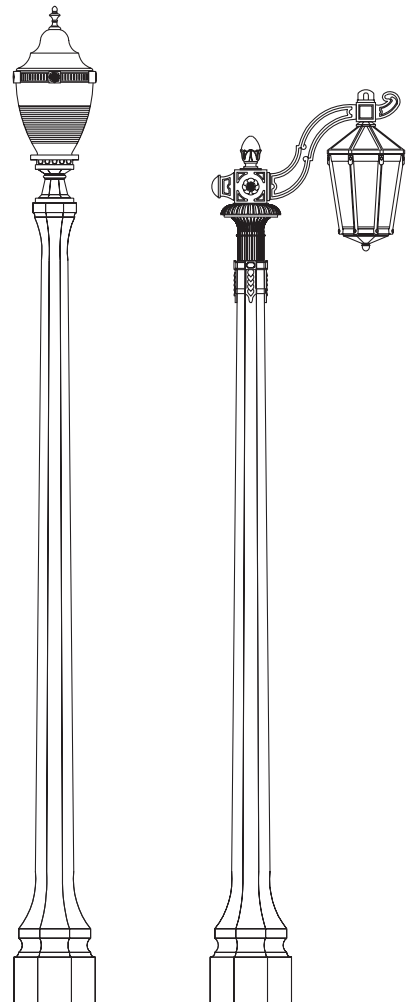
Wire Access Hole

Hot dipped galvanized baseplate 1" x 16" sq



THE BELMONT

This gracefully proportioned pole was originally produced as a slightly upscaled version of the Sheridan. The two poles are, of course, very similar, with the Belmont showing more architectural detail around the base, which identified it as the original top of the line. It was a popular choice of universities and campuses, especially in the midwest. Many still have their original installations in service. It is available in heights from 5' to 30' as well as a lighted and nonlighted bollard.



Specification Details*

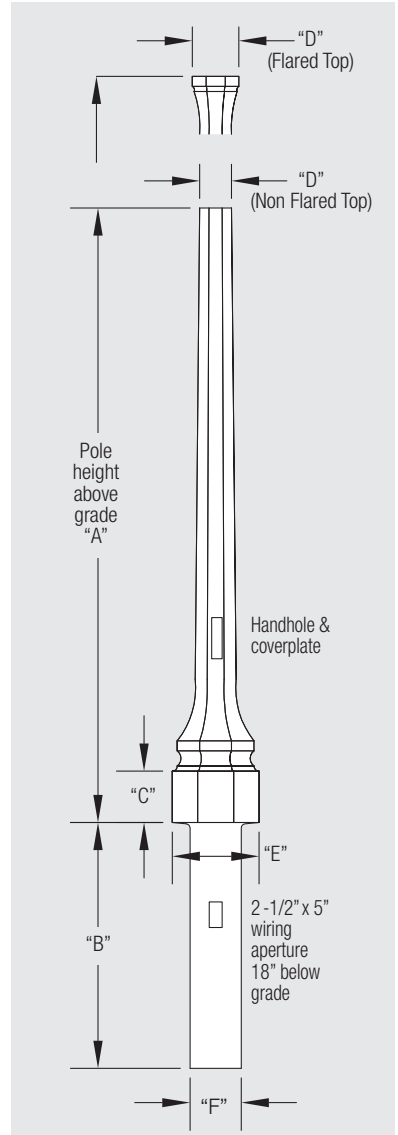
Description	Catalog Number	"A" Pole Height Above Grade	"D" Tip Dimension	"C" Stepped Section Height	"E" Flare	"B" Direct Burial Length & "F" Dia.	Pole Weight Direct Burial	Pole Weight Base Plate
Belmont Flared Top 11'	KBF11	11' 0"	9"	6"	18"	4' 6" x 9 1/2"	1050 lbs	850 lbs
Belmont Non Flared Top 12'	KBC12	12' 0"	5 3/4"	10"	17"	4' 6" x 9 1/2"	1300 lbs	1100 lbs
Belmont Flared Top 14'	KBC14	13' 11"	9"	10"	17"	4' 6" x 9 1/2"	1370 lbs	1170 lbs
Belmont Non Flared Top 18'	KBH18	18' 0"	6 1/4"	10"	18"	5' 0" x 9 1/2"	1500 lbs	1300 lbs
Belmont Non Flared Top 20'	KBH20	20' 0"	6"	10"	18"	5' 0" x 9 1/2"	1600 lbs	1400 lbs
Belmont Non Flared Top 22'	KBH22	22' 0"	5 3/4"	10"	18"	5' 0" x 9 1/2"	1700 lbs	1500 lbs
Belmont Non Flared Top 25'	KBH25	25' 0"	5 3/8"	10"	18"	5' 0" x 9 1/2"	1800 lbs	1600 lbs
Belmont Non Flared Top 30'	KBH30	30' 0"	4 3/4"	10"	18"	5' 0" x 9 1/2"	1900 lbs	1700 lbs

* Bollard specification details can be found on our website

How to Catalog for Belmont Concrete Pole

Pole Style	Finish	Footing Details	Coating
KBF KBC KBH	E – Etched Finish S – Polished Finish	DB – Direct Buried FBP – Flush Baseplate SBP – Stub Baseplate	NA – Non Acrylic A – Acrylic AG – Anti Graffiti Coating***
KBH 30'	E 40	DB 140 30/30	GFI NA
Height 5' - 30'	Color** 10 – Midnight Lace 11 – Eclipse Black 30 – Salt & Pepper 40 – Pearl Gray 90 – Saluki bronze	Tenon (Post Top Mount) Specify Tenon Size For example 140 30/30 = 2 7/8" OD & 3" long	Options* DR – Duplex Receptacle GFI – Ground Fault Duplex Receptacle SR – 1 Outlet LRN – Ladder Rest BPC – Base Plate Cover AB – Anchor Bolts BA – Banner Arms FH – Flag Holders

* Consult website for full listings. ** See decor colors on page 2 for full selection of colors.
***Anti Graffiti Coating is extra, consult factory for more details.

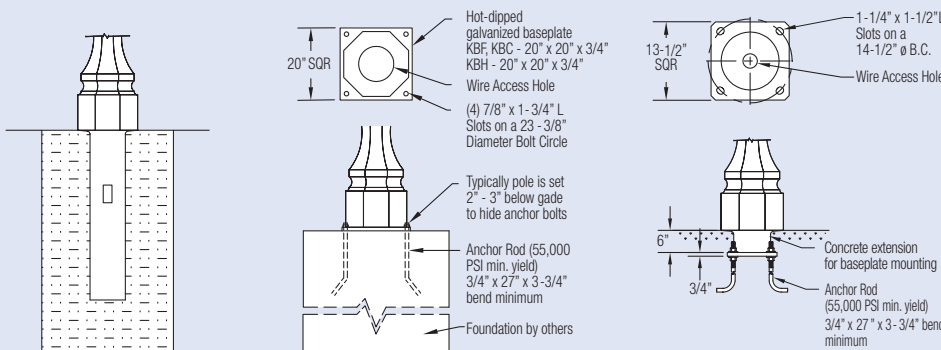


Footing Details

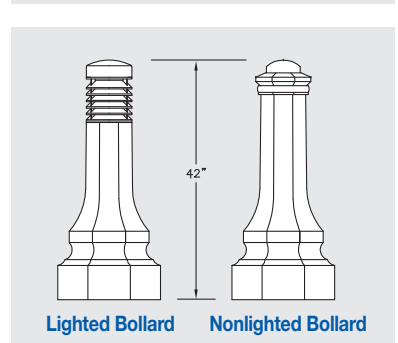
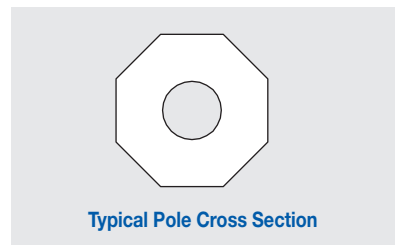
Direct Buried

(Simple and Cost Effective)

1. Auger the setting hole.
2. Set pole in hole and plumb straight.
3. Backfill* with required backfill tamping every 4" to 6".

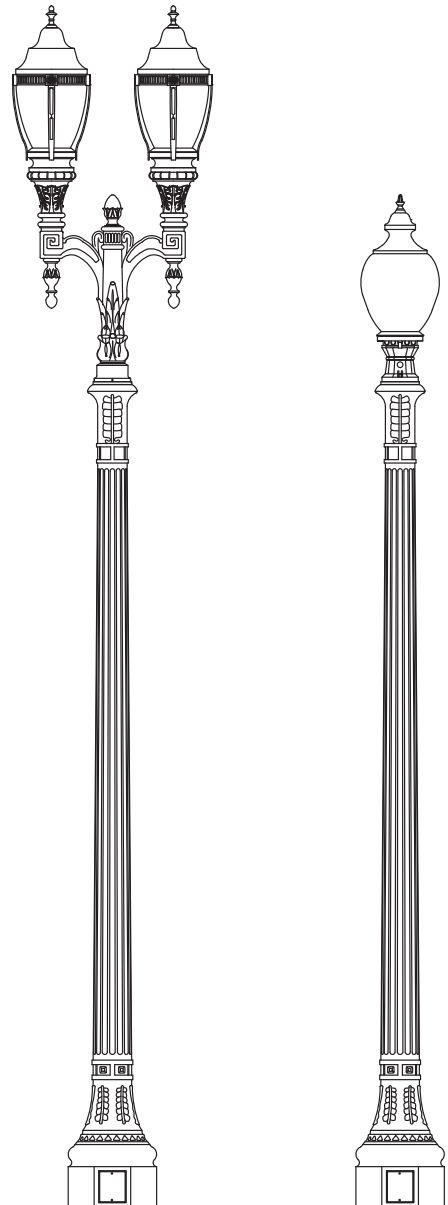


*Generally the excavated material can be used for backfill, in some situations better backfill may be required.



THE CALIFORNIA

One of our most ornate concrete poles, the California pole is truly a work of art. This embellished ornamental pole with hints of Greek styling offers a 15 fluted shaft with very high definition elements including leaf and floral details. Available in three mounting configurations, it will be a great fit for streetscapes or residential applications. The California pole is available in an above grade height of 15' 1.5".



Specification Details

Description	Catalog Number	"A" Pole Height Above Grade	"D" Tip Dimension	"B" Direct Burial Length & "F" Dia.	Pole Weight Direct Burial	Pole Weight Base Plate
California 15'	KCA15	15' 1 1/2"	11"	4' 6" x 10"	1100 lbs	900 lbs

Other heights may be available. Contact Factory.

How to Catalog for California Concrete Pole

Pole Style	Finish	Footing Details	Coating
KCA	E – Etched Finish	DB – Direct Buried FBP – Flush Baseplate SBP – Stub Baseplate	NA – Non Acrylic A – Acrylic AG – Anti Graffiti Coating***
KCA	E	DB	NA
15'	40	140 30/30	GFI
Height 15' 1.5"	Color** 10 – Midnight Lace 11 – Eclipse Black 30 – Salt & Pepper 40 – Pearl Gray 90 – Saluki bronze	Tenon (Post Top Mount) Specify Tenon Size For example 140 30/30 = 2 7/8" OD & 3" long	Options* DR – Duplex Receptacle GFI – Ground Fault Duplex Receptacle SR – 1 Outlet LRN – Ladder Rest BPC – Base Plate Cover AB – Anchor Bolts BA – Banner Arms (clamp on only) FH – Flag Holders (clamp on only)

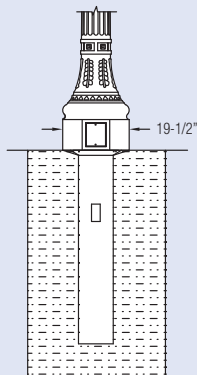
* Consult website for full listings. ** See decor colors on page 2 for full selection of colors.
***Anti Graffiti Coating is extra, consult factory for more details.

Footing Details

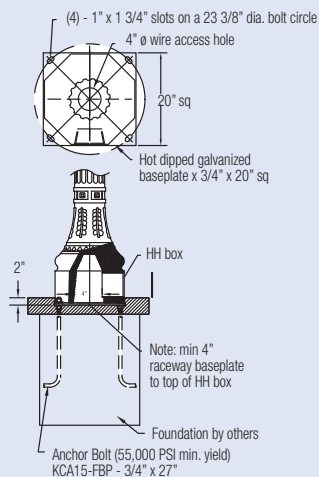
Direct Buried

(Simple and Cost Effective)

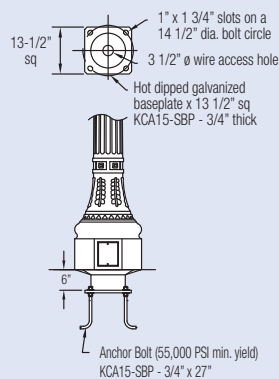
1. Auger the setting hole.
2. Set pole in hole and plumb straight.
3. Backfill* with required backfill tamping every 4" to 6".



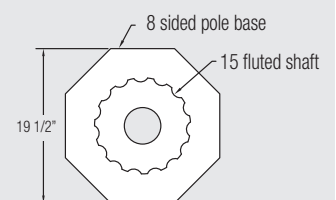
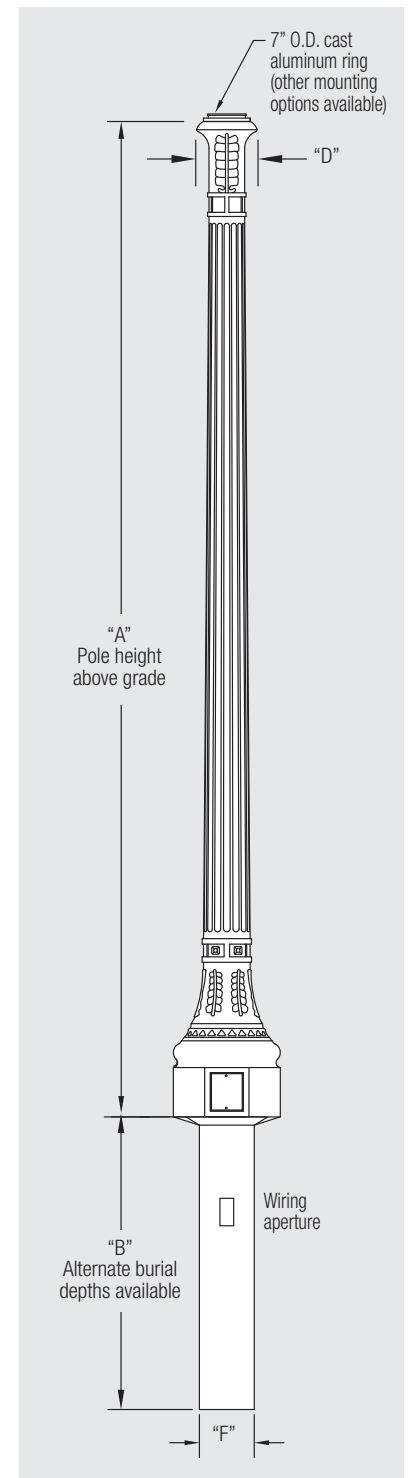
Baseplate Option 1: FBP



Baseplate Option 2: SBP



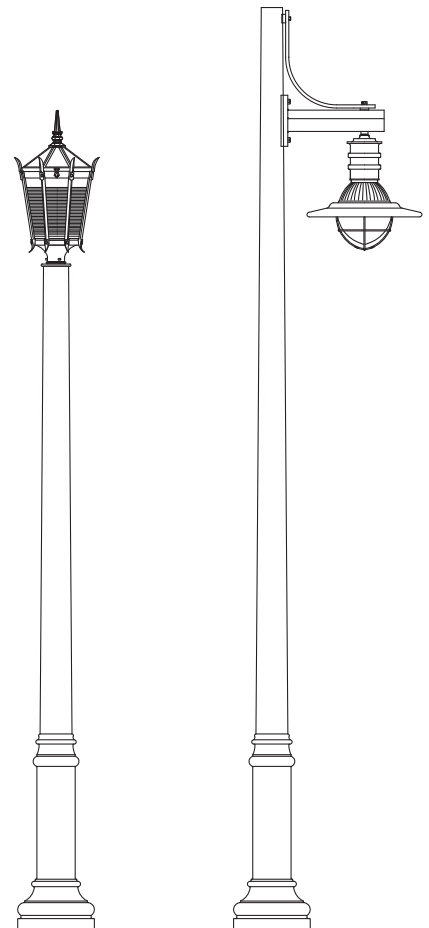
*Generally the excavated material can be used for backfill, in some situations better backfill may be required.



Typical Pole Cross Section

THE CANTERBURY

While neither strictly traditional nor contemporary in appearance, the Canterbury family of spun concrete poles incorporates echoes of both and can be found on a wide spectrum of projects. The clean, classical lines of this design ensure that the Canterbury will be equally at home in residential subdivisions, city parks or commercial settings. Available in heights from 5' to 30', it is especially effective in downtown or waterfront relighting situations, adding ambience, while at the same time addressing both arterial and pedestrian lighting needs. Available with an etched finish in all of StressCrete's beautiful decor colors, the Canterbury will never fall short of expectations.



Specification Details*

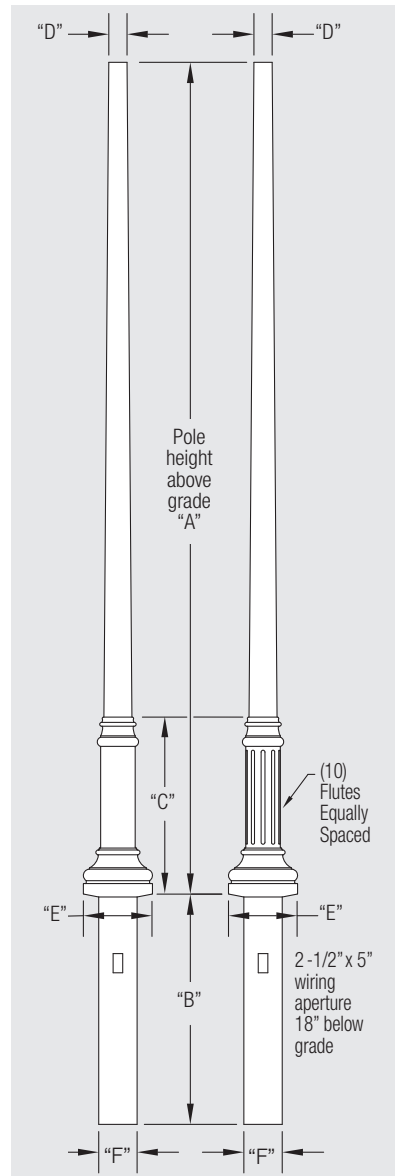
Description	Catalog Number	"A" Pole Height Above Grade	"D" Tip Dimension	"C" Stepped Section Height	"E" Flare	"B" Direct Burial Length & "F" Dia.	Pole Weight Direct Burial	Pole Weight Base Plate
Canterbury 10'	KYC10	10' 0"	6 1/8"	46"	18"	5' 0" x 10"	1000 lbs	795 lbs
Canterbury 13'	KYC13	13' 0"	5 5/8"	46"	18"	5' 0" x 10"	1040 lbs	835 lbs
Canterbury 15'	KYC15	15' 0"	5 1/4"	46"	18"	5' 0" x 10"	1100 lbs	895 lbs
Canterbury 18'	KYC18	18' 0"	4 3/4"	46"	18"	5' 0" x 10"	1170 lbs	965 lbs
Canterbury 20'	KYH20	20' 0"	6 3/4"	56"	22"	5' 0" x 12"	1925 lbs	1655 lbs
Canterbury 25'	KYH25	25' 0"	5 7/8"	56"	22"	5' 0" x 12"	2175 lbs	1905 lbs
Canterbury 30'	KYH30	30' 0"	5"	56"	22"	5' 0" x 12"	2425 lbs	2155 lbs

* Bollard specification details can be found on our website

How to Catalog for Canterbury Concrete Pole

Pole Style	Detail	Finish	Footing Details	Coating
KYC KYH	F – Fluted NF – Non Fluted	E – Etched Finish	DB – Direct Buried FBP – Flush Baseplate SBP – Stub Baseplate	NA – Non Acrylic A – Acrylic AG – Anti Graffiti Coating***
KYH	F	E	DB	NA
Height 5' - 30'		Color** 10 – Midnight Lace 11 – Eclipse Black 30 – Salt & Pepper 40 – Pearl Gray 90 – Saluki bronze	Tenon (Post Top Mount) Specify Tenon Size For example 140 30/30 = 2 7/8" OD & 3" long	Options* DR – Duplex Receptacle GFI – Ground Fault Duplex Receptacle SR – 1 Outlet LRN – Ladder Rest BPC – Base Plate Cover AB – Anchor Bolts BA – Banner Arms FH – Flag Holders

* Consult website for full listings. ** See decor colors on page 2 for full selection of colors.
***Anti Graffiti Coating is extra, consult factory for more details.

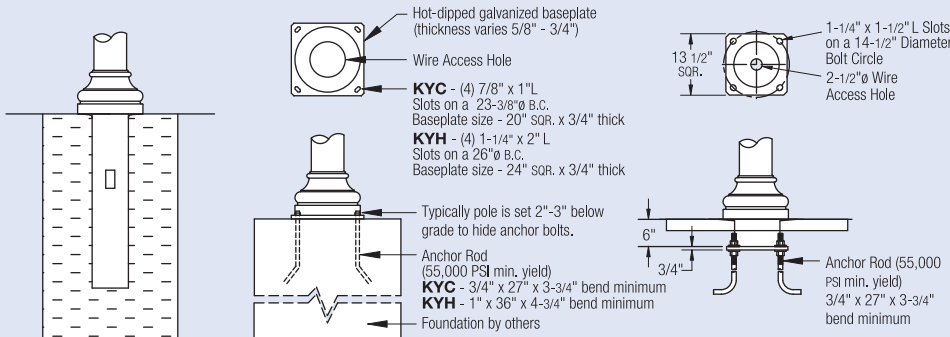


Footing Details

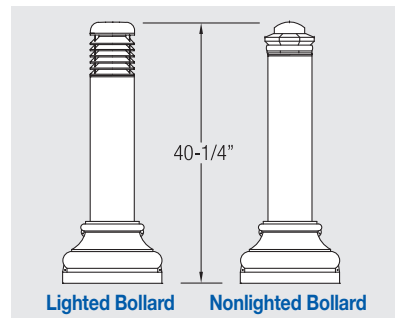
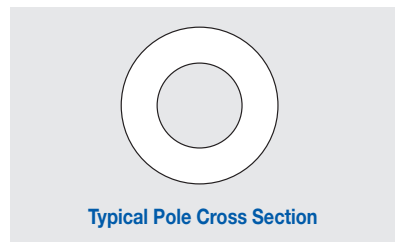
Direct Buried

(Simple and Cost Effective)

1. Auger the setting hole.
2. Set pole in hole and plumb straight.
3. Backfill* with required backfill tamping every 4" to 6".

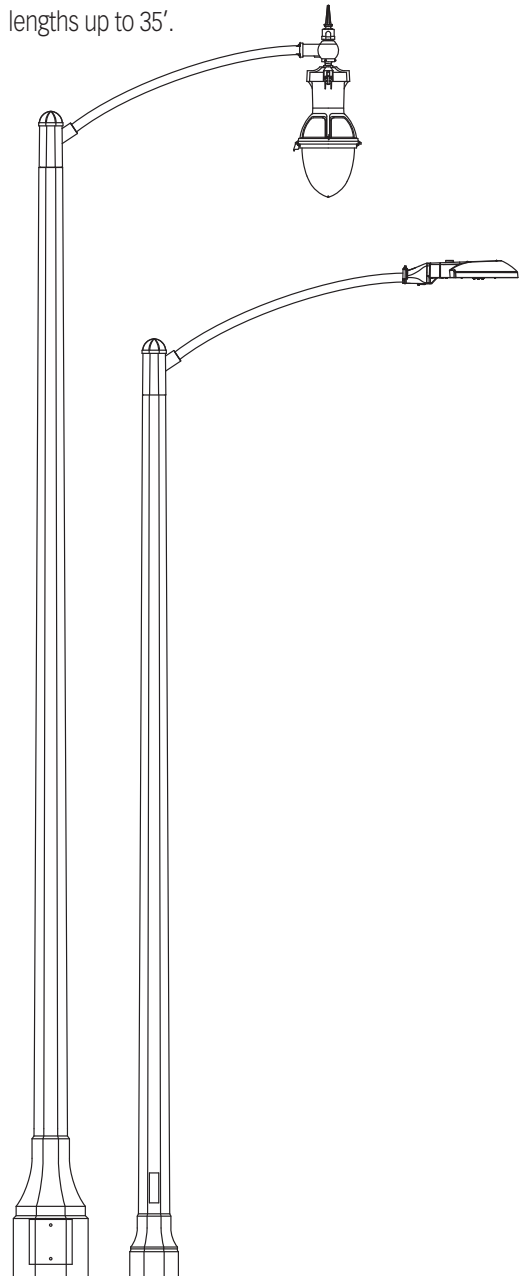


*Generally the excavated material can be used for backfill, in some situations better backfill may be required.



THE CENTENNIAL

The classic lines of both the Centennial C1 and Centennial C2 make this family suitable for many applications and the perfect fit for many of King Luminaire's decorative post top and pendant luminaires. The C1 Centennial offers a stepped Octagonal 13" base with a tapered Octagonal pole shaft available in lengths up to 30'. The C2 Centennial has a larger base and is available in lengths up to 35'.



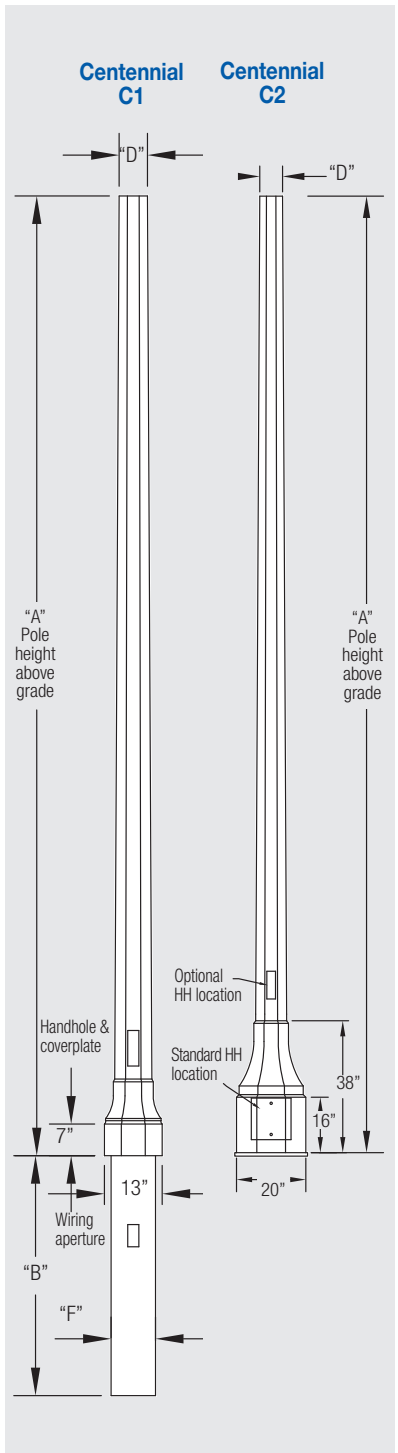
Specification Details

Description	Catalog Number	"A" Pole Height Above Grade	"D" Tip Dimension	"B" Direct Burial Length & "F" Dia.	Pole Weight Direct Burial	Pole Weight Base Plate
Centennial C1	KCT112	12' 0"	7"	4' 6" x 10"	1050 lbs	850 lbs
Centennial C1	KCT115	15' 0"	6 3/4"	4' 6" x 10"	1150 lbs	950 lbs
Centennial C1	KCT118	18' 0"	6 3/8"	5' 0" x 10"	1280 lbs	1050 lbs
Centennial C1	KCT120	20' 0"	6 1/8"	5' 0" x 10"	1380 lbs	1150 lbs
Centennial C1	KCT122	22' 0"	5 7/8"	5' 0" x 10"	1480 lbs	1250 lbs
Centennial C1	KCT125	25' 0"	5 1/2"	5' 0" x 10"	1600 lbs	1370 lbs
Centennial C1	KCT130	30' 0"	5"	5' 0" x 10"	1750 lbs	1520 lbs
Centennial C2	KCT212	12' 0"	7 7/8"	N/A	N/A	1200 lbs
Centennial C2	KCT215	15' 0"	7 1/2"	N/A	N/A	1300 lbs
Centennial C2	KCT218	18' 0"	7 1/8"	N/A	N/A	1400 lbs
Centennial C2	KCT220	20' 0"	7"	N/A	N/A	1500 lbs
Centennial C2	KCT222	22' 0"	6 3/4"	N/A	N/A	1600 lbs
Centennial C2	KCT225	25' 0"	6 3/8"	N/A	N/A	1700 lbs
Centennial C2	KCT230	30' 0"	5 3/4"	N/A	N/A	1800 lbs
Centennial C2	KCT235	35' 0"	5 1/8"	N/A	N/A	1900 lbs

How to Catalog for Centennial C1 & C2 Concrete Pole

Pole Style	Finish	Footing Details	Coating
KCT1 ¹ KCT2 ²	E – Etched Finish S – Polished Finish	DB – Direct Buried ³ FBP – Flush Baseplate SBP – Stub Baseplate ³	NA – Non Acrylic A – Acrylic AG – Anti Graffiti Coating***
KCT1	E	DB	GFI
30'	40	140 30/30	NA
Height	Color**	Tenon (Post Top Mount)	Options*
12' - 35'	10 – Midnight Lace 11 – Eclipse Black 30 – Salt & Pepper 40 – Pearl Gray 90 – Saluki bronze	Specify Tenon Size For example 140 30/30 = 2 7/8" OD & 3" long	DR – Duplex Receptacle GFI – Ground Fault Duplex Receptacle SR – 1 Outlet LRN – Ladder Rest BPC – Base Plate Cover AB – Anchor Bolts BA – Banner Arms FH – Flag Holders

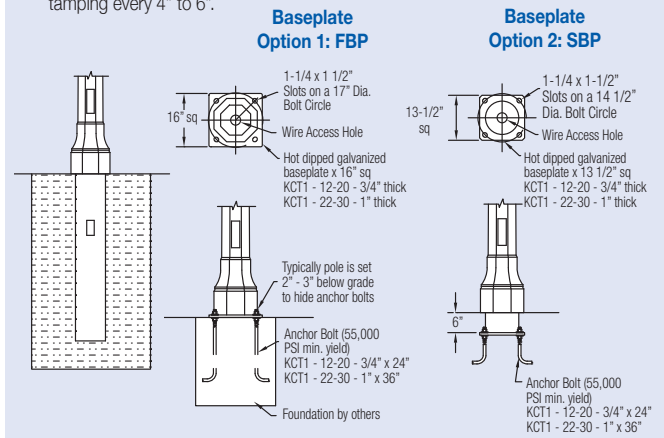
* Consult website for full listings. ** See decor colors on page 2 for full selection of colors.
***Anti Graffiti Coating is extra, consult factory for more details.
¹ 12'-30' ² 12'-35' ³ only available for C1



Footing Details - Centennial C1

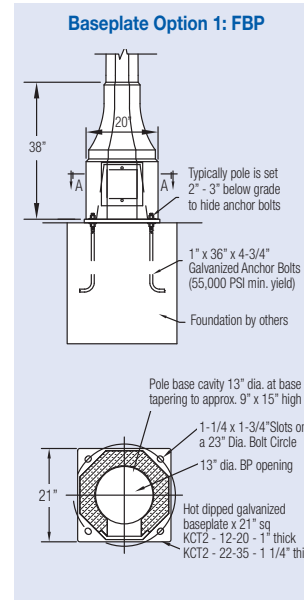
Direct Buried (Simple and Cost Effective)

1. Auger the setting hole.
2. Set pole in hole and plumb straight.
3. Backfill* with required backfill tamping every 4" to 6".



*Generally the excavated material can be used for backfill, in some situations better backfill may be required.

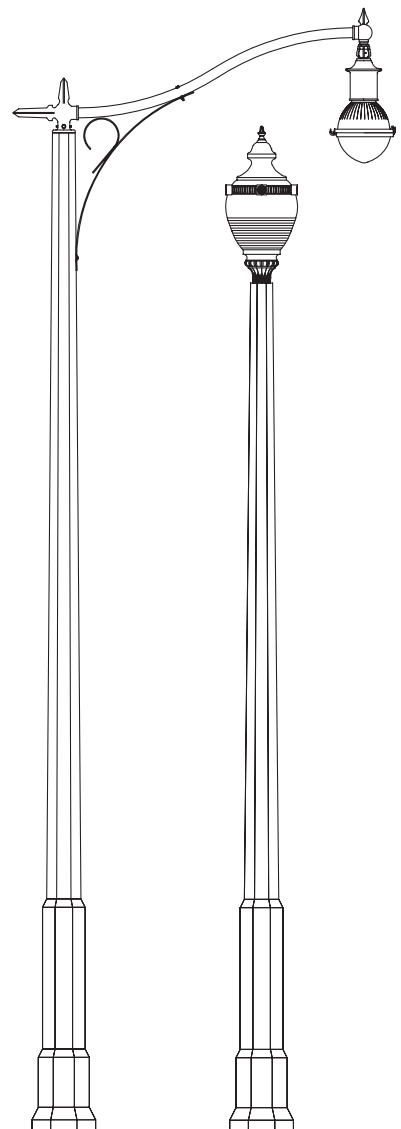
Centennial C2



Typical Pole Cross Section

THE CLASSIC

The essence of yesteryear is captured in the Classic – the modern pole with a touch of nostalgia. The availability of height above grade from 5'-31' enables the designer to adopt an integrated theme through an entire development. The Coachman (12'-15') is common in intimate settings while the Highwayman (18'-27') and Roadway (31') have a splendid effect on arterial roads or commercial areas. The Classic is also available as a lighted or nonlighted bollard.



Specification Details*

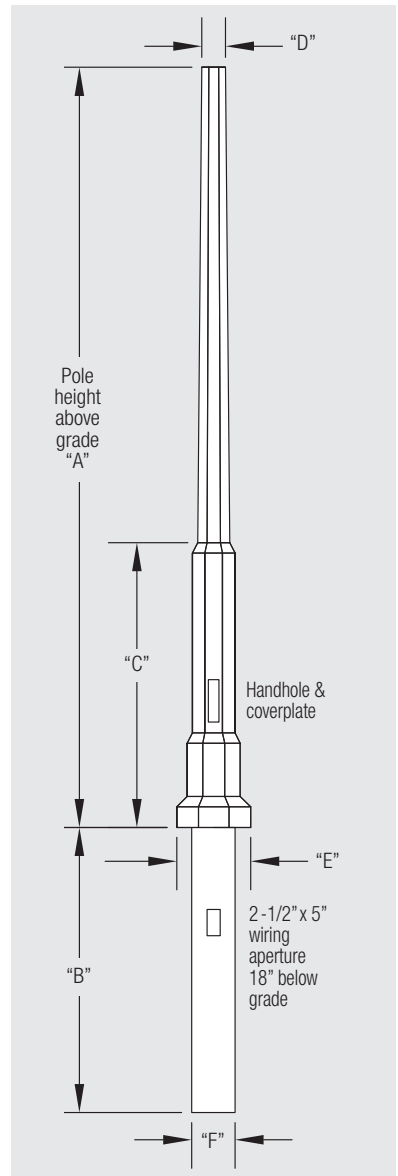
Description	Catalog Number	"A" Pole Height Above Grade	"D" Tip Dimension	"C" Stepped Section Height	"E" Flare	"B" Direct Burial Length & "F" Dia.	Pole Weight Direct Burial	Pole Weight Base Plate	
Classic	12'	KCC12	12' 0"	4 1/2"	4' 6"	14"	4' 7" x 8 1/4"	975 lbs	800 lbs
Classic	15'	KCC15	15' 0"	4"	4' 6"	14"	4' 7" x 8 1/4"	1050 lbs	865 lbs
Classic	18'	KCH18	18' 0"	5 1/8"	4' 7"	15 5/16"	5' 0" x 9 1/4"	1100 lbs	920 lbs
Classic	20'	KCH20	20' 0"	4 3/4"	4' 7"	15 5/16"	5' 0" x 9 1/4"	1200 lbs	1020 lbs
Classic	22'	KCH22	22' 0"	5 3/8"	4' 7"	16"	5' 0" x 10"	1425 lbs	1025 lbs
Classic	25'	KCH25	25' 0"	4 3/4"	4' 7"	16"	5' 0" x 10"	1600 lbs	1400 lbs
Classic	27'	KCH27.5	27' 6"	4 1/2"	4' 7"	16"	5' 0" x 10"	1700 lbs	1500 lbs
Classic	31'	KCR31.5	31' 4"	5 1/8"	5' 5"	19"	7' 0" x 12"	2550 lbs	2200 lbs

* Bollard specification details can be found on our website

How to Catalog for Classic Concrete Pole

Pole Style	Finish	Footing Details	Coating
KCC KCH KCR	E – Etched Finish S – Polished Finish	DB – Direct Buried FBP – Flush Baseplate SBP – Stub Baseplate	NA – Non Acrylic A – Acrylic AG – Anti Graffiti Coating***
KCR 31.5'	E 40	DB 140 30/30	GFI NA
Height 5' - 31'4"	Color** 10 – Midnight Lace 11 – Eclipse Black 30 – Salt & Pepper 40 – Pearl Gray 90 – Saluki bronze	Tenon (Post Top Mount) Specify Tenon Size For example 140 30/30 = 2 7/8" OD & 3" long	Options* DR – Duplex Receptacle GFI – Ground Fault Duplex Receptacle SR – 1 Outlet LRN – Ladder Rest BPC – Base Plate Cover AB – Anchor Bolts BA – Banner Arms FH – Flag Holders

* Consult website for full listings. ** See decor colors on page 2 for full selection of colors.
***Anti Graffiti Coating is extra, consult factory for more details.

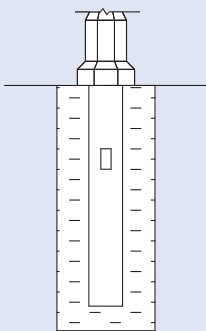


Footing Details

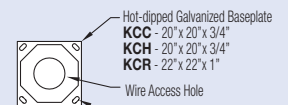
Direct Buried

(Simple and Cost Effective)

1. Auger the setting hole.
2. Set pole in hole and plumb straight.
3. Backfill* with required backfill tamping every 4" to 6".

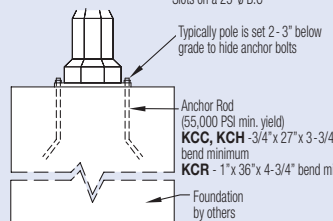


Baseplate Option 1: FBP

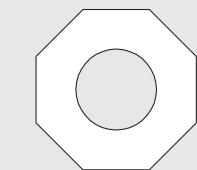
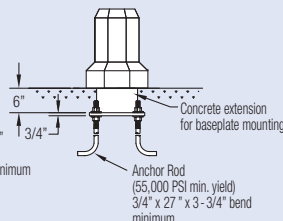
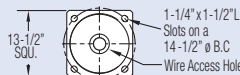


KCC, KCH - (4) 7/8" x 1-3/4" L Slots on a 23-3/8" B.C
KCR - (4) 1-1/4" x 2" L Slots on a 25" B.C

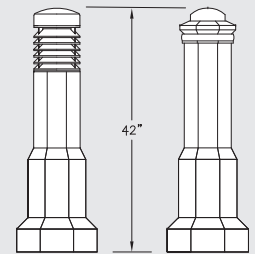
Typically pole is set 2-3" below grade to hide anchor bolts



Baseplate Option 2: SBP



Typical Pole Cross Section

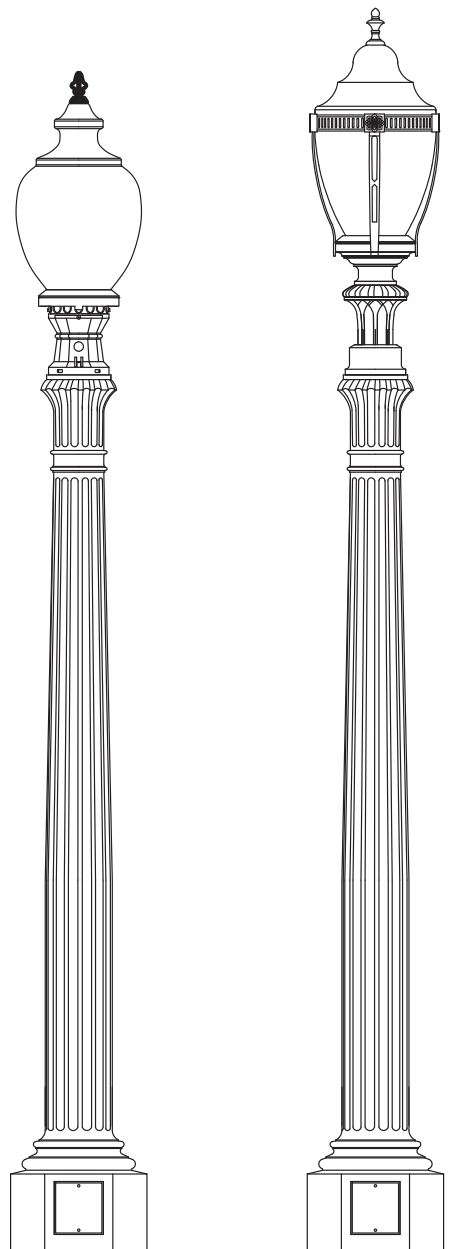


Lighted Bollard Nonlighted Bollard

*Generally the excavated material can be used for backfill, in some situations better backfill may be required.

THE IONIC

The Ionic decorative concrete pole has a unique look that will make any architectural lighting project stand out. Its 15 fluted shaft and ornate historical styling dates back to the early 1900's. From top to bottom, not a detail has been missed, and it is the perfect fit for one of King Luminaire's decorative post top fixtures. It is available in an above grade height of 10'.



Specification Details

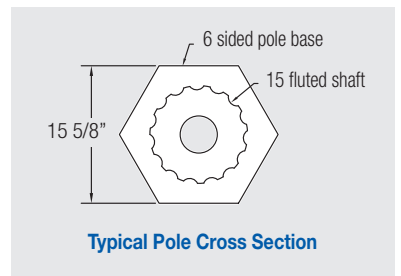
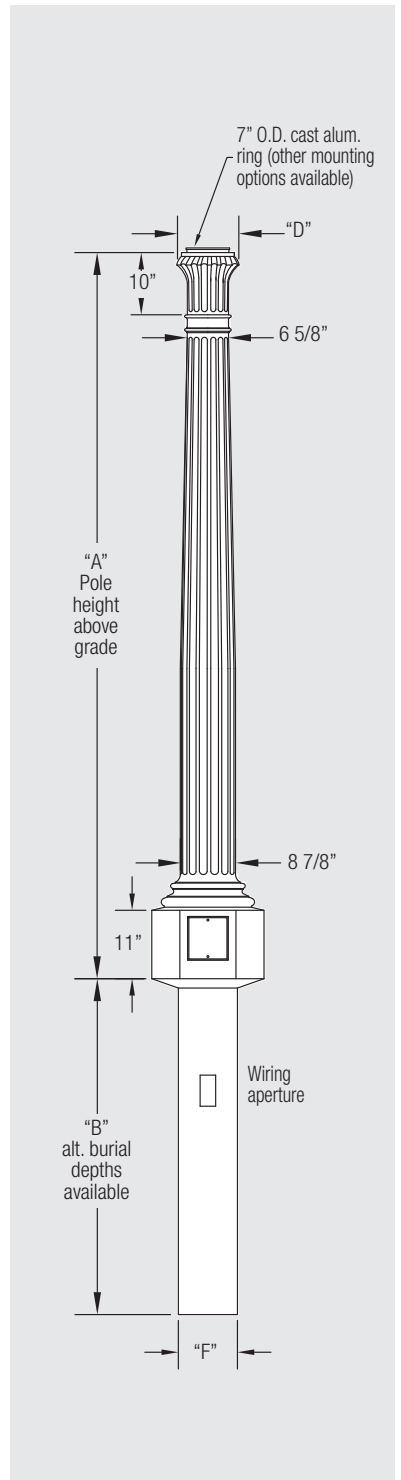
Description	Catalog Number	"A" Pole Height Above Grade	"D" Tip Dimension	"B" Direct Burial Length & "F" Dia.	Pole Weight Direct Burial	Pole Weight Base Plate
Ionic 10'	KIC10	9' 9"	10"	4' 6" x 9 1/2"	860 lbs	655 lbs

Other heights may be available. Contact factory.

How to Catalog for Ionic Concrete Pole

Pole Style	Finish	Footing Details	Coating
KIC	E – Etched Finish	DB – Direct Buried FBP – Flush Baseplate SBP – Stub Baseplate	NA – Non Acrylic A – Acrylic AG – Anti Graffiti Coating***
KIC 10'	E 40	DB 140 30/30	GFI NA
Height 9' 9"	Color** 10 – Midnight Lace 11 – Eclipse Black 30 – Salt & Pepper 40 – Pearl Gray 90 – Saluki bronze	Tenon (Post Top Mount) Specify Tenon Size For example 140 30/30 = 2 7/8" OD & 3" long	Options* DR – Duplex Receptacle GFI – Ground Fault Duplex Receptacle SR – 1 Outlet LRN – Ladder Rest BPC – Base Plate Cover AB – Anchor Bolts BA – Banner Arms (clamp on only) FH – Flag Holders (clamp on only)

* Consult website for full listings. ** See decor colors on page 2 for full selection of colors.
***Anti Graffiti Coating is extra, consult factory for more details.

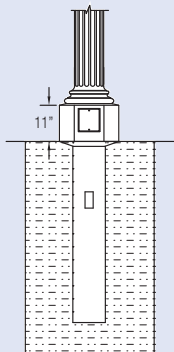


Footing Details

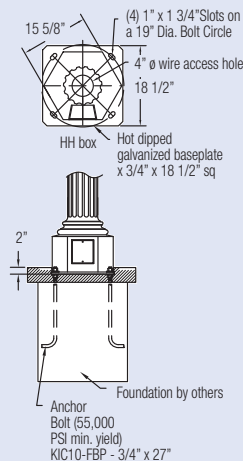
Direct Buried

(Simple and Cost Effective)

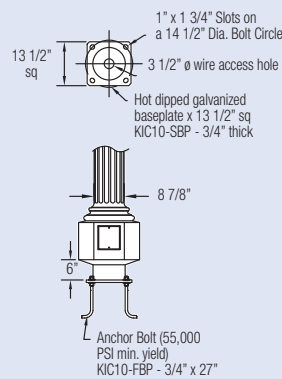
1. Auger the setting hole.
2. Set pole in hole and plumb straight.
3. Backfill* with required backfill tamping every 4" to 6".



Baseplate Option 1: FBP



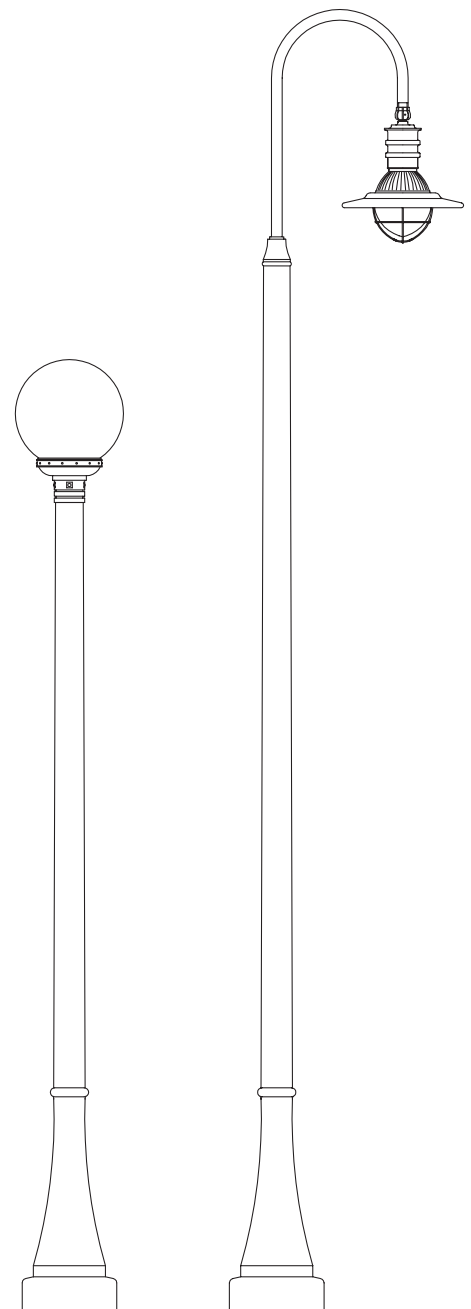
Baseplate Option 2: SBP



*Generally the excavated material can be used for backfill, in some situations better backfill may be required.

THE KENSINGTON

Offering a timeless blend of symmetry and simplicity, the Kensington will bring style and distinction to any project. Although a recent design, this gracefully proportioned pole bears all of the earmarks of a classic. It is available in heights from 5' to 33' 9".



Specification Details

Description	Catalog Number	"A" Pole Height Above Grade	"D" Tip Dimension	"B" Direct Burial Length & "F" Dia.	Pole Weight Direct Burial	Pole Weight Base Plate
Kensington 15'	KK15	15' 0"	6 1/4"	5' 0" x 10"	1515 lbs	1360 lbs
Kensington 18'	KK18	18' 0"	6"	5' 0" x 10"	1600 lbs	1445 lbs
Kensington 20'	KK20	20' 0"	5 7/8"	5' 0" x 10"	1655 lbs	1500 lbs
Kensington 25'	KK25	25' 0"	5 1/2"	5' 0" x 10"	1780 lbs	1625 lbs
Kensington 30'	KK30	30' 0"	5"	5' 7" x 10"	1920 lbs	1735 lbs
Kensington 34'	KK339	33' 9"	4 3/4"	5' 7" x 10"	2000 lbs	1815 lbs

How to Catalog for Kensington Concrete Pole

Pole Style

KK

KK **30'**

Height

5' - 33'9"

Finish

E - Etched Finish

E **40**

Color**

10 - Midnight Lace
11 - Eclipse Black
30 - Salt & Pepper
40 - Pearl Gray
90 - Saluki bronze

Footing Details

DB - Direct Buried
FBP - Flush Baseplate
SBP - Stub Baseplate

DB **140 30/30**

Tenon (Post Top Mount)

Specify Tenon Size

For example 140 30/30 = 2 7/8" OD & 3" long

Coating

NA - Non Acrylic
A - Acrylic
AG - Anti Graffiti Coating***

GFI **NA**

Options*

DR - Duplex Receptacle
GFI - Ground Fault Duplex Receptacle
SR - 1 Outlet
LRN - Ladder Rest
BPC - Base Plate Cover
AB - Anchor Bolts
BA - Banner Arms
FH - Flag Holders

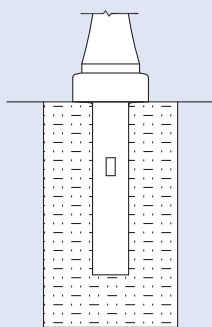
* Consult website for full listings. ** See decor colors on page 2 for full selection of colors.
***Anti Graffiti Coating is extra, consult factory for more details.

Footing Details

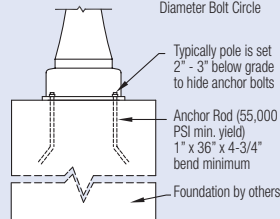
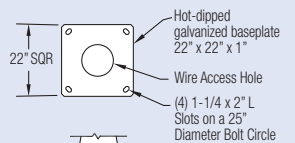
Direct Buried

(Simple and Cost Effective)

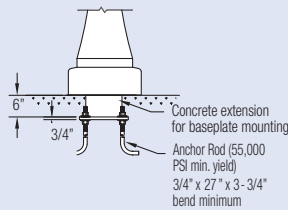
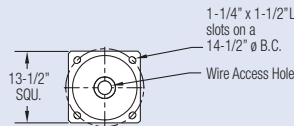
1. Auger the setting hole.
2. Set pole in hole and plumb straight.
3. Backfill* with required backfill tamping every 4" to 6".



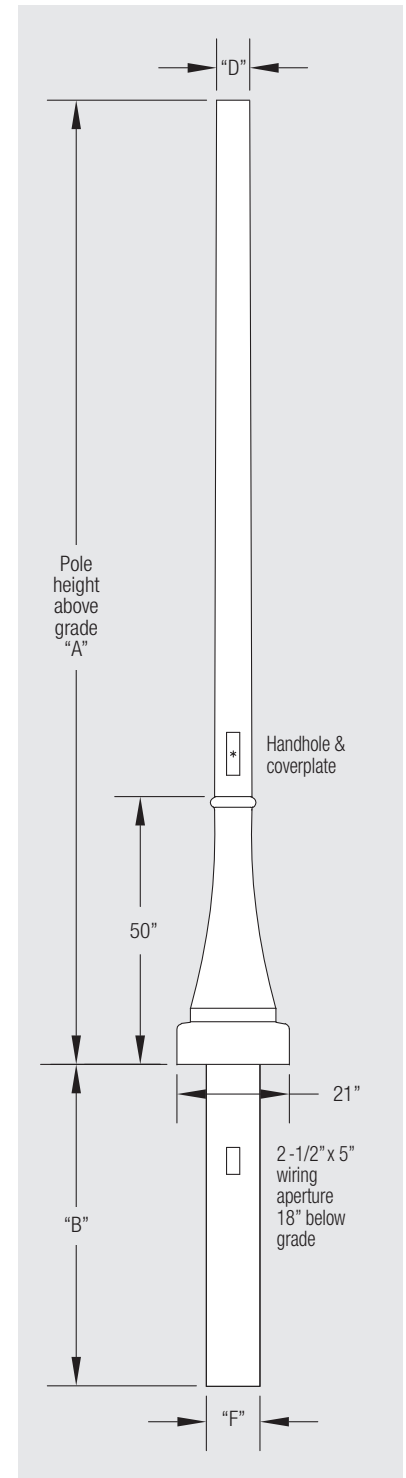
Baseplate Option 1: FBP



Baseplate Option 2: SBP



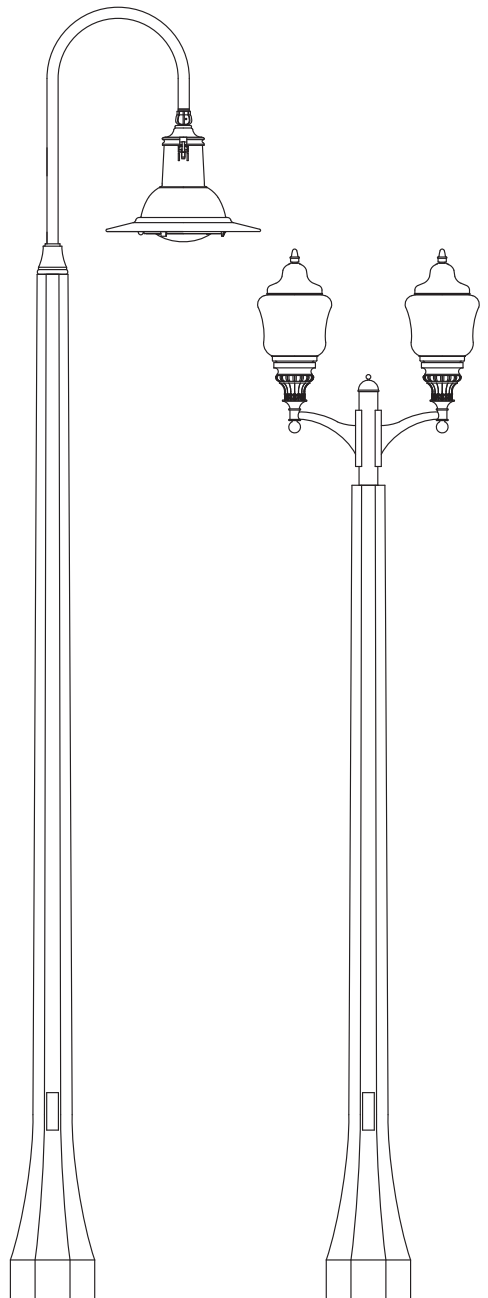
*Generally the excavated material can be used for backfill, in some situations better backfill may be required.



Typical Pole Cross Section

THE LORRAINE

The Lorraine has similar lines as our Memphis family, but with a smoother flowing profile. This Octagonal tapered pole with an 18" flat to flat stepped base is available in all of our decor colors and finishes in heights up to 30', making it an ideal choice for outdoor street-lighting specifiers.



Specification Details

Description	Catalog Number	"A" Pole Height Above Grade	"D" Tip Dimension	"B" Direct Burial Length & "F" Dia.	Pole Weight Direct Burial	Pole Weight Base Plate
Lorraine 12'	KL12	12' 0"	7 3/8"	4' 6" x 9 3/4"	1400 lbs	1150 lbs
Lorraine 15'	KL15	15' 0"	7"	4' 6" x 9 3/4"	1600 lbs	1350 lbs
Lorraine 18'	KL18	18' 0"	6 5/8"	5' 0" x 9 3/4"	1770 lbs	1470 lbs
Lorraine 20'	KL20	20' 0"	6 3/8"	5' 0" x 9 3/4"	1860 lbs	1560 lbs
Lorraine 22'	KL22	22' 0"	6 1/8"	5' 0" x 9 3/4"	1950 lbs	1650 lbs
Lorraine 25'	KL25	25' 0"	5 3/4"	5' 0" x 9 3/4"	2100 lbs	1800 lbs
Lorraine 30'	KL30	30' 0"	5 1/8"	5' 0" x 9 3/4"	2340 lbs	2040 lbs

How to Catalog for Lorraine Concrete Pole

<p>Pole Style</p> <p>KL</p> <p>KL 30'</p> <p>Height</p> <p>12' - 30'</p>	<p>Finish</p> <p>E - Etched Finish</p> <p>E 40</p> <p>Color**</p> <p>10 - Midnight Lace 11 - Eclipse Black 30 - Salt & Pepper 40 - Pearl Gray 90 - Saluki bronze</p>	<p>Footing Details</p> <p>DB - Direct Buried FBP - Flush Baseplate SBP - Stub Baseplate</p> <p>DB 140 30/30</p> <p>Tenon (Post Top Mount)</p> <p>Specify Tenon Size For example 140 30/30 = 2 7/8" OD & 3" long</p>	<p>Coating</p> <p>NA - Non Acrylic A - Acrylic AG - Anti Graffiti Coating***</p> <p>GFI NA</p> <p>Options*</p> <p>DR - Duplex Receptacle GFI - Ground Fault Duplex Receptacle SR - 1 Outlet LRN - Ladder Rest BPC - Base Plate Cover AB - Anchor Bolts BA - Banner Arms FH - Flag Holders</p>
--------------------------------------------------------------------------------------------------------	------------------------------------------------------------------------------------------------------------------------------------------------------------------------------------------------------------------------	-----------------------------------------------------------------------------------------------------------------------------------------------------------------------------------------------------------------------------------------------------------------------	-----------------------------------------------------------------------------------------------------------------------------------------------------------------------------------------------------------------------------------------------------------------------------------------------------------------------------------------------------------------

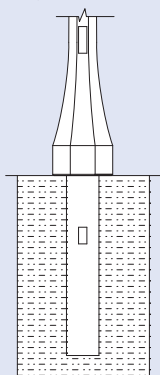
* Consult website for full listings. ** See decor colors on page 2 for full selection of colors.
***Anti Graffiti Coating is extra, consult factory for more details.

Footing Details

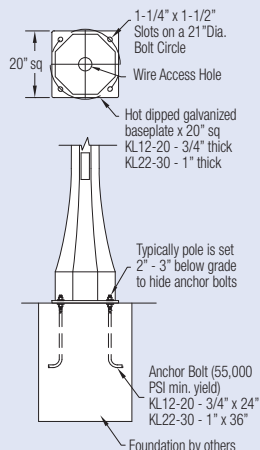
Direct Buried

(Simple and Cost Effective)

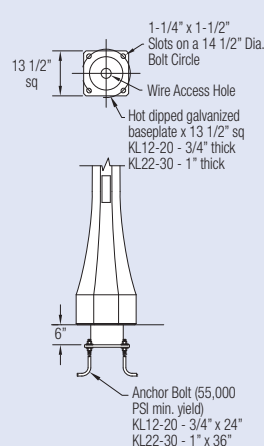
1. Auger the setting hole.
2. Set pole in hole and plumb straight.
3. Backfill* with required backfill tamping every 4" to 6".



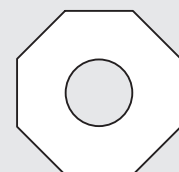
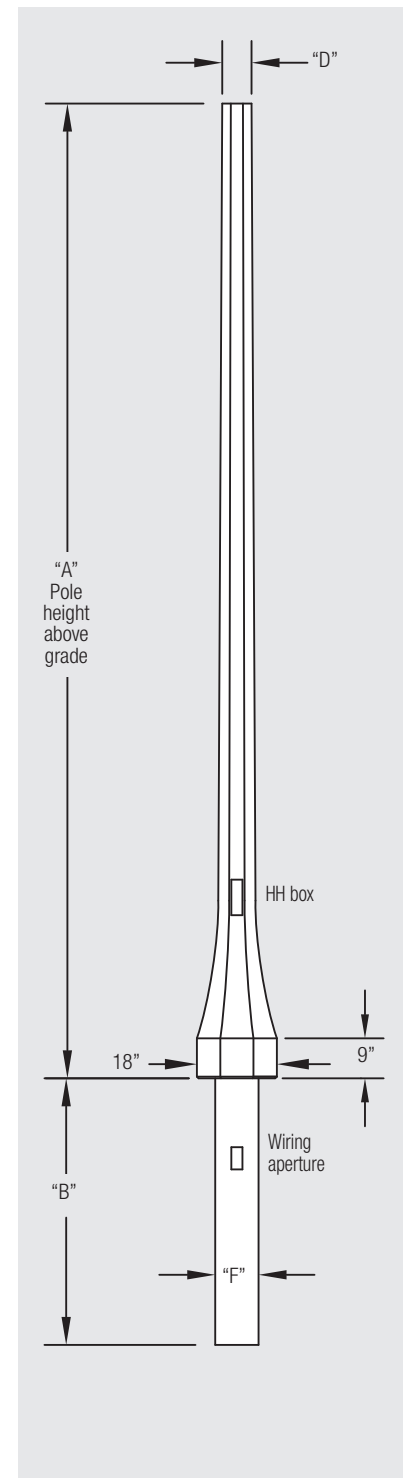
Baseplate Option 1: FBP



Baseplate Option 2: SBP



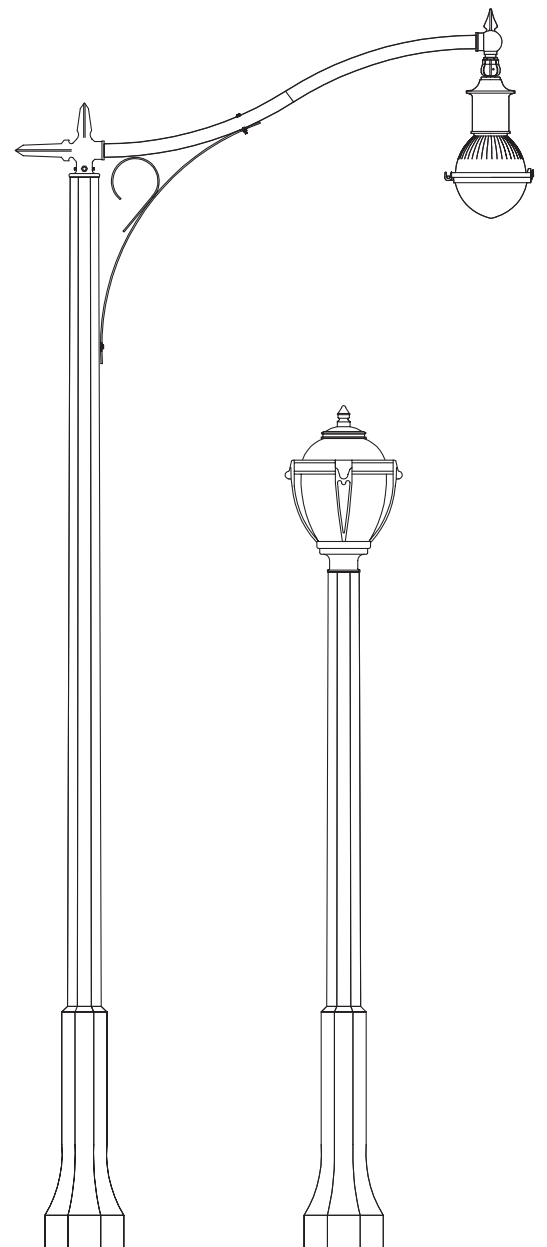
*Generally the excavated material can be used for backfill, in some situations better backfill may be required.



Typical Pole Cross Section

THE MEMPHIS

The simple lines of the Memphis bridges the gap between the ornamental designs of the first three decades of the 20th century and the more utilitarian designs that had their origin in the stark realities of the 40's and 50's. It is available in heights from 5' to 32' in all of our concrete decor colors.



Specification Details

Description	Catalog Number	"A" Pole Height Above Grade	"D" Tip Dimension	"C" Stepped Section Height	"E" Flare	"B" Direct Burial Length & "F" Dia.	Pole Weight Direct Burial	Pole Weight Base Plate	
Memphis	10'	KM10	10' 0"	5 1/2"	43"	14"	4' 6" x 10"	900 lbs	700 lbs
Memphis	13'	KM13	13' 6"	5 1/4"	43"	14"	4' 6" x 10"	975 lbs	775 lbs
Memphis	16'	KM16	15' 10"	5"	43"	14"	4' 6" x 10"	1050 lbs	850 lbs
Memphis	18'	KMH18	18' 0"	7 1/2"	38 1/2"	18"	5' 0" x 12"	1770 lbs	1470 lbs
Memphis	20'	KMH20	20' 0"	7 5/16"	38 1/2"	18"	5' 0" x 12"	1860 lbs	1560 lbs
Memphis	25'	KMH25	25' 0"	6 7/8"	38 1/2"	18"	5' 0" x 12"	2100 lbs	1800 lbs
Memphis	30'	KMH30	30' 0"	6 1/2"	38 1/2"	18"	5' 0" x 12"	2340 lbs	2040 lbs
Memphis	32'	KMH325	32' 6"	6 1/4"	38 1/2"	18"	5' 6" x 12"	2420 lbs	2120 lbs

How to Catalog for Memphis Concrete Pole

Pole Style	Finish	Footing Details	Coating
KM KMH	E – Etched Finish S – Polished Finish	DB – Direct Buried FBP – Flush Baseplate SBP – Stub Baseplate	NA – Non Acrylic A – Acrylic AG – Anti Graffiti Coating***
KMH 30'	E 40	DB 140 30/30	GFI NA
Height 5' - 32' 6"	Color** 10 – Midnight Lace 11 – Eclipse Black 30 – Salt & Pepper 40 – Pearl Gray 90 – Saluki bronze	Tenon (Post Top Mount) Specify Tenon Size For example 140 30/30 = 2 7/8" OD & 3" long	Options* DR – Duplex Receptacle GFI – Ground Fault Duplex Receptacle SR – 1 Outlet LRN – Ladder Rest BPC – Base Plate Cover AB – Anchor Bolts BA – Banner Arms FH – Flag Holders

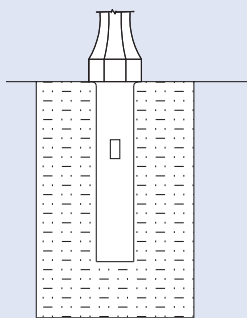
* Consult website for full listings. ** See decor colors on page 2 for full selection of colors.
***Anti Graffiti Coating is extra, consult factory for more details.

Footing Details

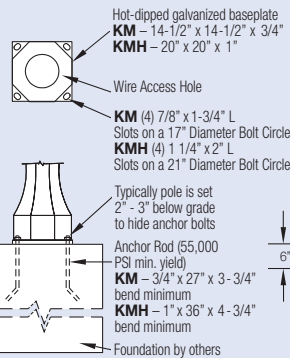
Direct Buried

(Simple and Cost Effective)

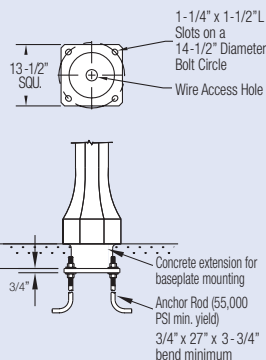
1. Auger the setting hole.
2. Set pole in hole and plumb straight.
3. Backfill* with required backfill tamping every 4" to 6".



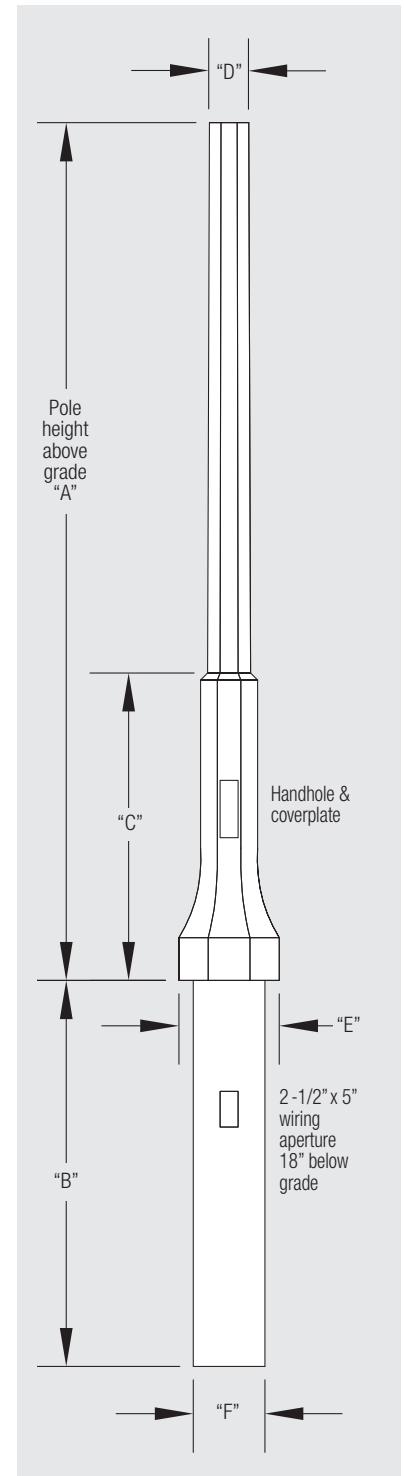
Baseplate Option 1: FBP



Baseplate Option 2: SBP



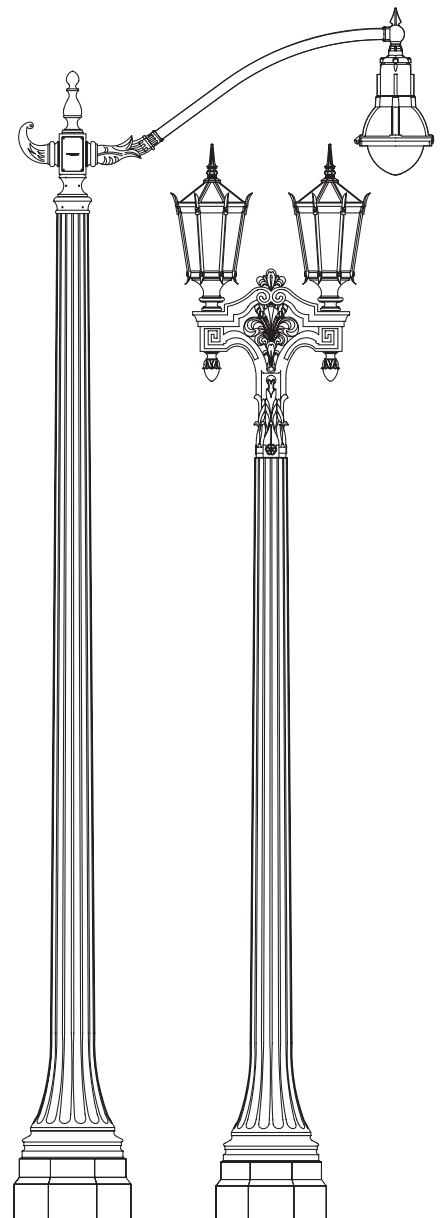
*Generally the excavated material can be used for backfill, in some situations better backfill may be required.



Typical Pole Cross Section

THE PACIFIC

This impressive 15 fluted pole was originally designed in the 1930's to light Tacoma's Pacific Avenue. Massive yet elegant, it has since been used in several prestigious locations. With a 26" flat to flat base this pole is available in heights from 5' to 19' for baseplate applications only.



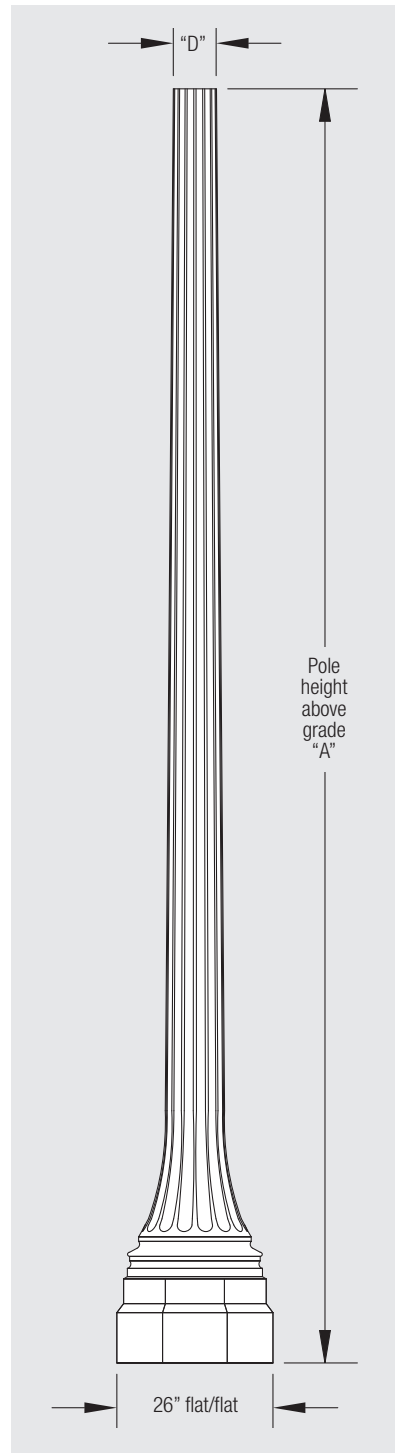
Specification Details

Description	Catalog Number	"A" Pole Height Above Grade	"D" Tip Dimension	Pole Weight Base Plate	
Pacific	15'	KP15	15' 0"	7 5/8"	1450 lbs
Pacific	17'	KP17	17' 0"	7 1/4"	1550 lbs
Pacific	19'	KP19	19' 0"	6 7/8"	1650 lbs

How to Catalog for Pacific Concrete Pole

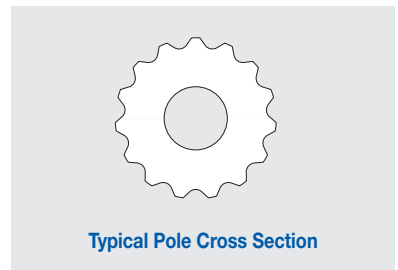
Pole Style	Finish	Footing Details	Coating
KP	E – Etched Finish	IBP – Internal Baseplate	NA – Non Acrylic A – Acrylic AG – Anti Graffiti Coating***
KP	E	IBP	NA
15'	40	140 30/30	GFI
Height	Color**	Tenon (Post Top Mount)	Options*
5' - 19'	10 – Midnight Lace 11 – Eclipse Black 30 – Salt & Pepper 40 – Pearl Gray 90 – Saluki bronze	Specify Tenon Size For example 140 30/30 = 2 7/8" OD & 3" long	DR – Duplex Receptacle GFI – Ground Fault Duplex Receptacle SR – 1 Outlet LRN – Ladder Rest AB – Anchor Bolts BA – Banner Arms FH – Flag Holders

* Consult website for full listings. ** See decor colors on page 2 for full selection of colors.
***Anti Graffiti Coating is extra, consult factory for more details.



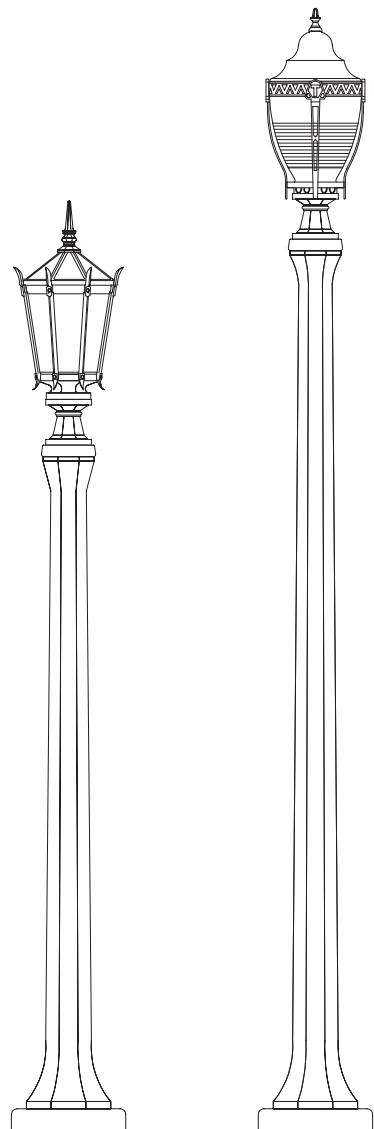
Footing Details

Anchor Base Mounting	Internal Baseplate
<p>Handhole & Coverplate</p> <p>Anchor Bolts accessible through handhole</p> <p>Anchor rods (55,000 PSI minimum yield) 1" x 36" x 4" galvanized</p> <p>Foundation by others</p>	<p>1 1/4"</p> <p>3 5/8"</p> <p>21 1/2" ϕ</p> <p>12" dia. Bolt Circle</p>



THE SHERIDAN

Probably the most widely used of all ornamental spun concrete poles, the Sheridan typifies the lighting style of the 20's and 30's. Its very substantial mass is cleverly disguised by the grace and simplicity of design which ensures its timeless appeal. Today the Sheridan is available in a host of warm earth-tone colors, complemented by our standard etched textural finish, in mounting heights of 10' to 25'.



Specification Details*

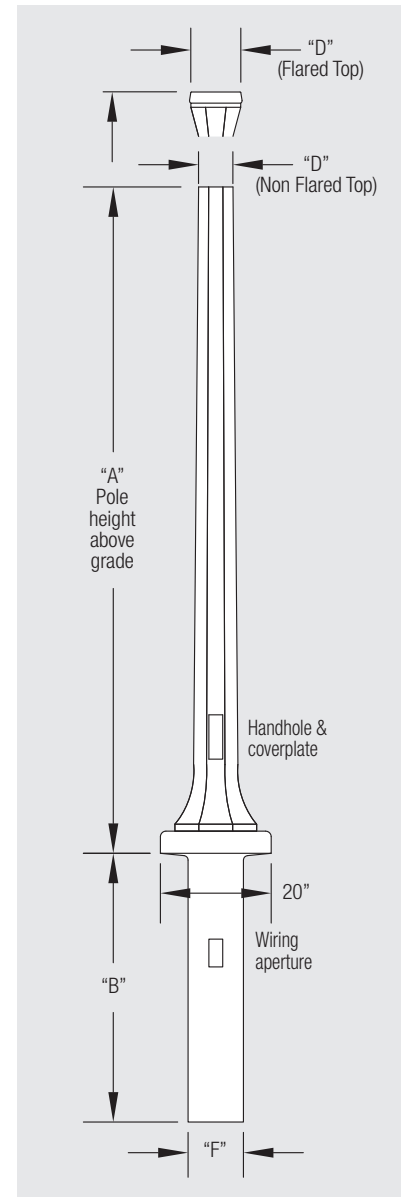
Description	Catalog Number	"A" Pole Height Above Grade	"D" Tip Dimension	"B" Direct Burial Length & "F" Dia.	Pole Weight Direct Burial	Pole Weight Base Plate
Sheridan Flared Top 10'	KS10	10' 0"	9"	4' 6" x 10"	840 lbs	600 lbs
Sheridan Non Flared Top 10'	KS10-NF	10' 0"	6 3/8"	4' 6" x 10"	835 lbs	595 lbs
Sheridan Non Flared Top 12'	KS12	12' 0"	6"	4' 6" x 10"	885 lbs	715 lbs
Sheridan Flared Top 13'	KS13	13' 0"	9"	4' 6" x 10"	925 lbs	685 lbs
Sheridan Non Flared Top 13'	KS13-NF	13' 0"	5 3/4"	4' 6" x 10"	920 lbs	680 lbs
Sheridan Non Flared Top 14'	KS14	14' 0"	5 1/2"	4' 6" x 10"	918 lbs	730 lbs
Sheridan Flared Top 15'	KS15	15' 0"	9"	4' 6" x 10"	985 lbs	745 lbs
Sheridan Non Flared Top 15'	KSH15	15' 0"	6 1/2"	4' 6" x 9 3/4"	1400 lbs	1150 lbs
Sheridan Non Flared Top 18'	KSH18	18' 0"	6 1/8"	5' 0" x 9 3/4"	1570 lbs	1270 lbs
Sheridan Non Flared Top 20'	KSH20	20' 0"	5 7/8"	5' 0" x 9 3/4"	1680 lbs	1380 lbs
Sheridan Non Flared Top 22'	KSH22	22' 0"	5 3/4"	5' 0" x 9 3/4"	1750 lbs	1450 lbs
Sheridan Non Flared Top 25'	KSH25	25' 0"	5 3/8"	5' 0" x 9 3/4"	1900 lbs	1600 lbs

* Bollard specification details can be found on our website

How to Catalog for Sheridan Concrete Pole

Pole Style	Finish	Footing Details	Coating
KS KSH	E – Etched Finish S – Polished Finish	DB – Direct Buried FBP – Flush Baseplate SBP – Stub Baseplate	NA – Non Acrylic A – Acrylic AG – Anti Graffiti Coating***
KS 15'	E 40	DB 140 30/30	GFI NA
Height 10' - 25'	Color** 10 – Midnight Lace 11 – Eclipse Black 30 – Salt & Pepper 40 – Pearl Gray 90 – Saluki bronze	Tenon (Post Top Mount) Specify Tenon Size For example 140 30/30 = 2 7/8" OD & 3" long	Options* DR – Duplex Receptacle GFI – Ground Fault Duplex Receptacle SR – 1 Outlet LRN – Ladder Rest BPC – Base Plate Cover AB – Anchor Bolts BA – Banner Arms FH – Flag Holders

* Consult website for full listings. ** See decor colors on page 2 for full selection of colors.
***Anti Graffiti Coating is extra, consult factory for more details.



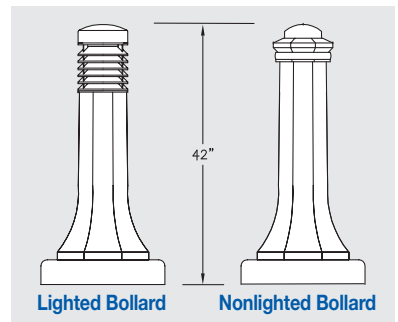
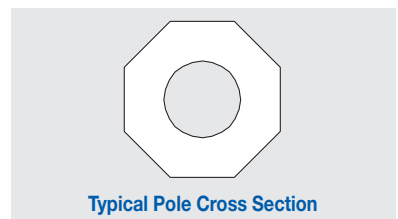
Footing Details

Direct Buried
(Simple and Cost Effective)
1. Auger the setting hole.
2. Set pole in hole and plumb straight.
3. Backfill* with required backfill tamping every 4" to 6".

Baseplate Option 1: FBP

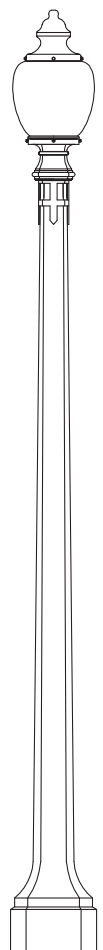
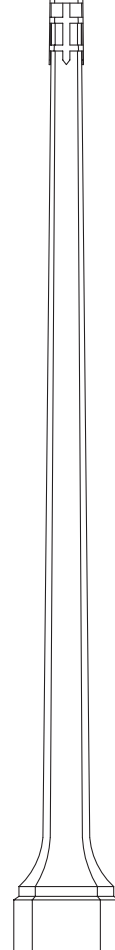
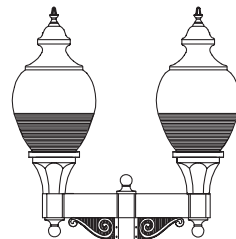
Baseplate Option 2: SBP

* Generally the excavated material can be used for backfill, in some situations better backfill may be required.



THE ST. LOUIS

The St. Louis family of poles were originally designed for use in many districts of this famous city on the Big Muddy. Originally called "The Granitoid Poles", StressCrete has reproduced this family in exacting detail. The two design variations are available from 5' to 22' mounting heights.



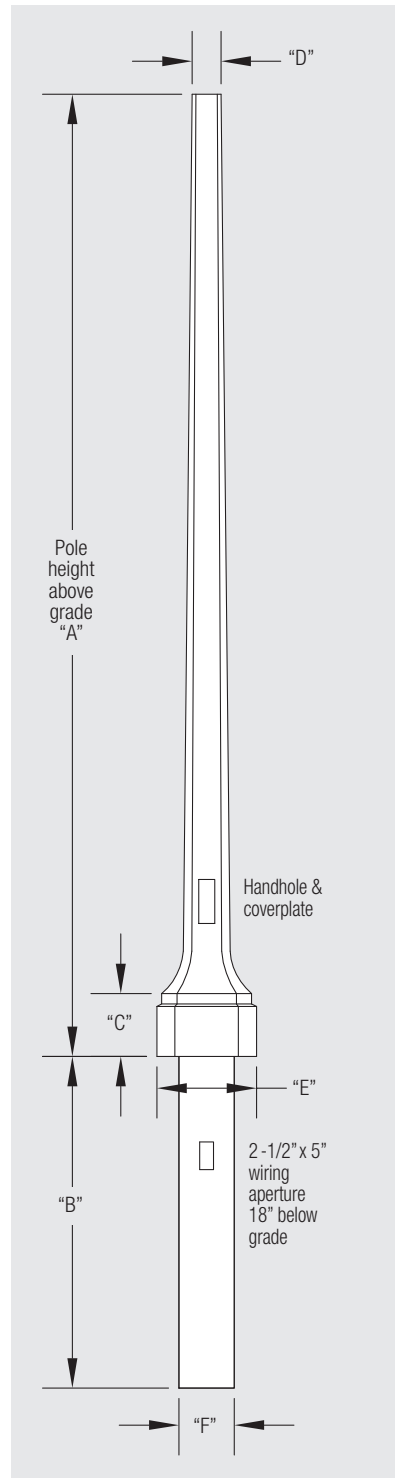
Specification Details

Description	Catalog Number	"A" Pole Height Above Grade	"D" Tip Dimension	"C" Stepped Section Height	"E" Flare	"B" Direct Burial Length & "F" Dia.	Pole Weight Direct Burial	Pole Weight Base Plate
St Louis 10'	KLC10	10' 0"	6 1/4"	11 3/8"	18"	5' 0" x 10"	1220 lbs	1075 lbs
St Louis 13'	KLC13	13' 0"	5 3/4"	11 3/8"	18"	5' 0" x 10"	1300 lbs	1155 lbs
St Louis 15'	KLC15	15' 0"	5 1/4"	11 3/8"	18"	5' 0" x 10"	1345 lbs	1200 lbs
St Louis 18'	KLH18	18' 0"	5 3/4"	13 3/4"	22"	5' 6" x 10"	1875 lbs	1715 lbs
St Louis 20'	KLH20	20' 0"	5 1/4"	13 3/4"	22"	5' 6" x 10"	1920 lbs	1760 lbs
St Louis 22'	KLH22	22' 0"	4 3/4"	13 3/4"	22"	5' 6" x 10"	1955 lbs	1795 lbs

How to Catalog for St. Louis Concrete Pole

Pole Style	Finish	Footing Details	Coating
KLC KLH	E – Etched Finish S – Polished Finish	DB – Direct Buried FBP – Flush Baseplate SBP – Stub Baseplate	NA – Non Acrylic A – Acrylic AG – Anti Graffiti Coating***
KLH 22'	E 40	DB 140 30/30	GFI NA
Height 5' - 22'	Color** 10 – Midnight Lace 11 – Eclipse Black 30 – Salt & Pepper 40 – Pearl Gray 90 – Saluki bronze	Tenon (Post Top Mount) Specify Tenon Size For example 140 30/30 = 2 7/8" OD & 3" long	Options* DR – Duplex Receptacle GFI – Ground Fault Duplex Receptacle SR – 1 Outlet LRN – Ladder Rest BPC – Base Plate Cover AB – Anchor Bolts BA – Banner Arms FH – Flag Holders

* Consult website for full listings. ** See decor colors on page 2 for full selection of colors.
***Anti Graffiti Coating is extra, consult factory for more details.

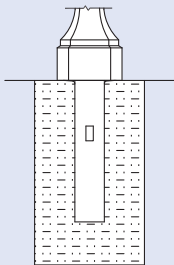


Footing Details

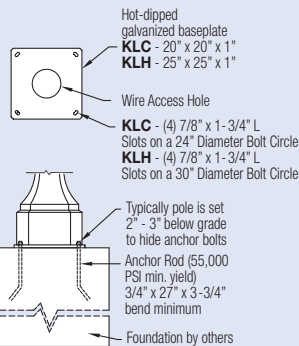
Direct Buried

(Simple and Cost Effective)

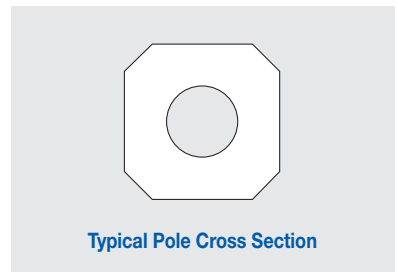
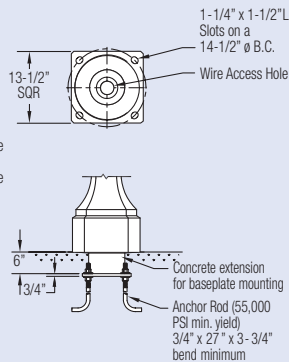
1. Auger the setting hole.
2. Set pole in hole and plumb straight.
3. Backfill* with required backfill tamping every 4" to 6".



Baseplate Option 1: FBP



Baseplate Option 2: SBP

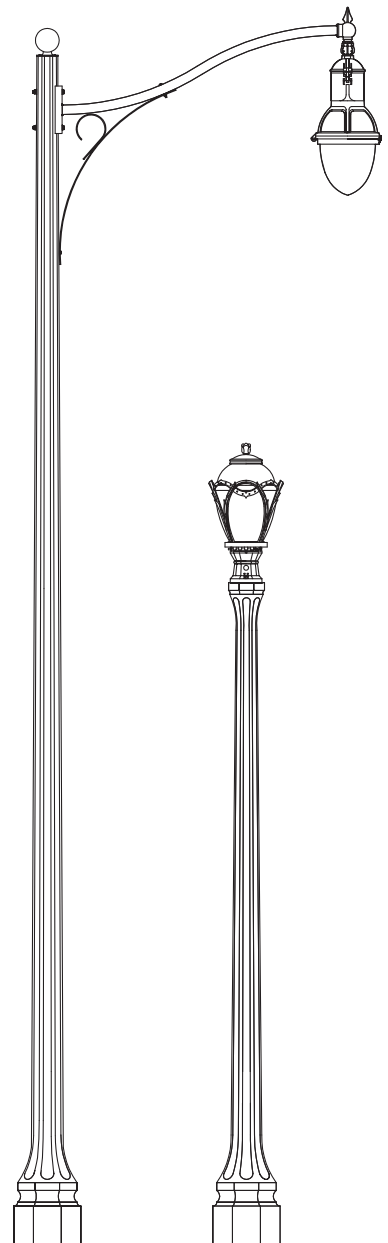


Typical Pole Cross Section

*Generally the excavated material can be used for backfill, in some situations better backfill may be required.

THE TALISMAN

With roots firmly established in the 20's and 30's the Talisman is an elegant version of several classic originals. In essence it is an 8 fluted version of the octagonal Belmont with the same graceful lines and proportions; the perfect choice to satisfy the tastes of many. It is available in heights from 5' to 32.5' as well as a lighted and nonlighted bollard.



Specification Details*

Description	Catalog Number	"A" Pole Height Above Grade	"D" Tip Dimension	"E" Flare	"B" Direct Burial Length & "F" Dia.	Pole Weight Direct Burial	Pole Weight Base Plate	
Talisman Flared Top	11'	KT105	11'	9"	18"	4' 6" x 9 1/2"	1200 lbs	1000 lbs
Talisman Non Flared Top	12'	KT12	12' 0"	5 1/2"	18"	4' 6" x 9 1/2"	1300 lbs	1100 lbs
Talisman Flared Top	14'	KT14	13' 11"	9"	18"	4' 6" x 9 1/2"	1370 lbs	1170 lbs
Talisman Non Flared Top	20'	KTH20	20' 0"	5 3/4"	18"	5' 0" x 9 1/2"	1600 lbs	1400 lbs
Talisman Non Flared Top	25'	KTH25	25' 0"	5 3/8"	18"	5' 0" x 9 1/2"	1800 lbs	1600 lbs
Talisman Non Flared Top	20'	KTT20	20' 0"	7 3/8"	21"	5' 0" x 12"	2270 lbs	2000 lbs
Talisman Non Flared Top	25'	KTT25	25' 0"	6 1/2"	21"	5' 0" x 12"	2470 lbs	2200 lbs
Talisman Non Flared Top	30'	KTT30	30' 0"	5 7/8"	21"	5' 0" x 12"	2630 lbs	2360 lbs
Talisman Non Flared Top	33'	KTT32.5	32' 6"	5 1/2"	21"	6' 0" x 12"	2720 lbs	2450 lbs

* Bollard specification details can be found on our website

How to Catalog for Talisman Concrete Pole

Pole Style

KT
KTH
KTT

KTT

Height
5' - 32' 6"

Finish

E – Etched Finish

E

Color**
10 – Midnight Lace
11 – Eclipse Black
30 – Salt & Pepper
40 – Pearl Gray
90 – Saluki bronze

Footing Details

DB – Direct Buried
FBP – Flush Baseplate
SBP – Stub Baseplate

DB

Tenon (Post Top Mount)
Specify Tenon Size
For example 140 30/30 = 2 7/8" OD & 3" long

Coating

NA – Non Acrylic
A – Acrylic
AG – Anti Graffiti Coating***

Options*
DR – Duplex Receptacle
GFI – Ground Fault Duplex Receptacle
SR – 1 Outlet
LRN – Ladder Rest
BPC – Base Plate Cover
AB – Anchor Bolts
BA – Banner Arms
FH – Flag Holders

GFI **NA**

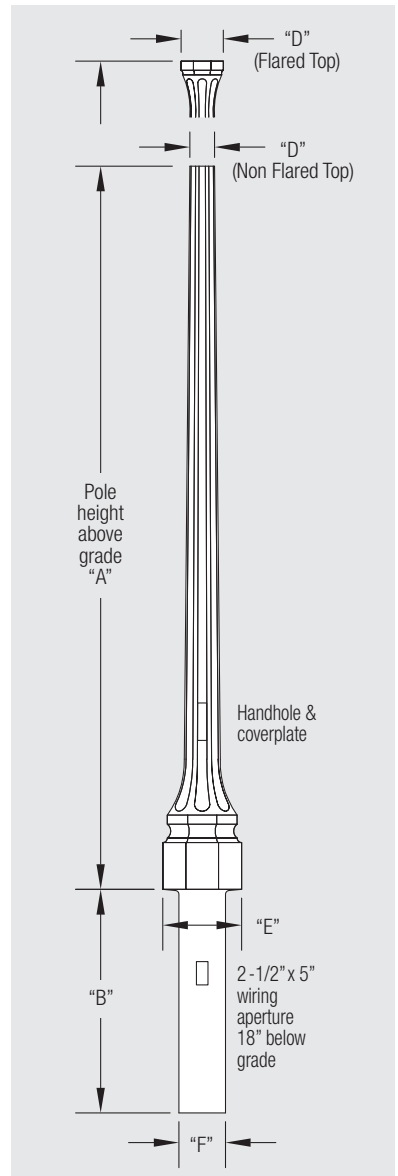
Handhole & coverplate

"E"
2-1/2" x 5" wiring aperture 18" below grade

"B"

"F"

* Consult website for full listings. ** See decor colors on page 2 for full selection of colors.
***Anti Graffiti Coating is extra, consult factory for more details.

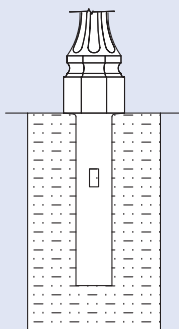


Footing Details

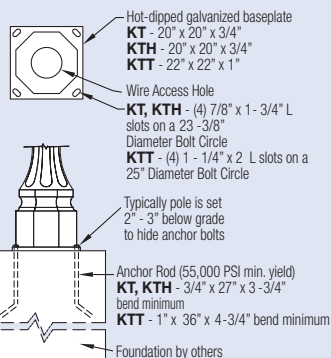
Direct Buried

(Simple and Cost Effective)

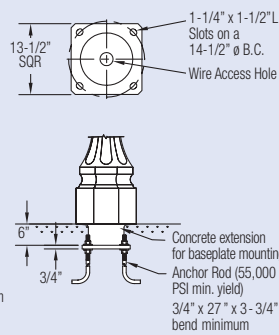
1. Auger the setting hole.
2. Set pole in hole and plumb straight.
3. Backfill* with required backfill tamping every 4" to 6".



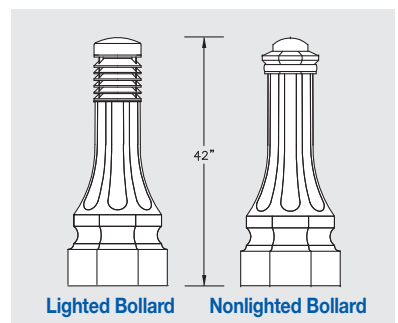
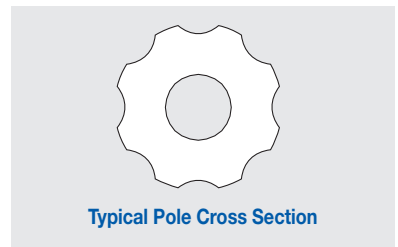
Baseplate Option 1: FBP



Baseplate Option 2: SBP

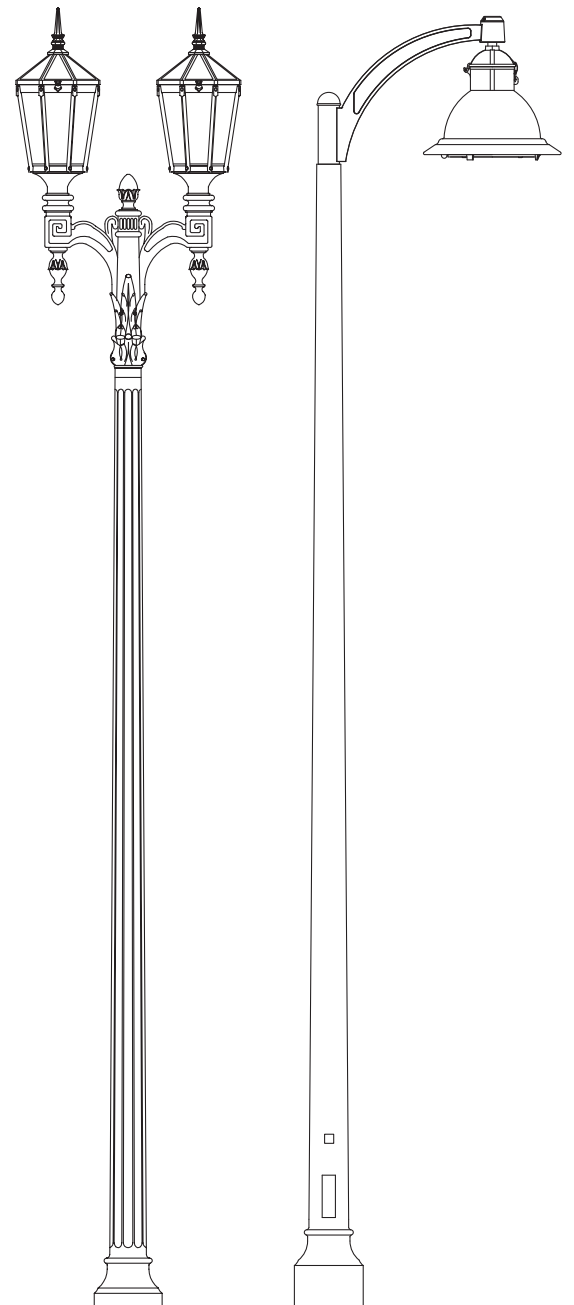


*Generally the excavated material can be used for backfill, in some situations better backfill may be required.



THE TRADITIONAL

Available in a 10 fluted or non fluted shaft, this simple pole was originally designed and installed in many residential areas in several west coast cities. Now in spun concrete it continues to offer understated elegance to any project it is used for. Available in heights from 5' to 20' and offered as a lighted and nonlighted bollard.



Specification Details*

Description	Catalog Number	"A" Pole Height Above Grade	"D" Tip Dimension	"B" Direct Burial Length & "F" Dia.	Pole Weight Direct Burial	Pole Weight Base Plate	
Traditional Fluted	10'	KD10	10' 1"	5 1/2"	4' 6" x 8 1/4"	525 lbs	375 lbs
Traditional Fluted	13'	KD13	13' 1"	5"	4' 6" x 8 1/4"	615 lbs	465 lbs
Traditional Fluted	15'	KD15	15' 1"	5"	4' 6" x 8 1/4"	710 lbs	560 lbs
Traditional Fluted	18'	KD18	18' 1"	5 1/4"	5' 0" x 8 1/4"	1100 lbs	850 lbs
Traditional Fluted	20'	KD20	20' 1"	5"	5' 0" x 8 1/4"	1180 lbs	930 lbs
Traditional Non Fluted	10'	KDNF10	10' 1"	5 7/8"	4' 6" x 7 7/8"	625 lbs	475 lbs
Traditional Non Fluted	13'	KDNF13	13' 1"	5 3/8"	4' 6" x 7 7/8"	715 lbs	565 lbs
Traditional Non Fluted	15'	KDNF15	15' 1"	5"	5' x 7 7/8"	810 lbs	660 lbs
Traditional Non Fluted	18'	KDNF18	18' 1"	4 1/2"	5' x 7 7/8"	1200 lbs	950 lbs
Traditional Non Fluted	20'	KDNF20	20' 0"	4 1/8"	5' x 7 7/8"	1280 lbs	1030 lbs

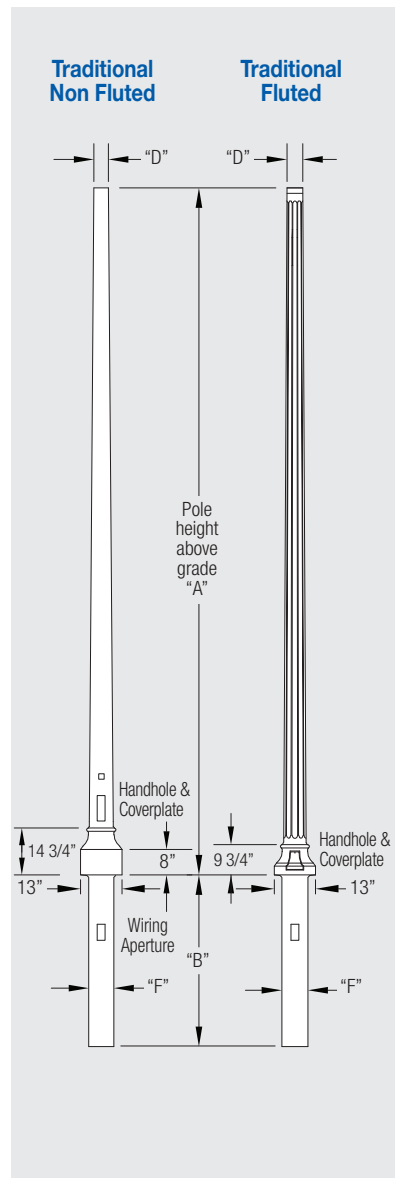
Note – Optional deeper burial depth up to 8' 0" available

* Bollard specification details can be found on our website

How to Catalog:

Pole Style	Finish	Footing Details	Coating
KD KDNF	E – Etched Finish	DB – Direct Buried FBP – Flush Baseplate SBP – Stub Baseplate	NA – Non Acrylic A – Acrylic AG – Anti Graffiti Coating***
KDNF 20'	E 40	DB 140 30/30	GFI NA
Height 5' - 20'	Color** 10 – Midnight Lace 11 – Eclipse Black 30 – Salt & Pepper 40 – Pearl Gray 90 – Saluki bronze	Tenon (Post Top Mount) Specify Tenon Size For example 140 30/30 = 2 7/8" OD & 3" long	Options* DR – Duplex Receptacle GFI – Ground Fault Duplex Receptacle SR – 1 Outlet LRN – Ladder Rest BPC – Base Plate Cover AB – Anchor Bolts BA – Banner Arms FH – Flag Holders

* Consult website for full listings. ** See decolor on page 2 for full selection of colors.
***Anti Graffiti Coating is extra, consult factory for more details.

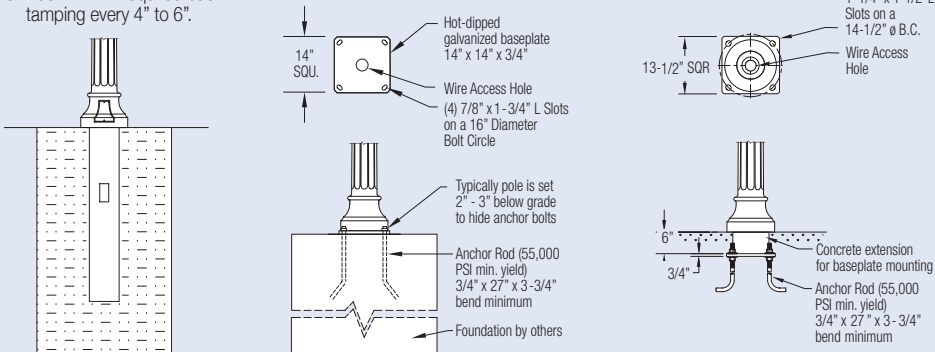


Footing Details

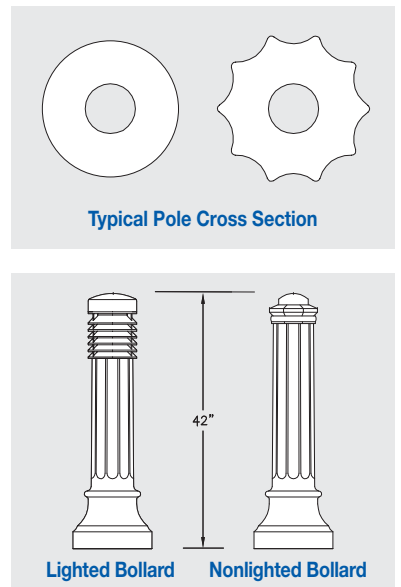
Direct Buried

(Simple and Cost Effective)

1. Auger the setting hole.
2. Set pole in hole and plumb straight.
3. Backfill* with required backfill tamping every 4" to 6".

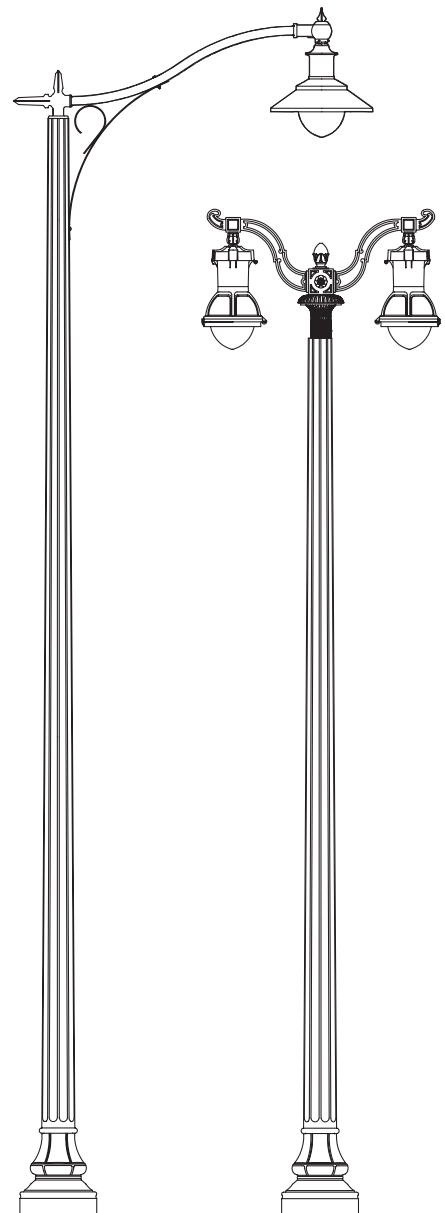


*Generally the excavated material can be used for backfill, in some situations better backfill may be required.



THE WASHINGTON

The Washington design has a long history. Originally installed around the Capital Hill & White House grounds in 1910, it is now widely used throughout the DC area and has become extremely popular across the country. StressCrete is proud to introduce a spun concrete 10 fluted version of this historic design. It is available in heights from 5' to 30' as well as a lighted and nonlighted bollard.



Specification Details*

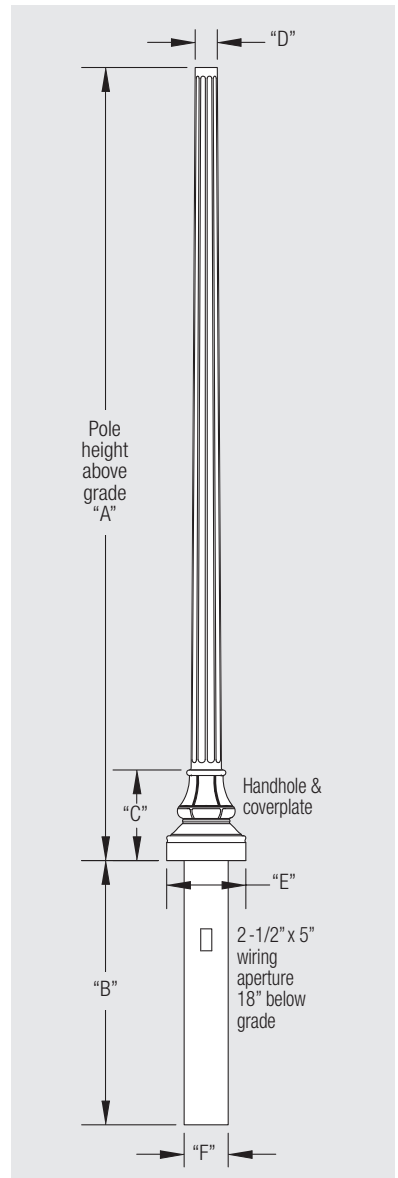
Description	Catalog Number	"A" Pole Height Above Grade	"D" Tip Dimension	"C" Stepped Section Height	"E" Flare	"B" Direct Burial Length & "F" Dia.	Pole Weight Direct Burial	Pole Weight Base Plate
Washington 10'	KWC10	10' 0"	5 3/4"	20 1/2"	18"	4' 6" x 10"	860 lbs	655 lbs
Washington 13'	KWC13	13' 0"	5 1/4"	20 1/2"	18"	4' 6" x 10"	925 lbs	720 lbs
Washington 15'	KWC15	15' 0"	5"	20 1/2"	18"	4' 6" x 10"	1100 lbs	895 lbs
Washington 18'	KWH18	18' 0"	6 3/4"	24"	21"	5' 0" x 12"	1660 lbs	1390 lbs
Washington 20'	KWH20	20' 0"	6 3/8"	24"	21"	5' 0" x 12"	1750 lbs	1480 lbs
Washington 25'	KWH25	25' 0"	5 3/4"	24"	21"	5' 0" x 12"	1900 lbs	1630 lbs
Washington 30'	KWH30	30' 0"	5"	24"	21"	5' 0" x 12"	2140 lbs	1870 lbs

* Bollard specification details can be found on our website

How to Catalog for Washington Concrete Pole

Pole Style	Finish	Footing Details	Coating
KWC KWH	E – Etched Finish	DB – Direct Buried FBP – Flush Baseplate SBP – Stub Baseplate	NA – Non Acrylic A – Acrylic AG – Anti Graffiti Coating***
KWH 30'	E 40	DB 140 30/30	GFI NA
Height 5' - 30'	Color** 10 – Midnight Lace 11 – Eclipse Black 30 – Salt & Pepper 40 – Pearl Gray 90 – Saluki bronze	Tenon (Post Top Mount) Specify Tenon Size For example 140 30/30 = 2 7/8" OD & 3" long	Options* DR – Duplex Receptacle GFI – Ground Fault Duplex Receptacle SR – 1 Outlet LRN – Ladder Rest BPC – Base Plate Cover AB – Anchor Bolts BA – Banner Arms FH – Flag Holders

* Consult website for full listings. ** See decor colors on page 2 for full selection of colors.
***Anti Graffiti Coating is extra, consult factory for more details.

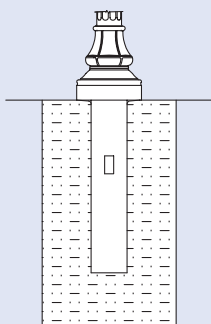


Footing Details

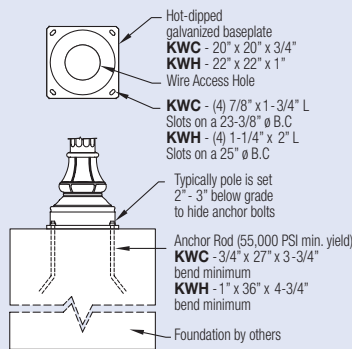
Direct Buried

(Simple and Cost Effective)

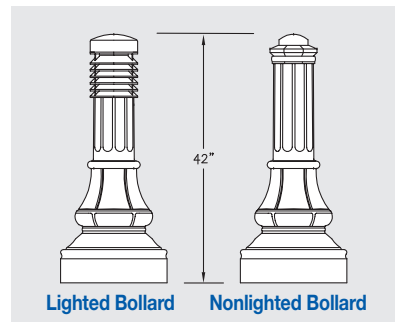
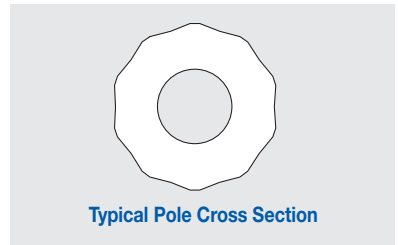
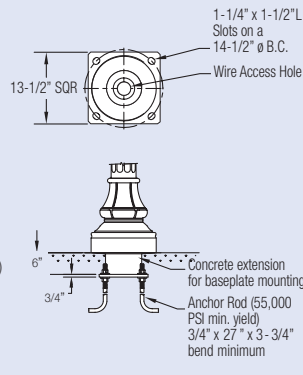
1. Auger the setting hole.
2. Set pole in hole and plumb straight.
3. Backfill* with required backfill tamping every 4" to 6".



Baseplate Option 1: FBP



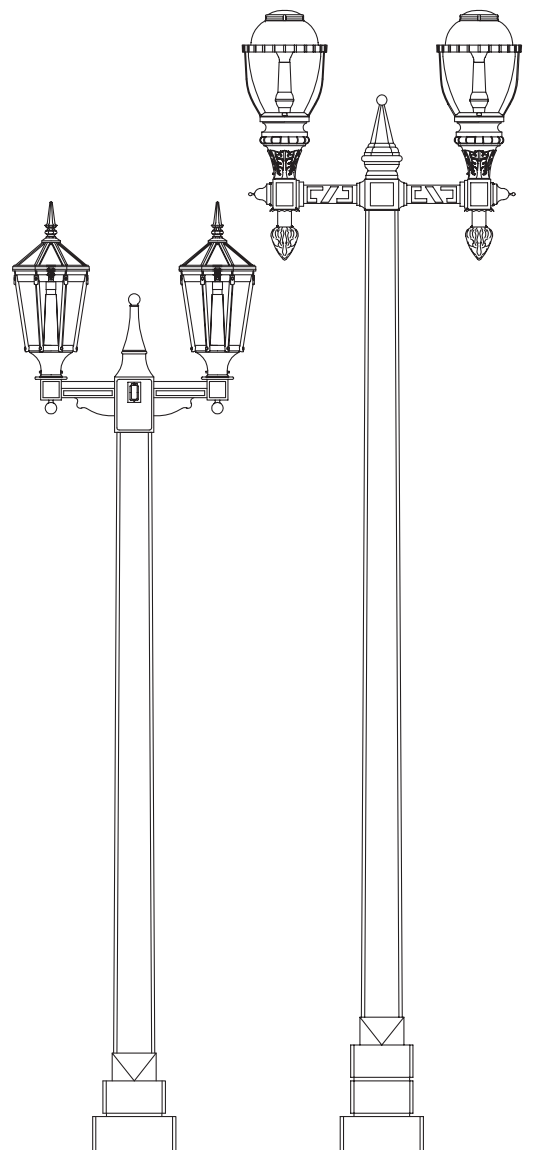
Baseplate Option 2: SBP



*Generally the excavated material can be used for backfill, in some situations better backfill may be required.

THE WINDSOR

The Windsor family of poles offers the classic elegance of a square tapered shaft and an integral stepped base. Its clean simple lines ideally suit it for either traditional or contemporary themes. Both the two and three step versions are available in heights of 10' to 36' above grade.



Specification Details

Description	Catalog Number	"A" Pole Height Above Grade	"D" Tip Dimension	"C" Stepped Section Ht.	"B" Direct Burial Length & "F" Dia.	Pole Weight Direct Burial	Pole Weight Base Plate
Windsor 2-Tier 15'	KRJ15	15' 0"	7 1/4"	15 3/4"	5' 0" x 9 1/2"	1180 lbs	1070 lbs
Windsor 2-Tier 18'	KRJ18	18' 0"	6 7/8"	15 3/4"	5' 0" x 9 1/2"	1295 lbs	1185 lbs
Windsor 2-Tier 20'	KRJ20	20' 0"	6 5/8"	15 3/4"	5' 0" x 9 1/2"	1365 lbs	1255 lbs
Windsor 2-Tier 25'	KRJ25	25' 0"	6"	15 3/4"	5' 0" x 9 1/2"	1515 lbs	1405 lbs
Windsor 2-Tier 30'	KRJ30	30' 0"	5 3/8"	15 3/4"	6' 0" x 9 1/2"	1690 lbs	1530 lbs
Windsor 2-Tier 36'	KRJ36	36' 0"	4 3/4"	15 3/4"	6' 0" x 9 1/2"	1780 lbs	1620 lbs
Windsor 3-Tier 15'	KRS15	15' 0"	7 1/4"	23 1/2"	5' 0" x 9 1/2"	1210 lbs	1100 lbs
Windsor 3-Tier 18'	KRS18	18' 0"	6 7/8"	23 1/2"	5' 0" x 9 1/2"	1325 lbs	1215 lbs
Windsor 3-Tier 20'	KRS20	20' 0"	6 5/8"	23 1/2"	5' 0" x 9 1/2"	1395 lbs	1285 lbs
Windsor 3-Tier 25'	KRS25	25' 0"	6"	23 1/2"	5' 0" x 9 1/2"	1545 lbs	1435 lbs
Windsor 3-Tier 30'	KRS30	30' 0"	5 3/8"	23 1/2"	6' 0" x 9 1/2"	1720 lbs	1560 lbs
Windsor 3-Tier 36'	KRS36	36' 0"	4 3/4"	23 1/2"	6' 0" x 9 1/2"	1810 lbs	1650 lbs

How to Catalog for Windsor Concrete Pole

Pole Style	Finish	Footing Details	Coating
KRJ KRS	E – Etched Finish S – Polished Finish	DB – Direct Buried FBP – Flush Baseplate SBP – Stub Baseplate	NA – Non Acrylic A – Acrylic AG – Anti Graffiti Coating***
KRJ 36'	E 40	DB 140 30/30	GFI NA
Height 10' - 36'	Color** 10 – Midnight Lace 11 – Eclipse Black 30 – Salt & Pepper 40 – Pearl Gray 90 – Saluki bronze	Tenon (Post Top Mount) Specify Tenon Size For example 140 30/30 = 2 7/8" OD & 3" long	Options* DR – Duplex Receptacle GFI – Ground Fault Duplex Receptacle SR – 1 Outlet LRN – Ladder Rest BPC – Base Plate Cover AB – Anchor Bolts BA – Banner Arms FH – Flag Holders

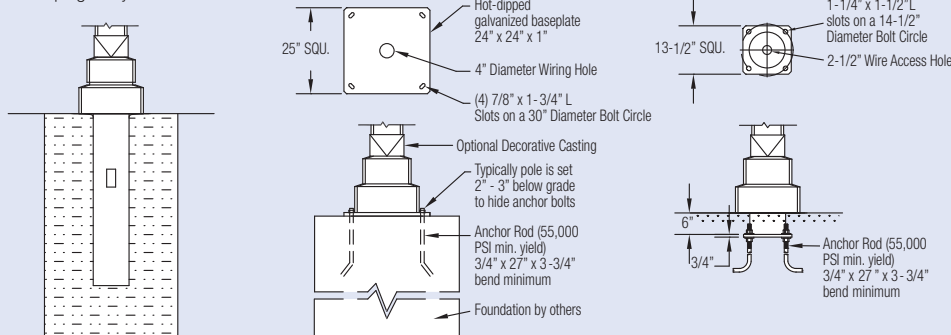
* Consult website for full listings. ** See decor colors on page 2 for full selection of colors.
***Anti Graffiti Coating is extra, consult factory for more details.

Footing Details

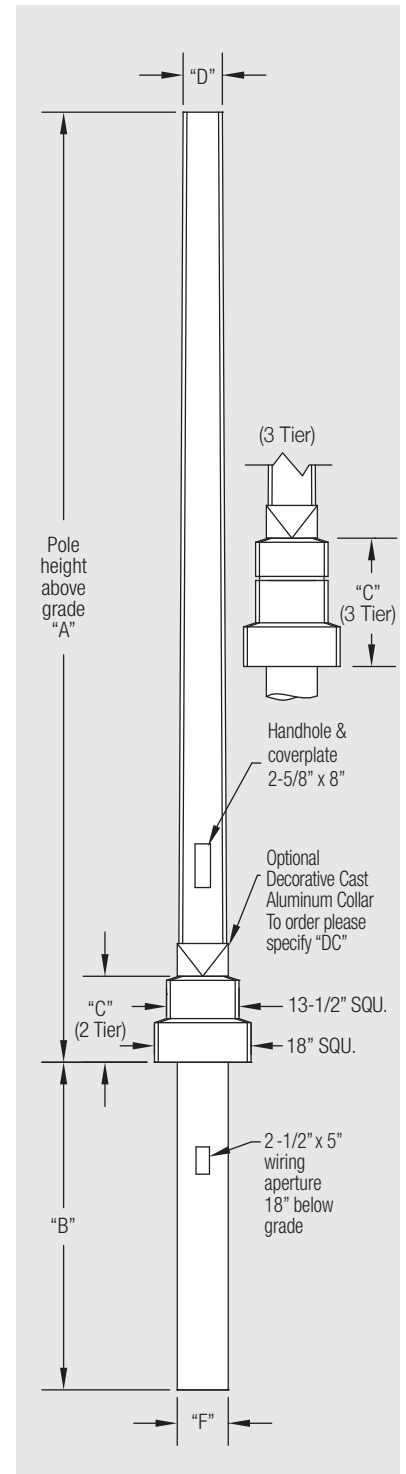
Direct Buried

(Simple and Cost Effective)

1. Auger the setting hole.
2. Set pole in hole and plumb straight.
3. Backfill* with required backfill tamping every 4" to 6".



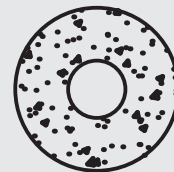
*Generally the excavated material can be used for backfill, in some situations better backfill may be required.



Typical Pole Cross Section

ROUND *tapered*

The most functional shape with regard to wind-loading, this round tapered pole is available in lengths up to 60' for many applications. Widely used in mold finish for power distribution and frequently the pole of choice for sports lighting applications, it is also in great demand for street and area lighting, both as a utility standard in mold finish and in etched decor for more decorative uses.



How to Catalog for Round Tapered Pole

Mounting Option

E - Direct Embedment
P - Base Plate

Prestressed

Class A-K***

Round
Cross Section

E

300

Height

Overall Pole
Length x 10
5' - 60'***

B P R

G

Provision for
Electric Ground

Finish

E - Etched Finish

E

10

Color**

10 - Midnight Lace
11 - Eclipse Black
30 - Salt & Pepper
40 - Pearl Gray
90 - Satuki bronze

Complete with
(To be supplied
by StressCrete)

C/W

140 30/30

Tenon (Post Top Mount)

Specify Tenon Size
For example 140 30/30
= 2 7/8" OD & 3" long

Arms* (Pendant Mount)

100 - Top Mounted Tapered
Elliptical Aluminum Arm
120 - Side Mounted Elliptical
Aluminum Arm
130 - Shoe Box Arm
170 - Victorian Scroll Arm

100

GFI

NA

Options*

DR - 2 Outlets
GFI - Ground Fault 2 Outlet
SR - 1 Outlet
LRN - Ladder Rest
BPC - Base Plate Cover
AB - Anchor Bolts
BA - Banner Arms
FH - Flag Holders

Coating

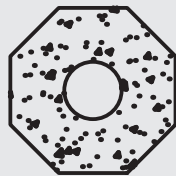
NA - Non Acrylic
A - Acrylic
AG - Anti Graffiti
Coating****

* Consult website for full listings ** See decor colors on page 2 for full selection of colors
*** Please consult factory for additional options.
**** Anti Graffiti Coating is extra, consult factory for more details.

OCTAGONAL

tapered

This popular shape is available in many strengths up to a 50' overall length lighting pole suitable for arm mounted luminaires. Frequently used in both etched and polished finish in many decor colors, it can also be ordered in the economical light gray standard mold finish.



How to Catalog for Octagonal Tapered Pole

Mounting Option

E - Direct Embedment
P - Base Plate

Prestressed

Class A-C

Octagonal
Cross Section

E

300

B

P

O

G

Height

Overall Pole
Length x 10
5' - 50'

Provision for
Electric Ground

Finish

E - Etched Finish
S - Polished Finish

E

10

Color**

10 - Midnight Lace
11 - Eclipse Black
30 - Salt & Pepper
40 - Pearl Gray
90 - Saluki bronze

Complete with
(To be supplied
by StressCrete)

C/W

140 30/30

Tenon (Post Top Mount)

Specify Tenon Size
For example 140 30/30
= 2 7/8" OD & 3" long

Arms* (Pendant Mount)

100 - Top Mounted Tapered
Elliptical Aluminum Arm
120 - Side Mounted Elliptical
Aluminum Arm
130 - Shoe Box Arm
170 - Victorian Scroll Arm

100

GFI

NA

Options*

DR - 2 Outlets
GFI - Ground Fault 2 Outlet
SR - 1 Outlet
LRN - Ladder Rest
BPC - Base Plate Cover
AB - Anchor Bolts
BA - Banner Arms
FH - Flag Holders

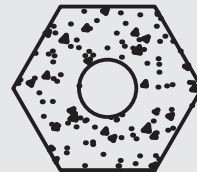
Coating

NA - Non Acrylic
A - Acrylic
AG - Anti Graffiti
Coating***

* Consult website for full listings ** See decor colors on page 2 for full selection of colors
*** Anti Graffiti Coating is extra, consult factory for more details.

HEXAGONAL *tapered*

Having the largest taper of any of our Symmetry Series enables the hexagonal pole to stand out as a very visible vertical component in either a roadway or area lighting scenario. Designed with a 4 3/4" flat to flat tip, it can be used as either a delicate post top or a more substantial arterial pole when teamed with arm mounted luminaires. It is available either in economical mold finish or more upscale decor colors in both etched or polished finishes.



How to Catalog for Hexagonal Tapered Pole

Mounting Option

E - Direct Embedment
P - Base Plate

Prestressed

Class A-B

Hexagonal
Cross Section

E

295

Height

Overall Pole
Length x 10
5' - 29' 6"

B P H

G

Provision for
Electric Ground

Finish

E - Etched Finish
S - Polished Finish

E

10

Color**

10 - Midnight Lace
11 - Eclipse Black
30 - Salt & Pepper
40 - Pearl Gray
90 - Saluki bronze

Complete with
(To be supplied
by StressCrete)

C/W

140 30/30

Tenon (Post Top Mount)

Specify Tenon Size
For example 140 30/30
= 2 7/8" OD & 3" long

Arms* (Pendant Mount)

100 - Top Mounted Tapered
Elliptical Aluminum Arm
120 - Side Mounted Elliptical
Aluminum Arm
130 - Shoe Box Arm
170 - Victorian Scroll Arm

100

GFI

NA

Options*

DR - 2 Outlets
GFI - Ground Fault 2 Outlet
SR - 1 Outlet
LRN - Ladder Rest
BPC - Base Plate Cover
AB - Anchor Bolts
BA - Banner Arms
FH - Flag Holders

Coating

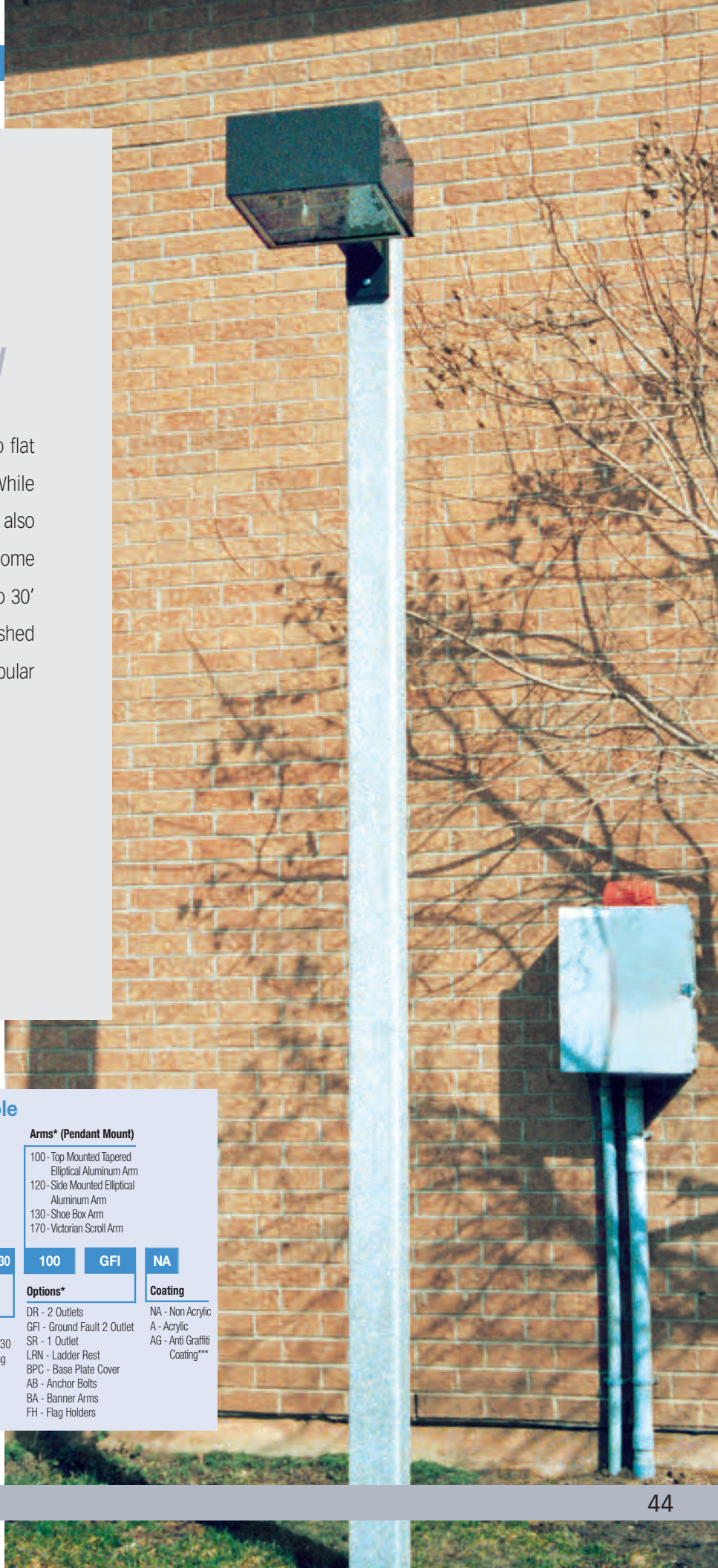
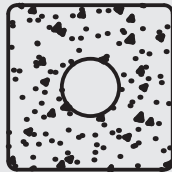
NA - Non Acrylic
A - Acrylic
AG - Anti Graffiti
Coating**

* Consult website for full listings ** See decor colors on page 2 for full selection of colors
***Anti Graffiti Coating is extra, consult factory for more details.

SQUARE

non tapered

This pole type is available in a 5 1/2" flat to flat cross section with rounded corners. While blending well with shoebox luminaires, it can also provide an interesting look when used with some post tops. Available in overall lengths up to 30' in all our decor colors with etched and polished textures, or in the light gray mold finish so popular with many utilities.



How to Catalog for Square Non Tapered Pole

Mounting Option

E - Direct Embedment
P - Base Plate

Prestressed

Class AAA-AA

Non Tapered
Square
Cross Section

E

300

AA

PS

G

Height

Overall Pole
Length x 10
5' - 30'

Provision for
Electric Ground

Finish

E - Etched Finish
S - Polished Finish

E

10

Color**

10 - Midnight Lace
11 - Eclipse Black
30 - Salt & Pepper
40 - Pearl Gray
90 - Saluki bronze

Complete with
(To be supplied
by StressCrete)

C/W

140 30/30

Tenon (Post Top Mount)

Specify Tenon Size
For example 140 30/30
= 2 7/8" OD & 3" long

Arms* (Pendant Mount)

100 - Top Mounted Tapered
Elliptical Aluminum Arm
120 - Side Mounted Elliptical
Aluminum Arm
130 - Shoe Box Arm
170 - Victorian Scroll Arm

100

GFI

NA

Options*

DR - 2 Outlets
GFI - Ground Fault 2 Outlet
SR - 1 Outlet
LRN - Ladder Rest
BPC - Base Plate Cover
AB - Anchor Bolts
BA - Banner Arms
FH - Flag Holders

Coating

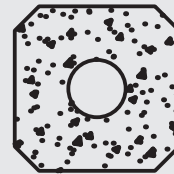
NA - Non Acrylic
A - Acrylic
AG - Anti Graffiti
Coating***

* Consult website for full listings ** See decor colors on page 2 for full selection of colors
*** Anti Graffiti Coating is extra, consult factory for more details.

SQUARE

tapered

The square cross section of this pole comes with chamfered corners. It is available as an arterial lighting pole up to 45' in overall length. All decor colors and finishes are available as well as our economical mold finish in light gray.



How to Catalog for Square Tapered Pole

Mounting Option

E - Direct Embedment
P - Base Plate

Prestressed

Tapered Square Cross Section

Class A-C

E 300 B P T G

Height

Overall Pole Length x 10
5' - 45'

Provision for Electric Ground

Finish

E - Etched Finish
S - Polished Finish

E 10

Color**

10 - Midnight Lace
11 - Eclipse Black
30 - Salt & Pepper
40 - Pearl Gray
90 - Saluki bronze

Complete with (To be supplied by StressCrete)

C/W 140 30/30

Tenon (Post Top Mount)

Specify Tenon Size
For example 140 30/30 = 2 7/8" OD & 3" long

Arms* (Pendant Mount)

100 - Top Mounted Tapered Elliptical Aluminum Arm
120 - Side Mounted Elliptical Aluminum Arm
130 - Shoe Box Arm
170 - Victorian Scroll Arm

100 GFI NA

Options*

DR - 2 Outlets
GFI - Ground Fault 2 Outlet
SR - 1 Outlet
LRN - Ladder Rest
BPC - Base Plate Cover
AB - Anchor Bolts
BA - Banner Arms
FH - Flag Holders

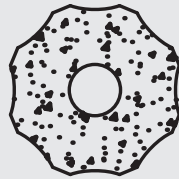
Coating

NA - Non Acrylic
A - Acrylic
AG - Anti Graffiti Coating***

* Consult website for full listings ** See decor colors on page 2 for full selection of colors
***Anti Graffiti Coating is extra, consult factory for more details.

FLUTED *tapered*

This pole is available in an 8 flute cross section with a tapered shaft in lengths up to 29' 6" ensuring that it can be used both as a lower cost decorative post top, or as an arterial pole when teamed with side mounted luminaires. A heavy duty version is also available that can be used in conjunction with our fluted Americana designs when greater mounting heights or heavier torsional loads are needed. Normally used with decor colors in an etched finish, it can also be supplied as a special order in light gray mold finish.



How to Catalog for Fluted Tapered Pole

Mounting Option

E - Direct Embedment
P - Base Plate

Prestressed

Class A-C

Fluted
Cross Section

E

295

B P F

G

Height

Overall Pole
Length x 10
5' - 29' 6"

Provision for
Electric Ground

Finish

E - Etched Finish

10

Color**

10 - Midnight Lace
11 - Eclipse Black
30 - Salt & Pepper
40 - Pearl Gray
90 - Saluki bronze

Complete with
(To be supplied
by StressCrete)

C/W

140 30/30

Tenon (Post Top Mount)

Specify Tenon Size
For example 140 30/30
= 2 7/8" OD & 3" long

Arms* (Pendant Mount)

100 - Top Mounted Tapered
Elliptical Aluminum Arm
120 - Side Mounted Elliptical
Aluminum Arm
130 - Shoe Box Arm
170 - Victorian Scroll Arm

100

GFI

NA

Options*

DR - 2 Outlets
GFI - Ground Fault 2 Outlet
SR - 1 Outlet
LRN - Ladder Rest
BPC - Base Plate Cover
AB - Anchor Bolts
BA - Banner Arms
FH - Flag Holders

Coating

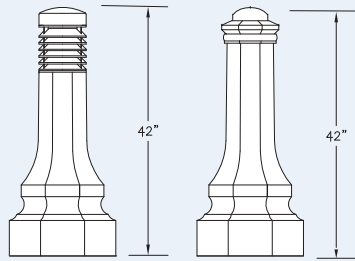
NA - Non Acrylic
A - Acrylic
AG - Anti Graffiti
Coating***

* Consult website for full listings ** See decor colors on page 2 for full selection of colors
***Anti Graffiti Coating is extra, consult factory for more details.

Spun Concrete Bollards



**The BELMONT
KL-C-B**

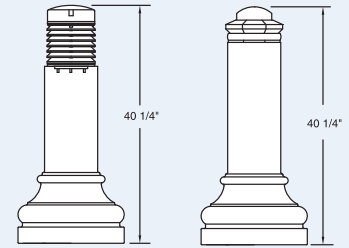


Lighted Bollard

Nonlighted Bollard



**The CANTERBURY
KL-C-YC**

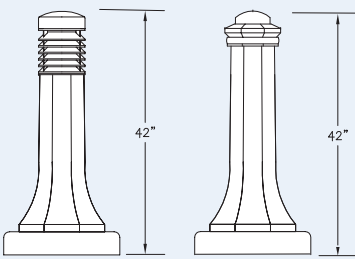


Lighted Bollard

Nonlighted Bollard



**The SHERIDAN
KL-C-SH**

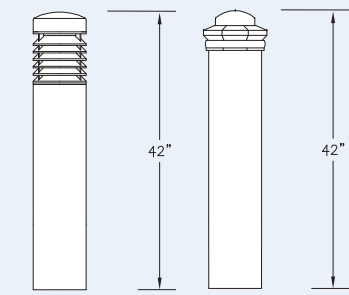


Lighted Bollard

Nonlighted Bollard



**The SILHOUETTE
KL-C-S**

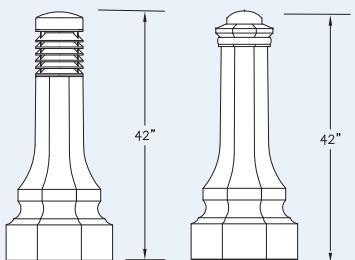


Lighted Bollard

Nonlighted Bollard



**The TALISMAN
KL-C-T**

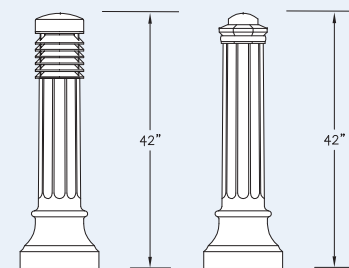


Lighted Bollard

Nonlighted Bollard



**The TRADITIONAL
KL-C-TD**



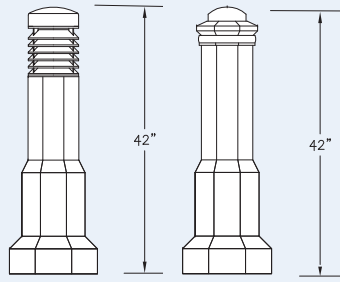
Lighted Bollard

Nonlighted Bollard

* Lighted bollards shown, Nonlighted bollards also available
 ** Bollard specification details can be found on our website



The CLASSIC KL-C-C

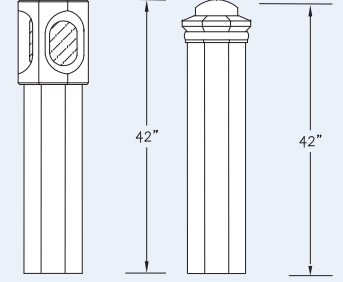


Lighted Bollard

Nonlighted Bollard



The MONITOR KL-C-M

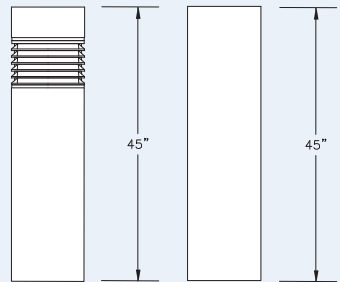


Lighted Bollard

Nonlighted Bollard



The MARTELLO SQUARE KL-C-SQ

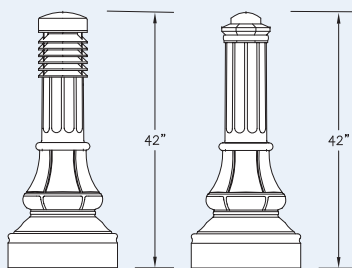


Lighted Bollard

Nonlighted Bollard



The WASHINGTON KL-C-W



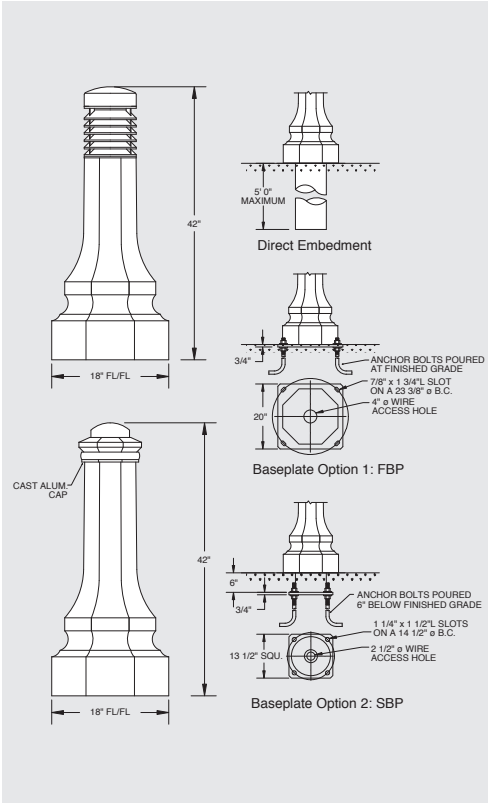
Lighted Bollard

Nonlighted Bollard

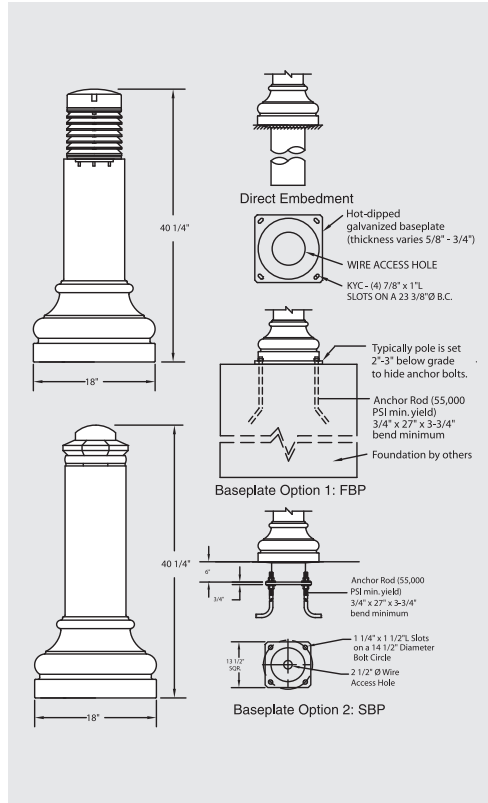


Bollard Mounting Options

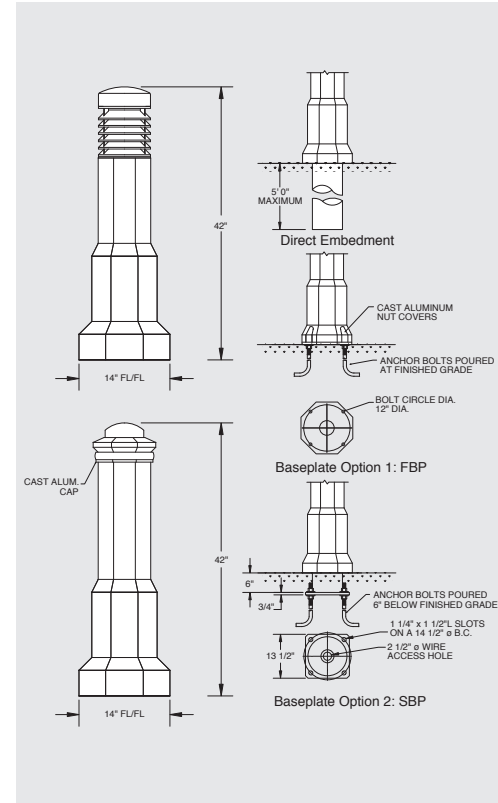
Belmont



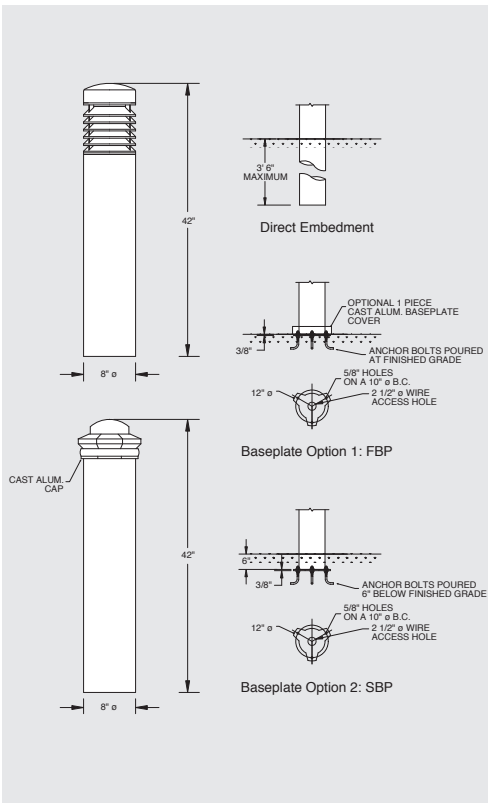
Canterbury



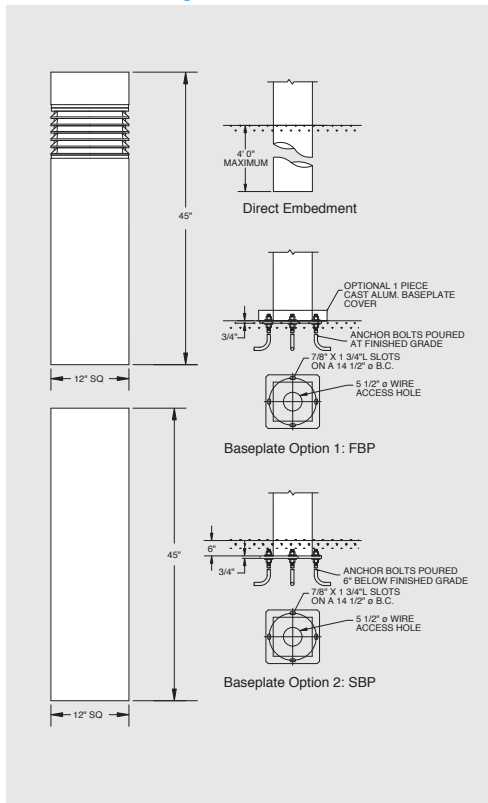
Classic



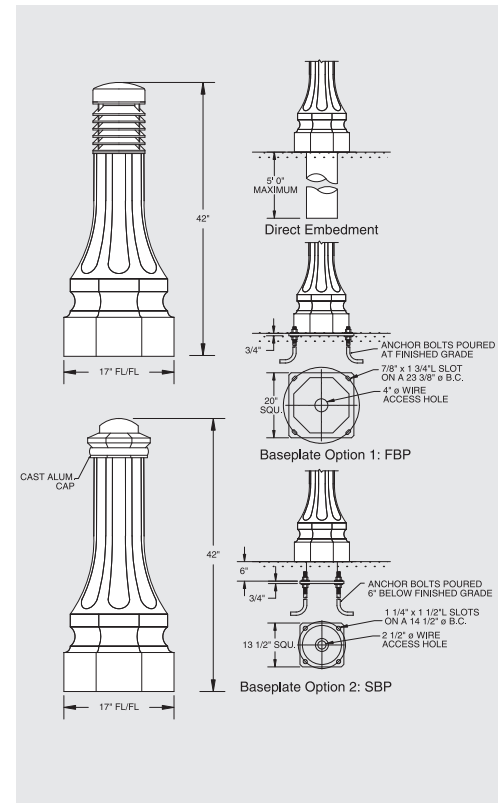
Silhouette



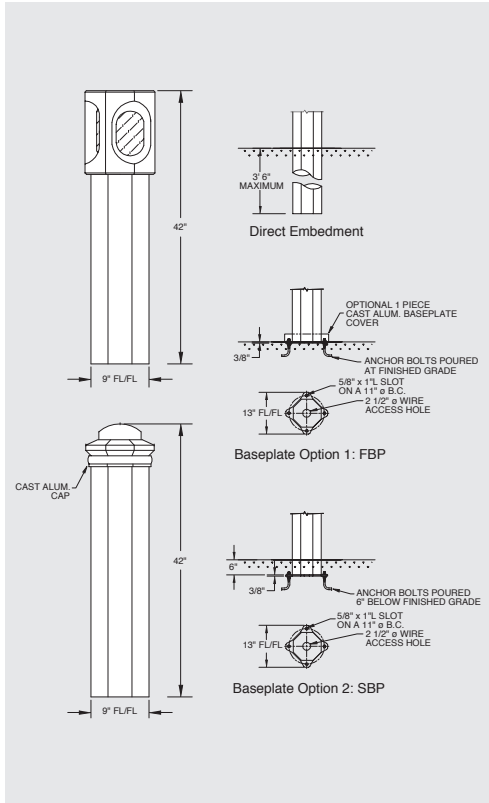
Martello Square



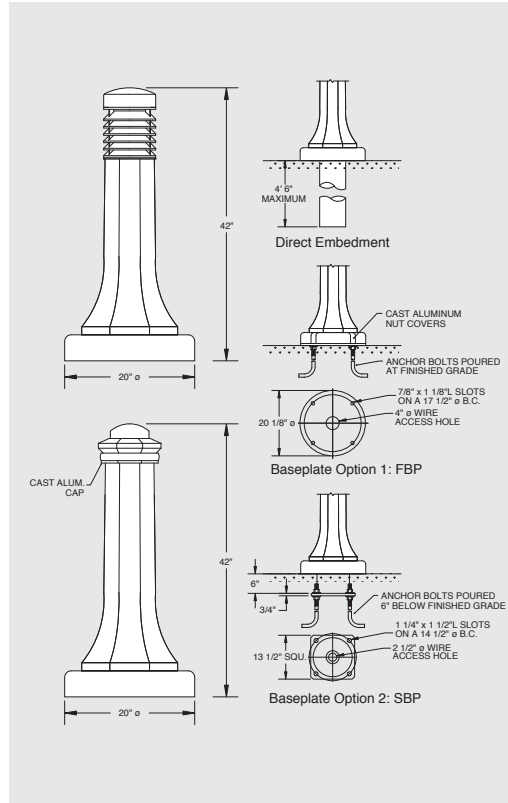
Talisman



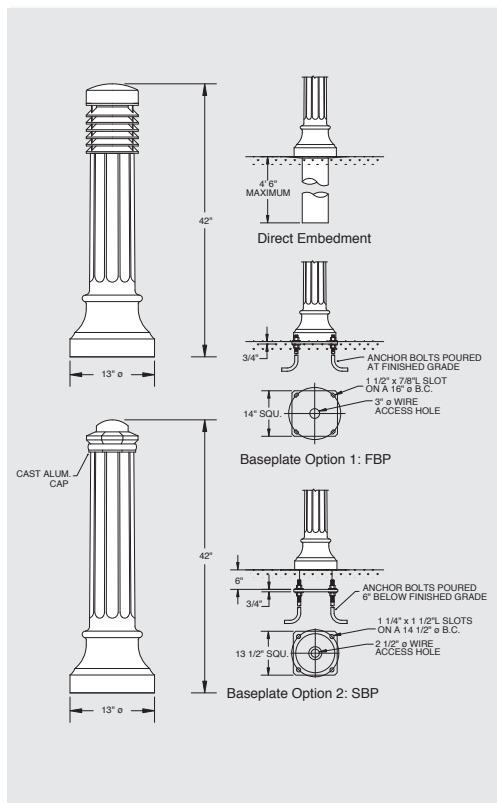
Monitor



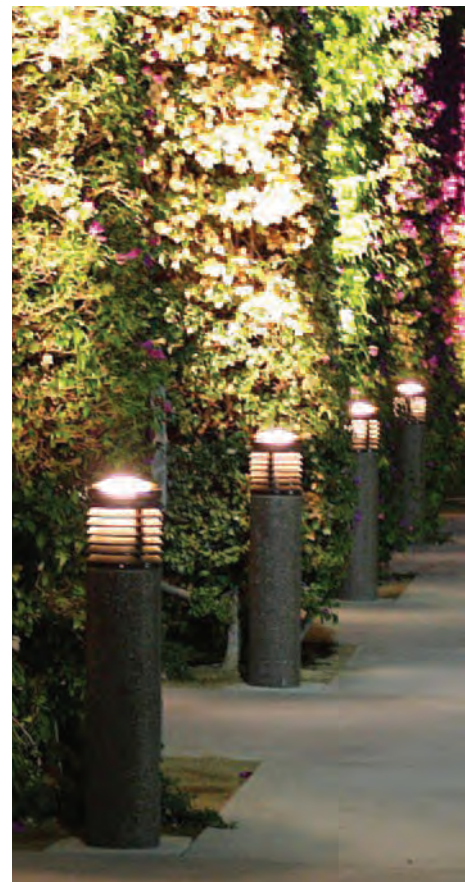
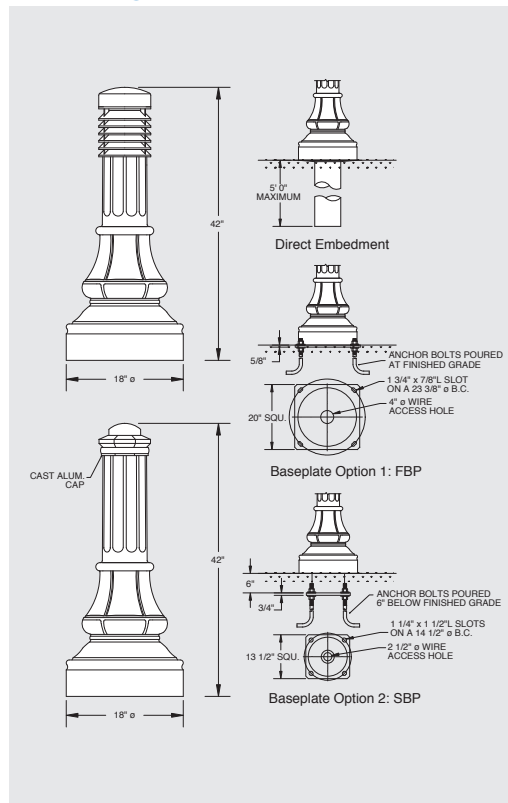
Sheridan



Traditional



Washington



StressCrete® GROUP

U.S.A.

9200 Energy Lane
Northport, Alabama
35476-3442
Toll Free: 1-800-435-6563
Local: (205) 339-0711
Fax: (205) 339-4840

14503 Wallick Road
Atchison, Kansas
66002
Toll Free: 1-800-837-1024
Local: (913) 255-3112
Fax: (913) 255-3124

1153 State Route 46 North
P.O. Box 266
Jefferson, Ohio
44047
Local: (440) 576-9073
Fax: (440) 576-9348

CANADA

840 Walkers Line
P.O. Box 7
Burlington, Ontario
L7R 3X9
Toll Free: 1-800-268-7809
Local: 905-632-9301
Fax: 905-632-8116

695 Arvin Avenue
Stoney Creek, Ontario
L8E 5R2
Toll Free: 1-800-268-7809
Local: 905-632-9301

scgrp.com