



## POLE SPECIFICATIONS

**MATERIAL:**  
Round Non-Tapered Aluminum

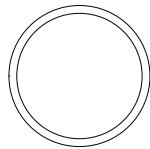
**POLE HEIGHT:**  
10' - 18'

**OPTIONS:**  
GFI - Ground Fault Receptacle  
BA - Banner Arms  
FPH - Flower Pot Holder  
FH - Flag Holder

**ALLOY:**  
6061-T6

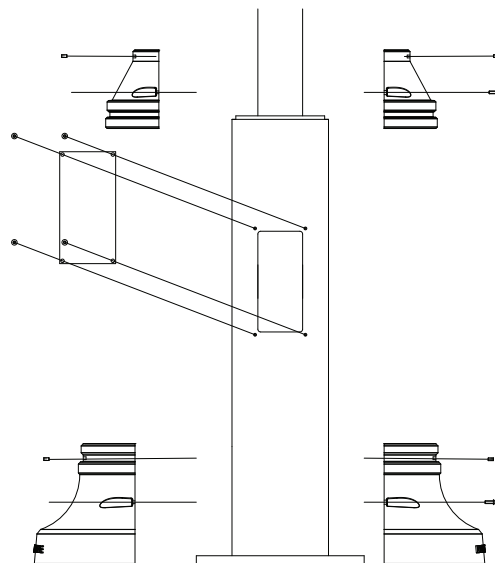
**FINISH:**  
Available in textured or smooth.

### CROSS SECTION:



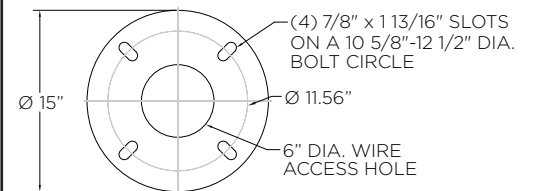
Round Non-Tapered (RE)

## DECORATIVE BASE DETAILS

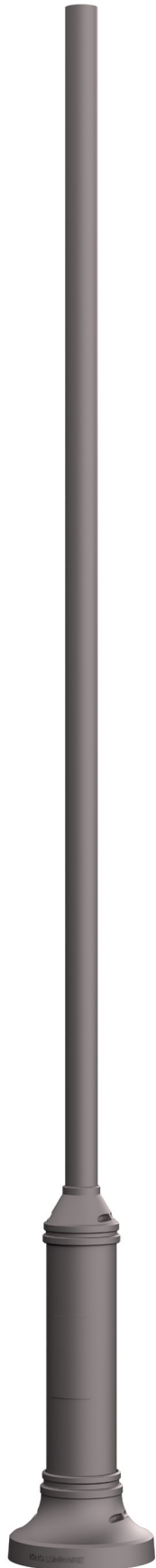
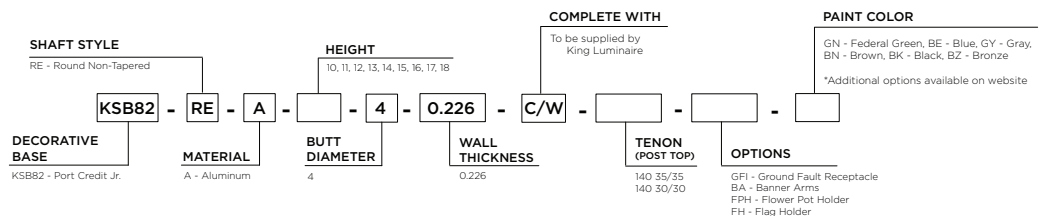


## BASEPLATE DETAILS

Baseplate		Bolt Circle		Anchor Bolts	
Circle (in)	Thickness (in)	Dia (in)	+/- (in)	Dia x Length x Hook (in)	Projection (in)
15	0.75	11.56	0.94	0.75 x 27 x 3.75	3.25



## HOW TO ORDER



# POLE DETAILS

KSB82 THE PORT CREDIT JR.

RE ALUMINUM // Pole Details

Nominal Mounting Height (ft)	Catalog Code	Alloy	Butt (in)	Tip (in)	Wall Thickness (in)	Handhole	Wt. (lbs)
10	KSB82-RE-A-10-4-0.226	6061-T6	4.00	4.00	0.226	4" x 10" (25 1/4" AG)	89.0
11	KSB82-RE-A-11-4-0.226	6061-T6	4.00	4.00	0.226	4" x 10" (25 1/4" AG)	87.0
12	KSB82-RE-A-12-4-0.226	6061-T6	4.00	4.00	0.226	4" x 10" (25 1/4" AG)	77.0
13	KSB82-RE-A-13-4-0.226	6061-T6	4.00	4.00	0.226	4" x 10" (25 1/4" AG)	80.0
14	KSB82-RE-A-14-4-0.226	6061-T6	4.00	4.00	0.226	4" x 10" (25 1/4" AG)	83.0
15	KSB82-RE-A-15-4-0.226	6061-T6	4.00	4.00	0.226	4" x 10" (25 1/4" AG)	86.0
16	KSB82-RE-A-16-4-0.226	6061-T6	4.00	4.00	0.226	4" x 10" (25 1/4" AG)	90.0
17	KSB82-RE-A-17-4-0.226	6061-T6	4.00	4.00	0.226	4" x 10" (25 1/4" AG)	93.0
18	KSB82-RE-A-18-4-0.226	6061-T6	4.00	4.00	0.226	4" x 10" (25 1/4" AG)	96.0

# SHAFT LOADING

RE ALUMINUM // Loading

Nominal Mounting Height (ft)	Catalog Code	Design Information // AASHTO LTS-6, Latest Revision **									
		90 MPH		100 MPH		110 MPH		120 MPH		150 MPH	
		Max EPA (sq ft)	Max Load (lbs)	Max EPA (sq ft)	Max Load (lbs)	Max EPA (sq ft)	Max Load (lbs)	Max EPA (sq ft)	Max Load (lbs)	Max EPA (sq ft)	Max Load (lbs)
10	KSB82-RE-A-10-4-0.226	9.6	200	7.6	200	6.0	200	4.9	200	3.0	200
11	KSB82-RE-A-11-4-0.226	8.0	200	6.2	200	4.9	200	3.9	200	2.3	200
12	KSB82-RE-A-12-4-0.226	6.8	200	5.2	200	4.0	200	3.1	200	1.8	200
13	KSB82-RE-A-13-4-0.226	5.7	200	4.3	200	3.2	200	2.5	200	1.4	200
14	KSB82-RE-A-14-4-0.226	4.8	200	3.5	200	2.6	200	1.9	200	1.0	200
15	KSB82-RE-A-15-4-0.226	4.1	200	2.9	200	2.0	200	1.4	200	0.6	200
16	KSB82-RE-A-16-4-0.226	3.4	200	2.3	200	1.5	200	0.9	200	-	-
17	KSB82-RE-A-17-4-0.226	2.7	200	1.7	200	1.0	200	0.5	200	-	-
18	KSB82-RE-A-18-4-0.226	2.1	200	1.2	200	0.5	200	-	-	-	-

\*\* EPA represents the Effective Projected Area of the attachments on the pole. Designs are limited to post top luminaires or attachments located at or below the mounting height. Consult factory for poles supporting attachments located above the mounting height.

06-05-2024