

# KSB77 // MONTGOMERY JR.

## DECORATIVE SPLIT BASE



The Montgomery Jr. provides a substantial base with great detail. The aluminum clam shell base offers easy installation and can be combined with various shaft styles in aluminum or steel.

## SPECIFICATIONS

**MATERIAL:**

Cast Aluminum

**WEIGHT:**

52 lbs

**BASE HEIGHT:**

31.1875"

**BASE WIDTH:**

18.1875"

**HANDHOLE HEIGHT:**

16"

**MAX. OPENING:**

10"

**MAX. BUTT SIZE:**

9" (Non-tapered)  
9" (0.14"/ft Tapered)

**MAX. BASEPLATE:**

12.0625" (1" Thick Square w/ 1.75" Corner Radius)  
15.5625" Ø (1" Thick Circle)

**MAX. ANCHOR BOLT PROJECTION:**

4.5"

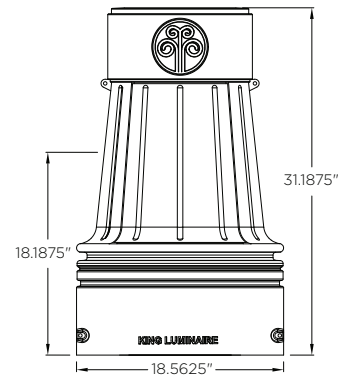
## COMPATIBLE POLES

Pole Style	Pole Butt Size
RF	6.5
	7
	8 *
	9 *
FF	6.5
	7
	8 *
	9 *

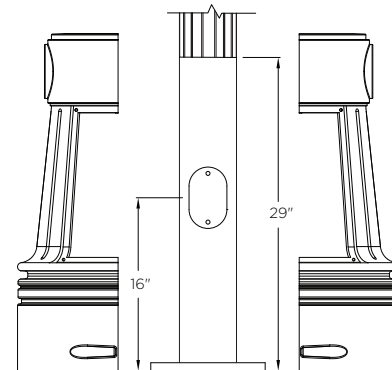
\* Recommended size

Note: Recommended sizes reflect those with the best overall looking fit of pole and base combination.

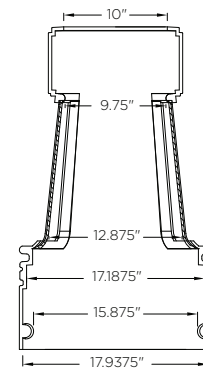
## BASE DIMENSIONS



Split Base Detail



Split Base Detail with Shaft



Cross Section Detail