

KSB16 // FLORENTINE SR.

DECORATIVE SPLIT BASE



The Florentine Sr. offers elegance and style with an historic feel. The cast aluminum clam shell base offers easy installation and is available with either a round or fluted aluminum or steel shaft.

SPECIFICATIONS

MATERIAL:

Cast Aluminum

WEIGHT:

59 lbs

BASE HEIGHT:

24.75"

BASE WIDTH:

23.8125"

HANDHOLE HEIGHT:

14"

MAX. OPENING:

8.25"

MAX. BUTT SIZE:

8" (Non-tapered)
8.4" (0.14"/ft Tapered)

MAX. BASEPLATE:

15.5" (1" Thick Square w/ 1.75" Corner Radius)
20.5" Ø (1" Thick Circle)

MAX. ANCHOR BOLT PROJECTION:

4.5"

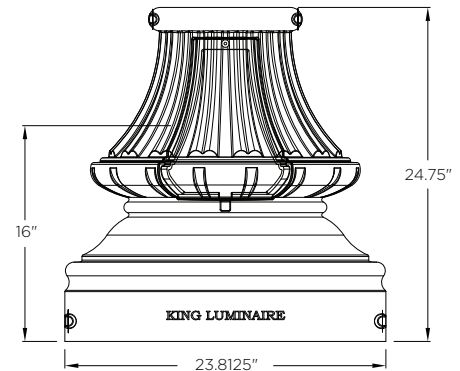
COMPATIBLE POLES

Pole Style	Pole Butt Size
RE	6.63 *
RF	5.57
	6.5 *
	7 *
	8 *
FE	6.5*
FF	5.57
	6.5 *
	7 *
	8 *

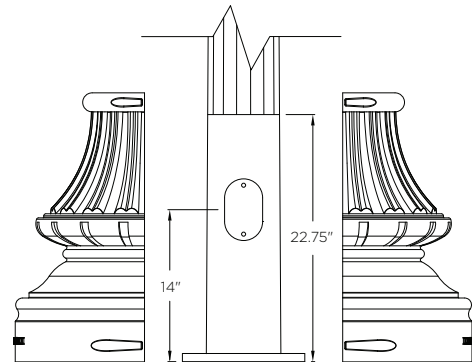
* Recommended size

Note: Recommended sizes reflect those with the best overall looking fit of pole and base combination.

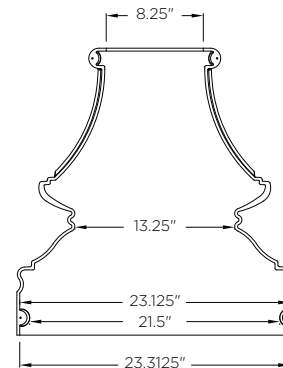
BASE DIMENSIONS



Split Base Detail



Split Base Detail with Shaft



Cross Section Detail