

KSB10 // FLORENTINE JR.

DECORATIVE SPLIT BASE



The Florentine Jr. offers elegance and style with an historic feel. The cast aluminum clam shell base offers easy installation and is available with either a round or fluted aluminum or steel shaft.

SPECIFICATIONS

MATERIAL:

Cast Aluminum

WEIGHT:

32 lbs

BASE HEIGHT:

17.75"

BASE WIDTH:

17"

HANDHOLE HEIGHT:

9"

MAX. OPENING:

5.75"

MAX. BUTT SIZE:

5.625" (Non-tapered)

5.75" (0.14"/ft Tapered)

MAX. BASEPLATE:

11.25" (1" Thick Square w/ 1.75" Corner Radius)

12.25" (0.75" Thick Square w/ 1.75" Corner Radius)

14.5" Ø (1" Thick Circle)

16" Ø (0.75" Thick Circle)

MAX. ANCHOR BOLT PROJECTION:

4.5" (1" Thick); 3.5" (0.75" Thick)

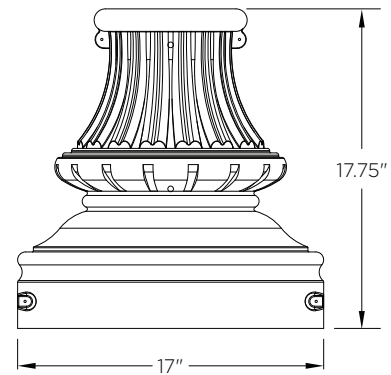
COMPATIBLE POLES

Pole Style	Pole butt Size
RE	4
	4.5
	5 *
	5.56 *
RF	5.75 *
FE	5.25*
FF	5.75*

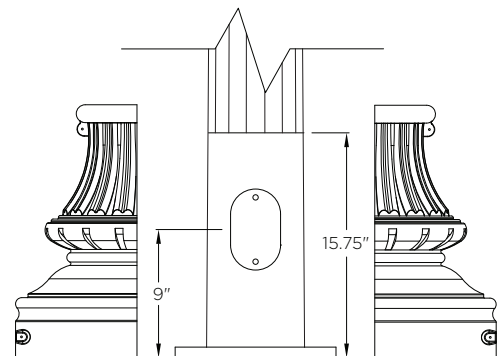
* Recommended size

Note: Recommended sizes reflect those with the best overall looking fit of pole and base combination.

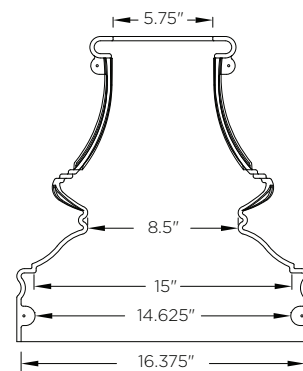
BASE DIMENSIONS



Split Base Detail



Split Base Detail with Shaft



Cross Section Detail