



KG CAPRICORN GLOBE - LED

With its roots strongly planted in the yesteryear, the KG Capricorn is a classic round globe suitable for any architectural setting, whether historical or contemporary. Today it is utilized in a variety of situations, from lighting roads to pathways, parks and building exteriors.



King Luminaire

PRODUCT SPECIFICATIONS

B2/B3 LED ENGINE

Light engine shall be an array of 36, 42, 54 or 63 solid state Cree X-Series high power LEDs (light emitting diodes) mounted to a multi-sided, vertical heat sink of highly conductive aluminum. The LED emitters are mounted to removable circuit boards such that they are in full thermal contact with the vertical heat sink. The emitters are arranged in various patterns on each face of the vertical heat sink to provide the required light distribution.

The LED arrays include optical baffles constructed of optical grade ABS plastic with a vacuum metallized reflective surface or clear acrylic precision refractors over each diode. Optical options are designed to efficiently control light distribution in IESNA Type IV & V for the B3 and Type III & V for the B2.

T1 LED ENGINE

The light engine shall be an array of 4 or 6 Cree Chip On Board (COB) diodes mounted to a highly conductive aluminum extrusion with the use of 2 electrical connectors. The aluminum extrusion will be mechanically attached to a thermal heat sink at both the top and the bottom of the aluminum extrusion. It shall remain in thermal contact to the heat sinks with the use of conductive silicone. There will be an aluminum uplight reflector for both Type IV & Type V IESNA distribution patterns.

LUMINAIRE CONSTRUCTION

All KG Capricorn Globe cast components shall consist of a heavy cast aluminum. The main body or capital acts as an enclosure for the driver assembly and is of adequate thickness to give sufficient structural rigidity. The capital shall have an opening at the base tenon body to allow the luminaire to be mounted to a tenon of 3-1/2" maximum diameter x 3-1/2" maximum length. The luminaire shall be locked in place by means of heavy duty, stainless steel set-screws.

GLOBE ASSEMBLY

The protective globe shall be molded of either white or clear acrylic.

The globe assembly is a self-contained unit consisting of the globe, rugged cast locking ring, and the LED light engine and optical control. The LED light engine is of a modular design, and is able to be quickly removed from the globe assembly. The globe

assembly is secured to the main housing by means of a spring-tensioned, twist-locking Rotolock™ unit to allow tool-less removal of the globe, while maintaining a secure seal between the globe assembly and the main body of the luminaire, making the KG Capricorn Globe suitable for an outdoor environment.

B2/B3 DRIVER

The LED universal dimmable driver will be class 2 and capable of 120 - 277V or 347 - 480V input voltage, greater than 0.9 power factor and less than 20% total harmonic distortion. The case temperature of the driver can range from -40°C to 70°C. Each LED system comes with a standard surge protection designed to withstand up to 20kV/10kA of transient line surge as per IEEE C62.41.2 C High. An in-line ferrite choke is utilized to provide protection against EFT's. The driver assembly will be mounted on a heavy duty fabricated galvanized steel bracket to allow complete tool-less maintenance. Dimming capable using 1-10Vdc (10% to 100%), 10v PWM, or resistance.

T1 DRIVER

CSA certified and/or UL listed, electronic programmable, Constant Light Output (CLO) driver with a 0-10V dimming lead. Driver shall supply correct DC voltage and current to maintain proper operation of the emitters. The driver shall be UL1310/UL48 Class 1 certified, and contain over-circuit, over-voltage, and over-power protection. Each LED system comes with a standard surge protection designed to withstand up to 20kV/10kA of transient line surge as per IEEE C62.41.2 C High. An in-line ferrite choke is utilized to provide protection against EFT's. The multi-volt driver shall be capable to connect to AC input voltages of 120V, 240V and 277V. Limited wattage options are available for 347-480V. The driver shall have a case temperature range of -40°C to 60°C and the driver casing shall have a minimum ingress protection rating of IP67. Dimming capable using 1-10Vdc (10% to 100%), 10v PWM, or resistance.

PHOTOMETRICS

Fixtures are tested to IESNA LM79 specifications. These reports are available upon request.

CHROMATICITY

High output LEDs come standard at 3000K & 4000K (+/- 300K) with a

minimum nominal 70 CRI. Additional CCT emitters are available upon request.

LUMEN MAINTENANCE

Reported (TM21) and Calculated (L70) reports are available upon request with a minimum calculated value of 100,000 hrs.

WIRING

All internal wiring and connections shall be completed so that it will be necessary only to attach the incoming supply connectors to Mate-N-Lok connectors or to a terminal block. Mate-N-Lok shall be certified for 600V operation. Internal wire connectors shall be crimp connector only and rated at 1000V and 150°C. All wiring to be CSA certified and/or UL listed, type SFF-2, SEWF-2, or SEW-2 No. 14 gauge, 150°C, 600V, and color coded for the required voltage.

THERMALS

Fixtures tested by a DOE sanctioned test facility to determine the maximum in-situ solder-point or junction-point temperatures of the LED emitters. This report is available upon request.

FINISH

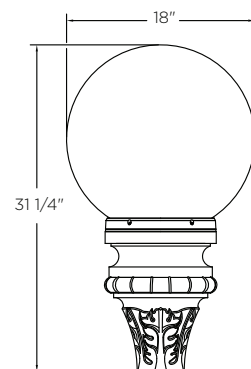
Housing is finished with a 13 step KingCoat™ SuperDurable polyester TGIC powder coat. Standard colors include strobe white, brown metal, marina blue, gate gray, Chicago bronze, standard gold, standard black, federal green and rain forest. Please see our website for a complete list of colors. RAL and custom color matches are available.

MISCELLANEOUS

All exterior hardware and fasteners, wholly or partly exposed, shall be stainless steel alloy. All internal fasteners are stainless steel or zinc coated steel. All remaining internal hardware is stainless steel, aluminum alloy, or zinc coated steel.

WARRANTY

The KG Capricorn Globe LED luminaire comes with a 7 year limited warranty.



KG18 C/W K13 CAPITAL

CERTIFICATION:

Suitable for wet locations
LM79 / LM80 Compliant

DRIVER INFO:

>0.9 Power Factor
<20% Total Harmonic Distortion
120 - 277V & 347 - 480V
-40°C Min. Case Temperature
60°C Max. Case Temp. (T1)
70°C Max. Case Temp. (R1/B3)
Surge Protection: ANSI C136.2
extreme level 20kV/10kA
Dimming Capable: 1-10Vdc

EPA:

1.27 sq. ft.

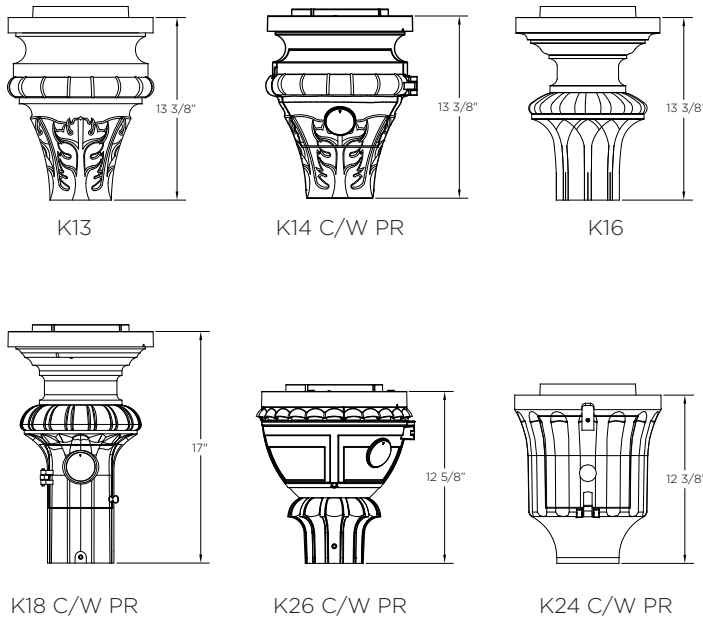
FIXTURE WEIGHT:

34 lbs

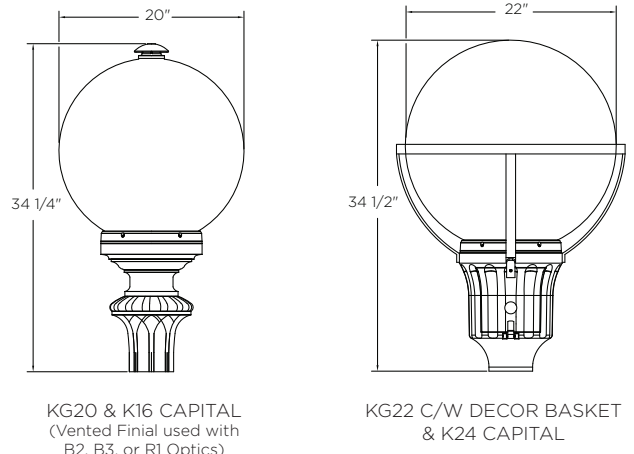


Contact King Luminaire for product specifications that are exempt from CSA Certification.
12-13-2024

Capital Options



Decorative Options



HOW TO ORDER

