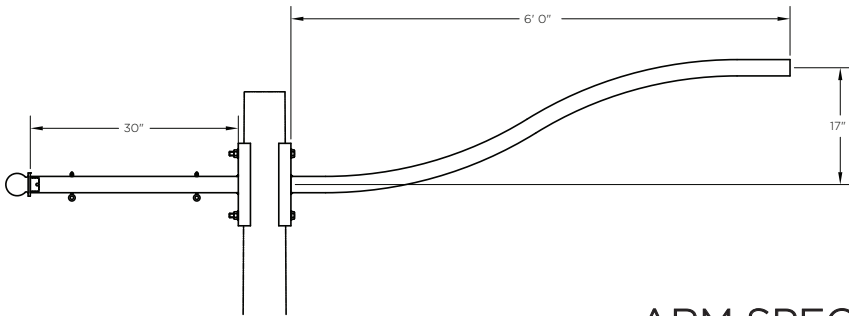


KA94 // THE BRONTE

DECORATIVE ARM



The King Luminaire KA94 Aluminum Arm is a modern design with minimal detail. This aluminum arm is available in a variety of lengths in single and double arm configurations. The KA94 provides a sleek solution for any street lighting project.

ARM SPECIFICATIONS

MATERIAL:
Aluminum

MOUNTING TYPE:
Side

ARM QUANTITY:
Single

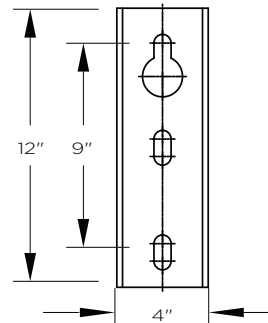
ARM LENGTHS:
6' and 8'

FINISH:
Available in textured or smooth.

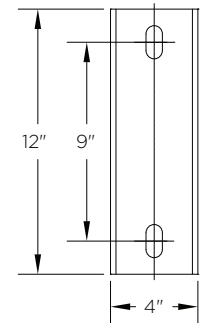
EPA
2.00 - 2.86 sq. ft.

WEIGHT
21 - 27 lbs

MOUNTING TYPES:

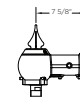


Side Mount Details
4" x 1 3/4" x 12"L

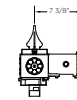


Accessory Mount Details
4" x 1 3/4" x 12"L

LEVELING DEVICE:



KPL20



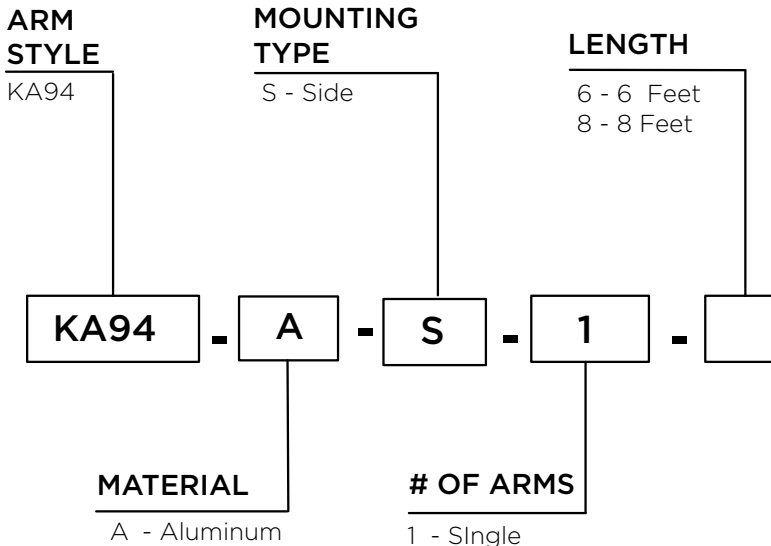
KPL30

*See leveling device spec sheet for more options

ARM DIMENSIONS:

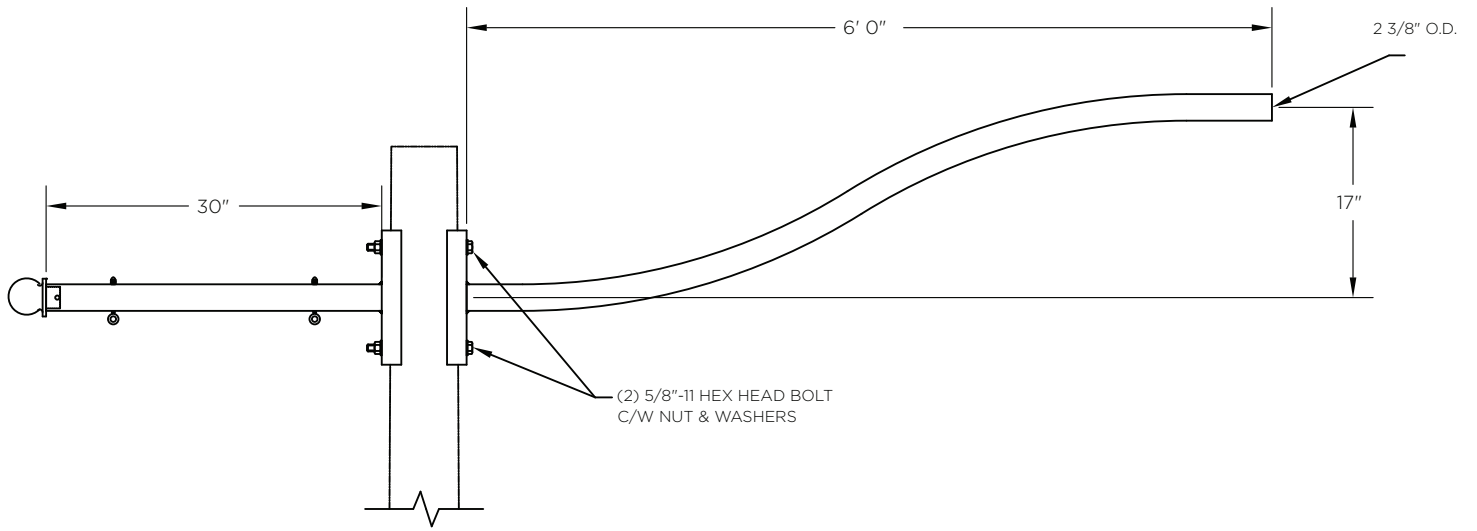
Run	Rise
6'	17"
8'	27 1/8"

HOW TO ORDER

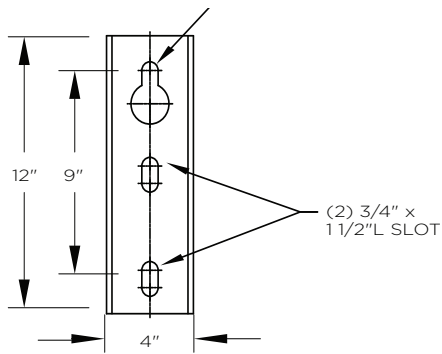


EPA & WEIGHT

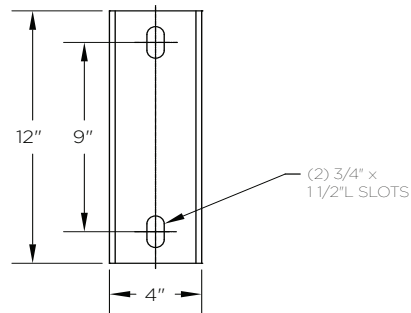
Catalog Number	Mount Type	# Of Arms	L. (ft)	EPA (sq ft)	Wt. (lbs)
KA94-A-S-1-6	Side	1	6	2.00	21
KA94-A-S-1-8	Side	1	8	2.86	27



Side Mount Single Arm



Side Mount Details



Accessory Mount Details