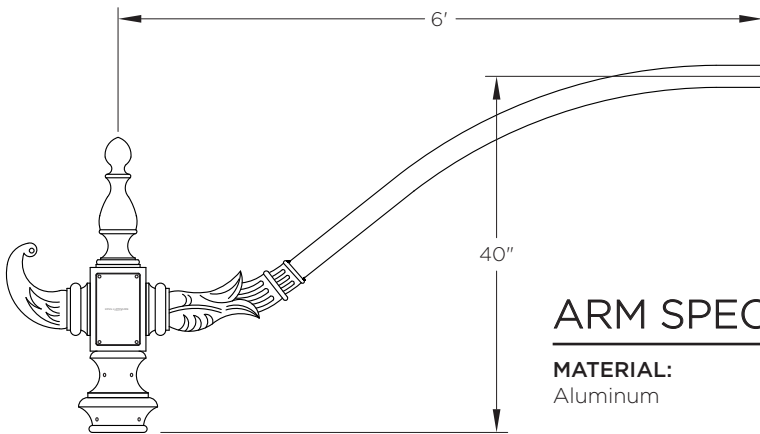


KA72 // ATLANTIC ARM

DECORATIVE ARM



The King Luminaire KA72 Atlantic Arm is a decorative arm with stylistic flourishes and historical charm. Available in a variety of lengths and single or double arm configurations, the KA72 is a stunning tenon mount solution.

ARM SPECIFICATIONS

MATERIAL:
Aluminum

MOUNTING TYPE:
Tenon 1 (4.5" Ø Pole Top)
Tenon 2 (6" Ø Pole Top)

ARM QUANTITY:
Single
Double

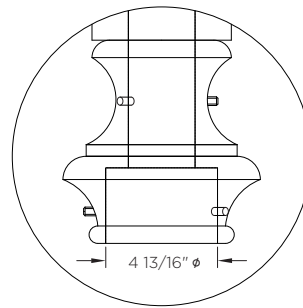
ARM LENGTHS:
3'
4'
6'
8'

FINISH:
Available in textured or smooth.

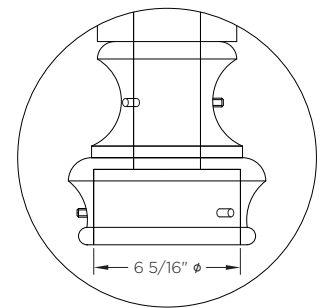
EPA
2.57 - 6.20 sq. ft.

WEIGHT
45 - 72 lbs

MOUNTING TYPES:



T1 Tenon Mount Details
(4 1/2" Ø Pole Top)

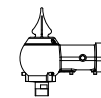


T2 Tenon Mount Details
(6" Ø Pole Top)

ARM DIMENSIONS:

Run	Rise
3'	24"
4'	27"
6'	40"
8'	54"

LEVELING DEVICE:



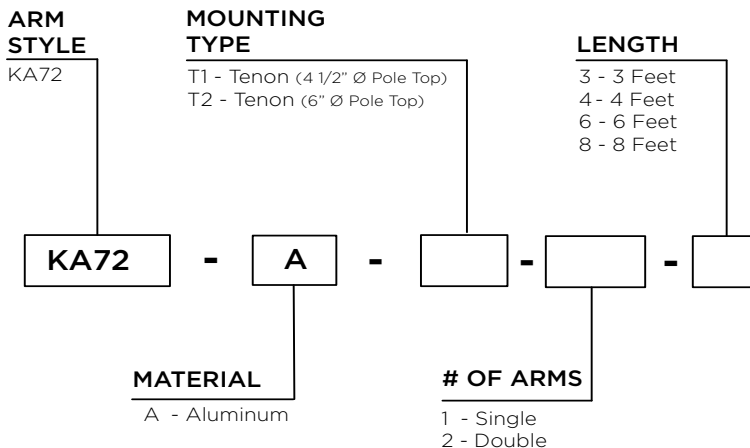
KPL20



KPL30

*See leveling device spec sheet for more options

HOW TO ORDER



EPA & WEIGHT

Catalog Number	Mount Type	# of Arms	L. (ft)	EPA (sq ft)	Wt. (lbs)
KA72-A-T-1-3	Tenon	1	3	2.57	45
KA72-A-T-1-4	Tenon	1	4	2.74	46
KA72-A-T-1-6	Tenon	1	6	3.24	52
KA72-A-T-1-8	Tenon	1	8	3.80	56
KA72-A-T-2-3	Tenon	2	3	3.21	50
KA72-A-T-2-4	Tenon	2	4	3.55	52
KA72-A-T-2-6	Tenon	2	6	4.56	64
KS72-A-T-2-8	Tenon	2	8	6.20	72

CONFIGURATION OPTIONS

KA72 DECORATIVE ARM

