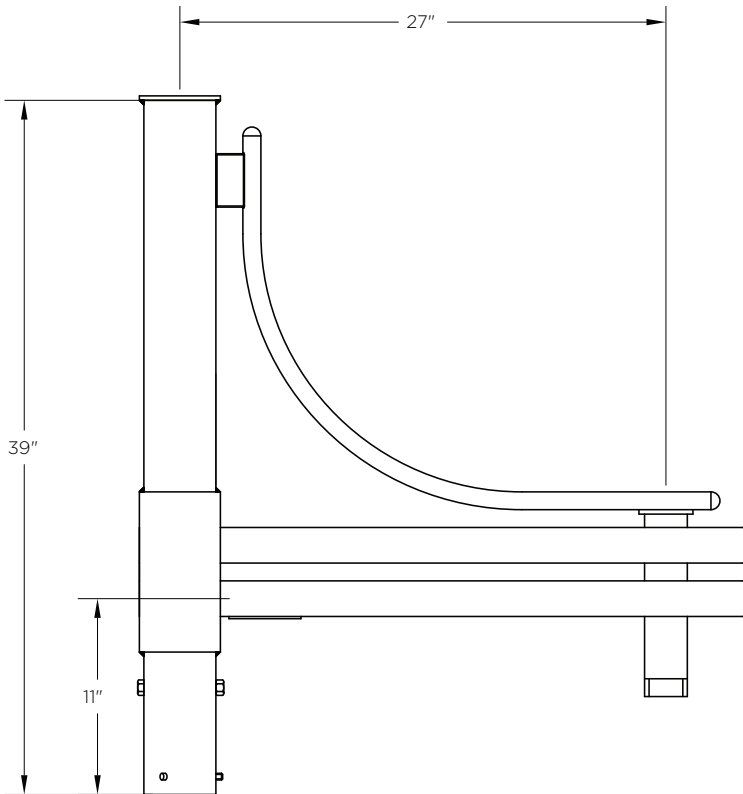


# KA55 // THE MARINA 5

## DECORATIVE ARM



The King Luminaire KA55 Arm is designed with modern lines and minimal detail. This aluminum arm is available in a single mount arm configuration. The KA55 provides an ideal solution for any project.

### ARM SPECIFICATIONS

**MATERIAL:**  
Aluminum

**MOUNTING TYPE:**  
Tenon

**ARM QUANTITY:**  
Single  
Double

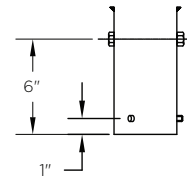
**ARM LENGTHS:**  
Fixed Length

**FINISH:**  
Available in textured or smooth.

**EPA**  
1.23 sq. ft. - 4.0 sq. ft.

**WEIGHT**  
23 lbs - 45 lbs

#### MOUNTING TYPES:



Tenon Mount Details  
To Accept 2 7/8" O.D.  
x10" Long Tenon

#### LEVELING DEVICES:

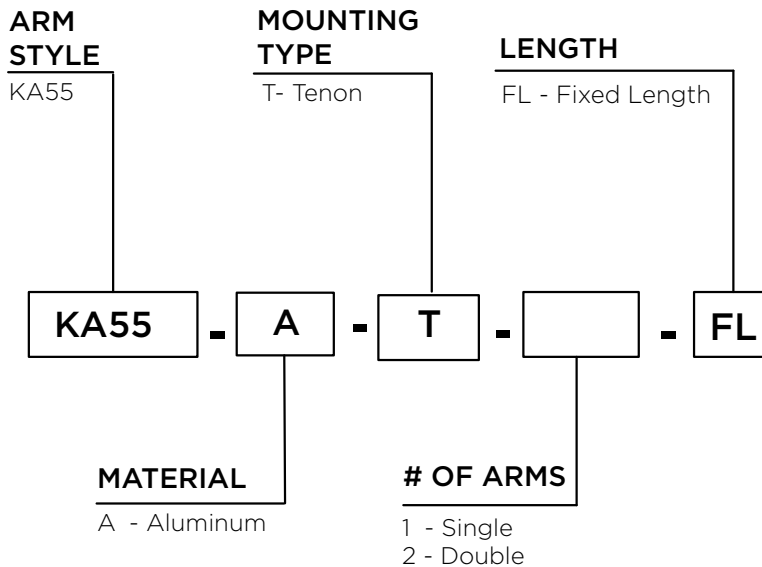


KPL10

KPL11

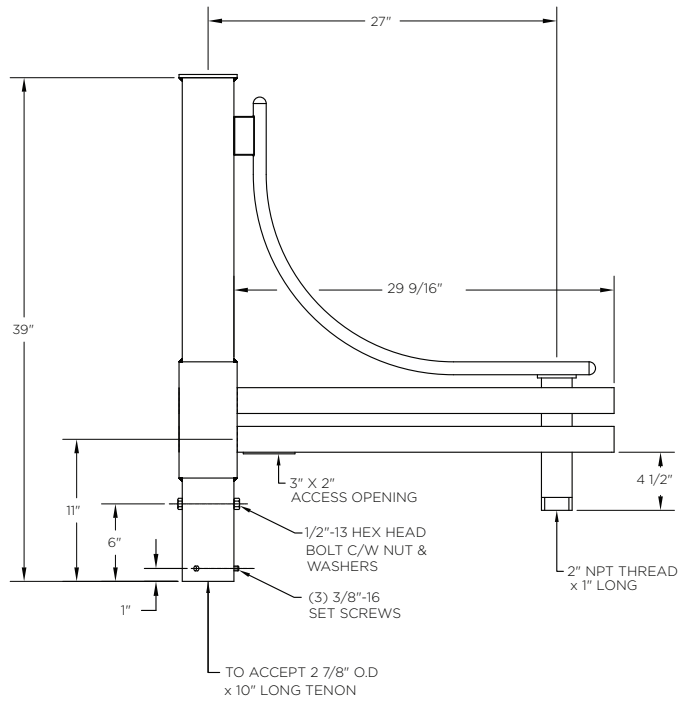
\*See leveling device spec sheet for more options

### HOW TO ORDER

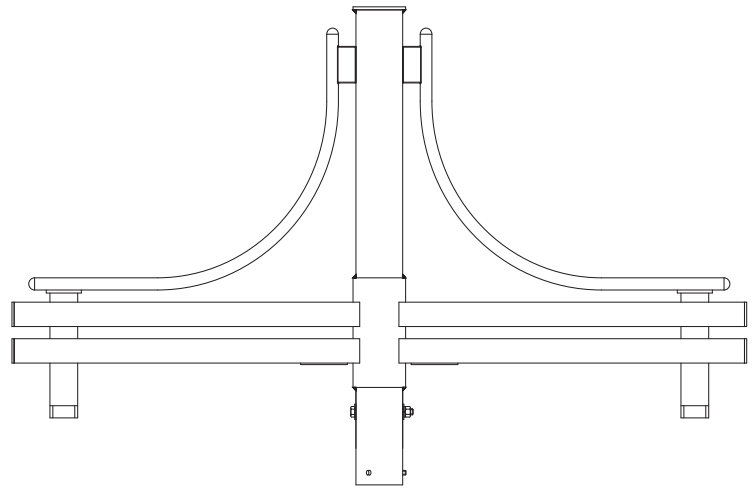


### EPA & WEIGHT

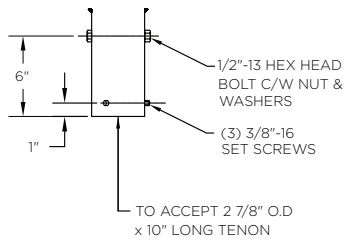
Catalog Number	Mount Type	# of Arms	EPA (sq ft)	Wt. (lbs)
KA55-A-T-1-FL	Tenon	1	1.23	23
KA55-A-T-2-FL	Tenon	2	4.0	45



Tenon Mount Single Arm



Tenon Mount Double Arm



Tenon Mount Details