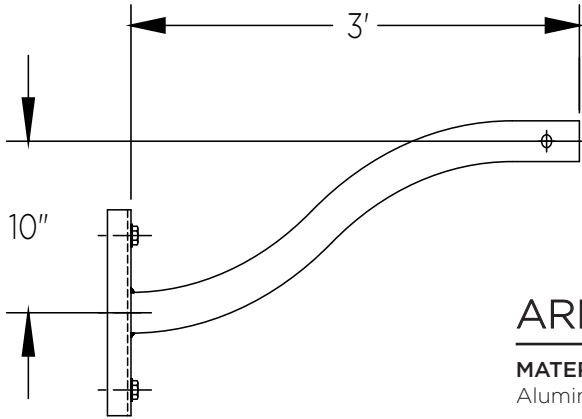


KA42 // IRVINE ARM

DECORATIVE ARM



The King Luminaire KA42 Irvine Arm is a simplistic arm with sleek, curved lines. Available in either side, tenon or wall mount, and single or double arm configurations. The KA42 is the ideal solution for a straight forward project.

ARM SPECIFICATIONS

MATERIAL:
Aluminum

MOUNTING TYPE:
Side
Tenon
Wall

ARM QUANTITY:
Single
Double

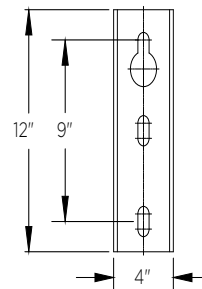
ARM LENGTH:
Fixed Length (3')

FINISH:
Available in textured or smooth.

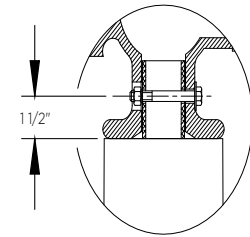
EPA
0.83 - 1.68 sq. ft.

WEIGHT
7 - 15 lbs

MOUNTING TYPES:



Side Mount Details
4" x 9" x 12"L



Tenon Mount Details
TO ACCEPT 2 3/8" DIAMETER
X 2 3/4"L TENON

ARM DIMENSIONS:

Run	Rise
3'	10"

LEVELING DEVICE:



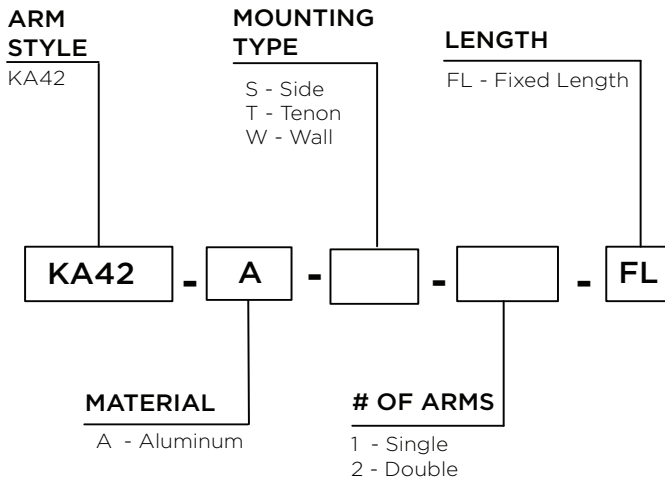
KPL20



KPL30

*See leveling device spec sheet for more options

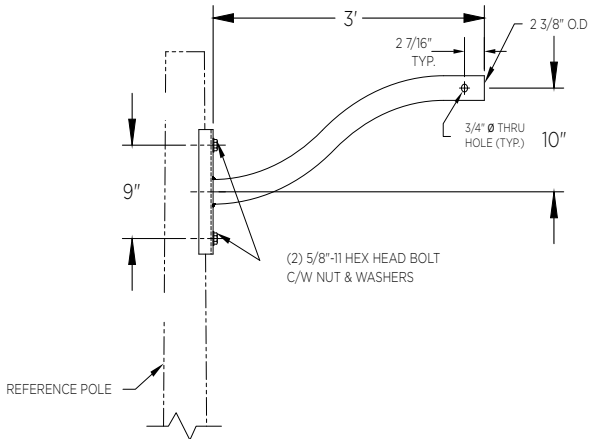
HOW TO ORDER



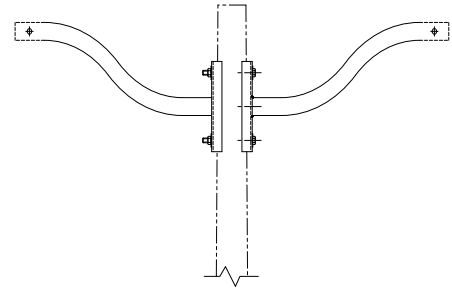
EPA & WEIGHT

Catalog Number	Mount Type	# of Arms	L. (ft)	EPA (sq ft)	Wt. (lbs)
KA42-A-S-1-FL	Side	1	3	0.83	7
KA42-A-S-2-FL	Side	2	3	1.65	14
KA42-A-T-1-FL	Tenon	1	3	1.17	8
KA42-A-T-2-FL	Tenon	2	3	1.68	15
KA42-A-W-1-FL	Wall	1	3	0.83	7

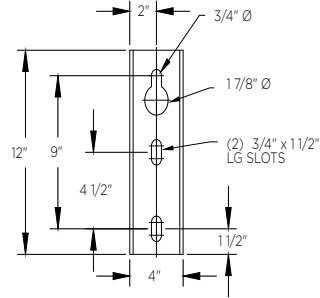
Side Mount Single Arm



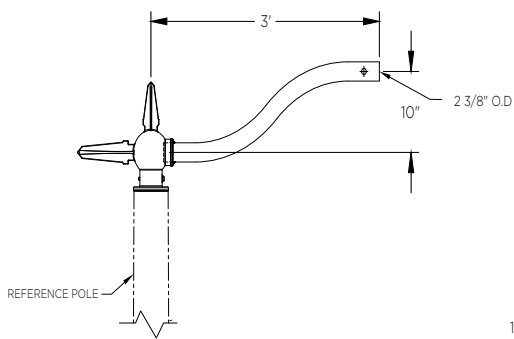
Side Mount Double Arm



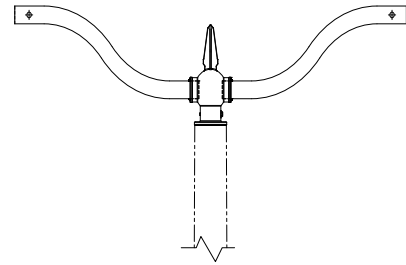
Side Mount



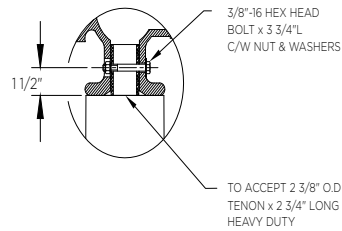
Tenon Mount Single Arm



Tenon Mount Double Arm



Tenon Mount



Wall Mount Single Arm

