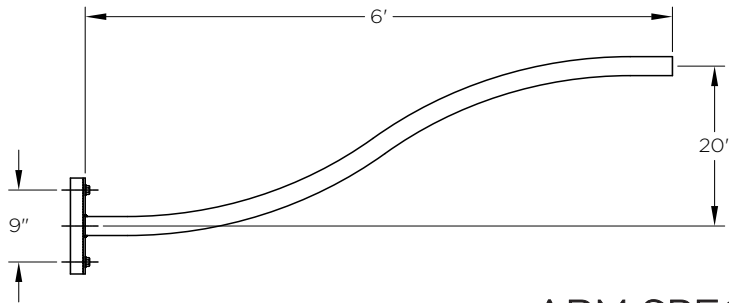


KA32 // PIPE ARM

DECORATIVE ARM



The King Luminaire KA32 Pipe Arm is an effortless design. Available in a variety of lengths, in either side, tenon or wall mount, and single or double arm configurations, the KA32 is a simple solution for any situation.

ARM SPECIFICATIONS

MATERIAL:
Aluminum

MOUNTING TYPE:
Side
Tenon
Wall

ARM QUANTITY:
Single
Double

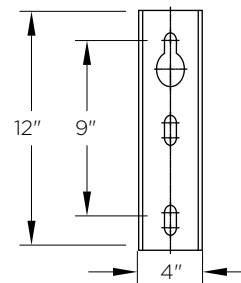
ARM LENGTHS:
4'
6'
8'

FINISH:
Available in textured or smooth.

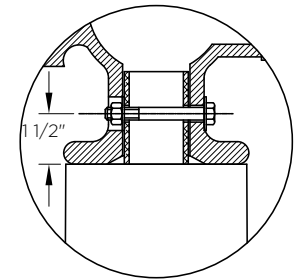
EPA
1.09 - 4.13 sq. ft.

WEIGHT
8 - 38 lbs

MOUNTING TYPES:



Side Mount Details
4" x 1 3/4" x 12"L

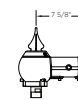


Tenon Mount Details
TO ACCEPT 2 3/8" DIAMETER
X 2 3/4"L TENON

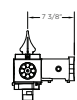
ARM DIMENSIONS:

Run	Rise
4'	16"
6'	20"
8'	27"

LEVELING DEVICE:



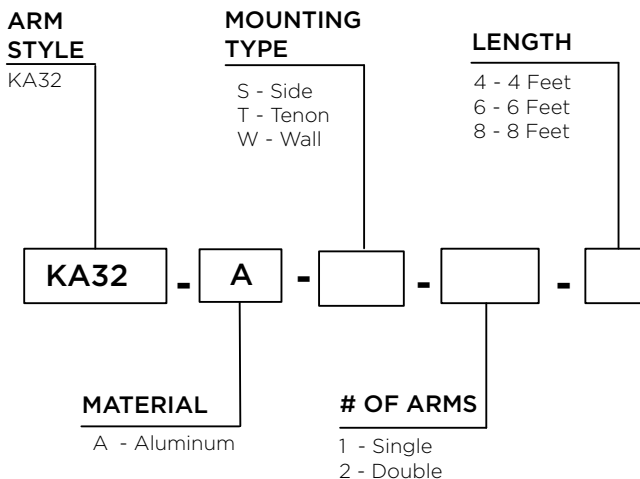
KPL20



KPL30

*See leveling device spec sheet for more options

HOW TO ORDER

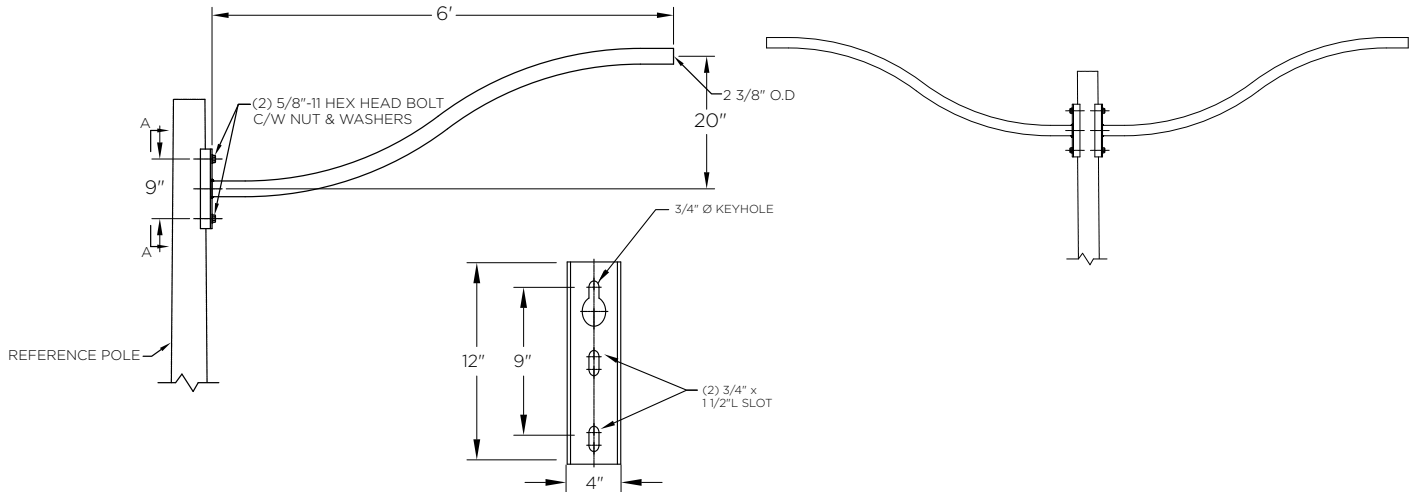


EPA & WEIGHT

Catalog Number	Mount Type	# of Arms	L. (ft)	EPA (sq ft)	Wt. (lbs)
KA32-A-S-1-4	Side	1	4	1.09	8
KA32-A-S-1-6	Side	1	6	1.52	14
KA32-A-S-1-8	Side	1	8	2.08	19
KA32-A-S-2-4	Side	2	4	2.08	16
KA32-A-S-2-6	Side	2	6	3.04	30
KA32-A-S-2-8	Side	2	8	4.06	38
KA32-A-T-1-4	Tenon	1	4	1.34	9
KS32-A-T-1-6	Tenon	1	6	1.87	16
KA32-A-T-1-8	Tenon	1	4	2.39	19
KA32-A-T-2-4	Tenon	2	4	2.68	15
KA32-A-T-2-6	Tenon	2	6	3.74	29
KA32-A-T-2-8	Tenon	2	8	4.13	35
KA30-A-W-1-6	Wall	1	6	1.72	14

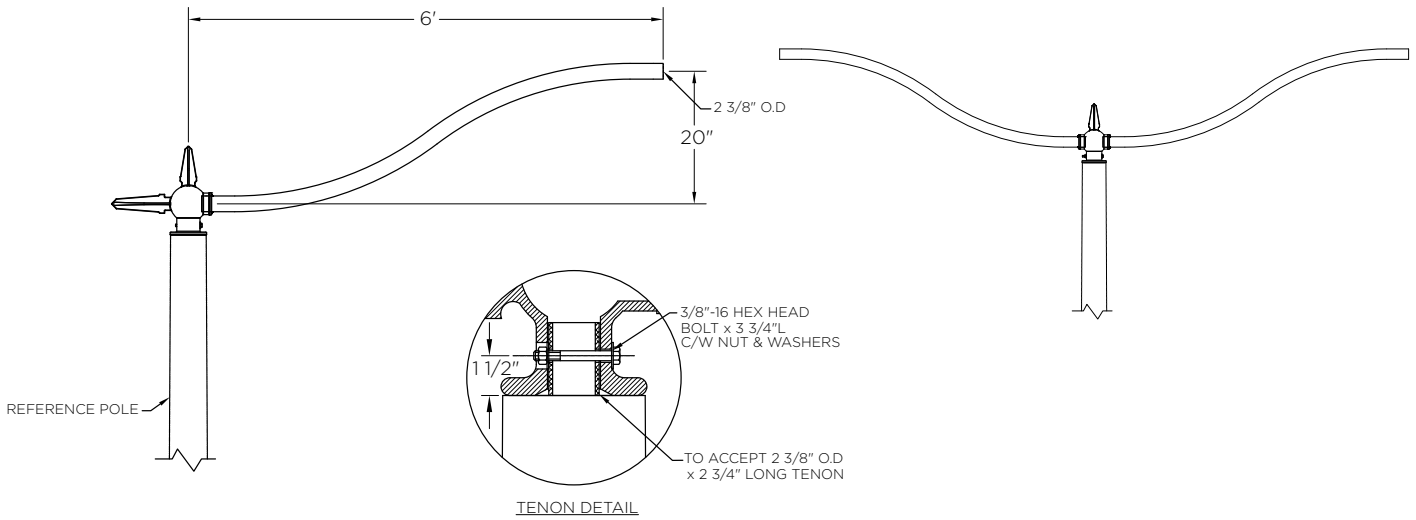
Side Mount Single Arm

Side Mount Double Arm



Tenon Mount Single Arm

Tenon Mount Double Arm



Wall Mount Single Arm

