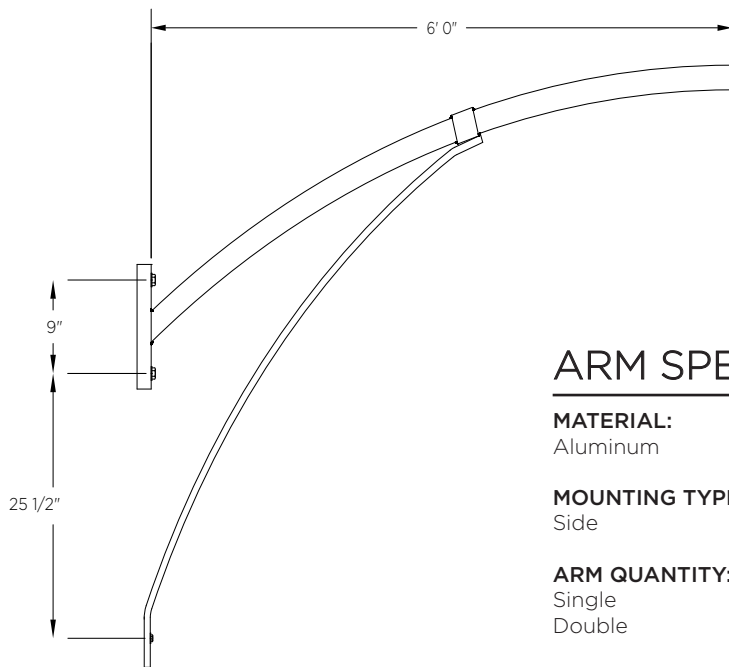


KA31 // LONDON ARM

DECORATIVE ARM



The King Luminaire KA31 London Arm is a simple and functional design with curved lines. This aluminum arm is available in a variety of lengths in a single and double side mount arm configuration. The KA31 provides a sleek and sophisticated option for any streetlighting situation.

ARM SPECIFICATIONS

MATERIAL:
Aluminum

MOUNTING TYPE:
Side

ARM QUANTITY:
Single
Double

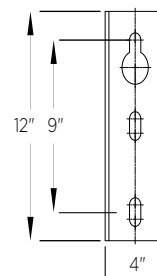
ARM LENGTH:
3' and 6'

FINISH:
Available in textured or smooth.

EPA
1.04 - 4 sq. ft.

WEIGHT
11 - 46 lbs

MOUNTING TYPES:



Sidel Mount Details
4" x 9" x 12"L

LEVELLING DEVICES:



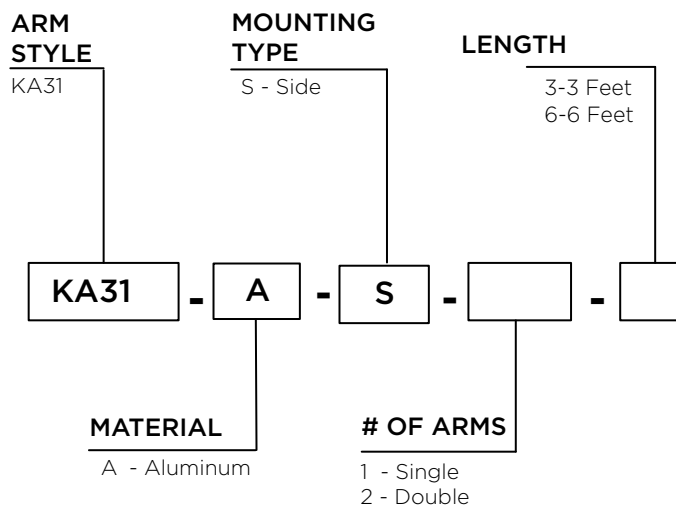
KPL20



KPL30

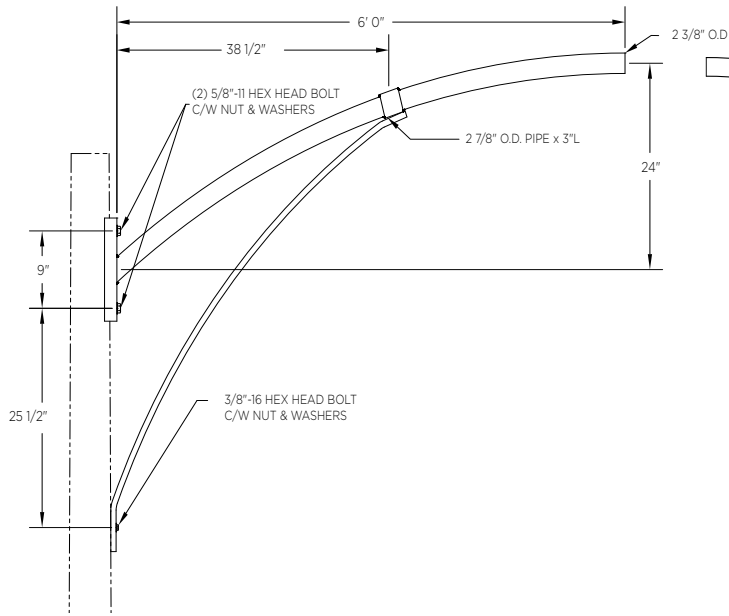
*See leveling device spec sheet for more options

HOW TO ORDER

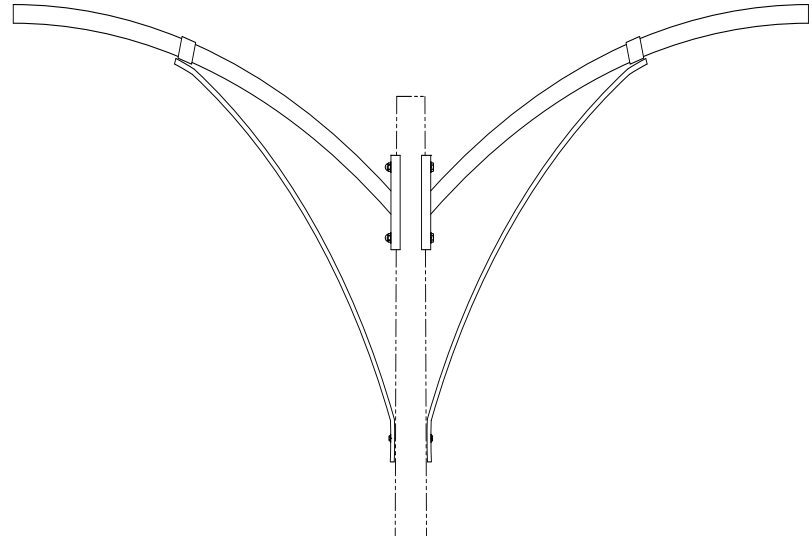


EPA & WEIGHT

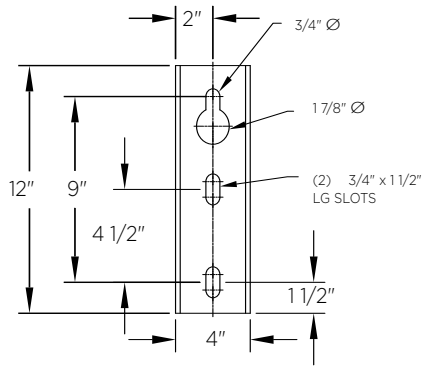
Catalog Number	Mount Type	# of Arms	EPA (sq ft)	Wt. (lbs)
KA31-A-S-1-3	Side	1	1.04	11
KA31-A-S-1-6	Side	1	2	23
KA31-A-S-2-3	Side	1	2.08	22
KA31-A-S-2-6	Side	1	4	46



Side Mount Single Arm



Side Mount Double Arm



Side Mounting Details