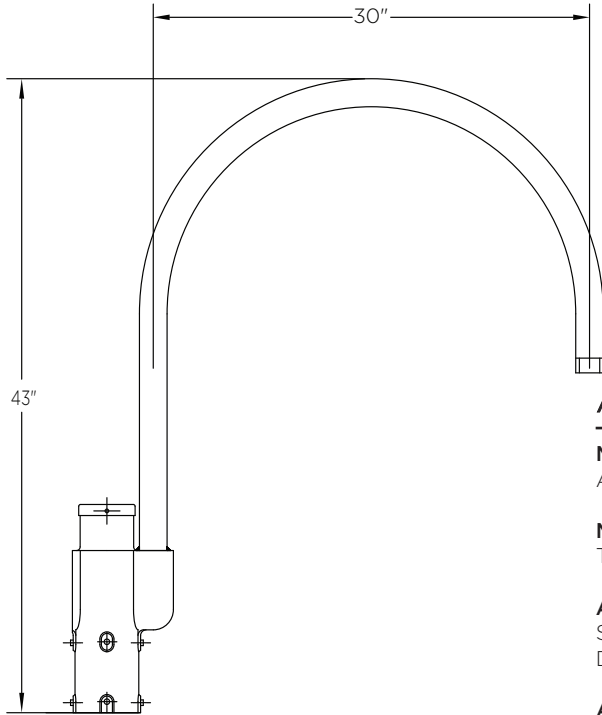


# KA13 // THE WISCONSIN

## DECORATIVE ARM



The King Luminaire KA13 Arm is unique design with minimal detail. This aluminum arm is available in single and double mounting arm configurations. The KA13 provides the ideal solution for any project.

### ARM SPECIFICATIONS

**MATERIAL:**  
Aluminum

**MOUNTING TYPE:**  
Tenon

**ARM QUANTITY:**  
Single  
Double

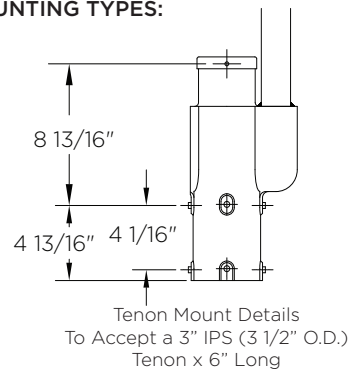
**ARM LENGTH:**  
Fixed Length

**FINISH:**  
Available in textured or smooth.

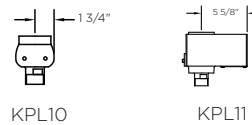
**EPA**  
1.64 - 2.77 sq. ft.

**WEIGHT**  
14 - 23 lbs

#### MOUNTING TYPES:

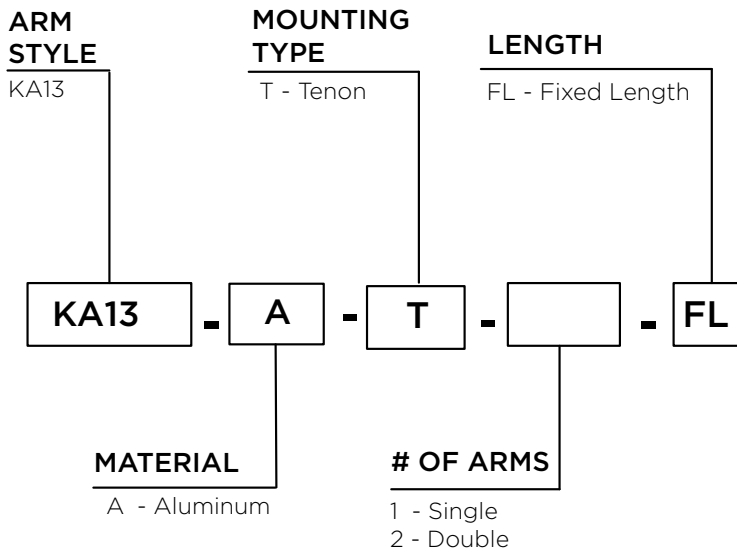


#### LEVELING DEVICES:



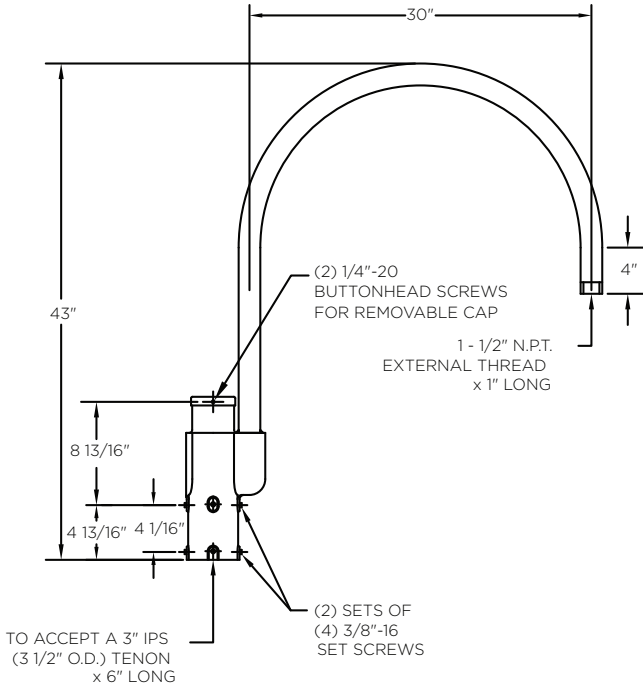
\*See leveling device spec sheet for more options

### HOW TO ORDER

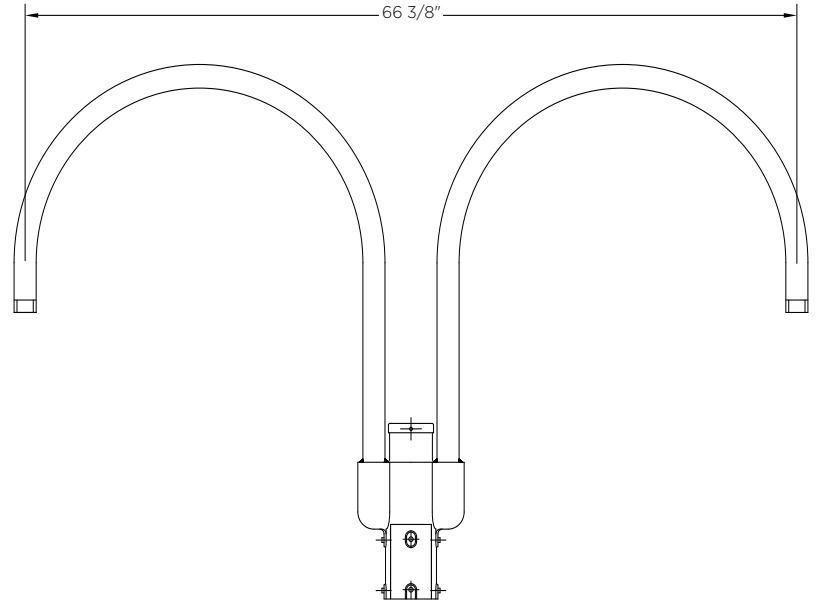


### EPA & WEIGHT

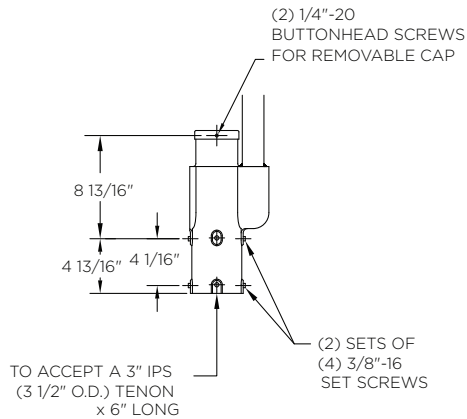
Catalog Number	Mount Type	# of Arms	L. (in)	EPA (sq ft)	Wt. (lbs)
KA13-A-T-1-FL	Tenon	1	30	1.64	14
KA13-A-T-2-FL	Tenon	2	30	2.77	23



Tenon Mount Single Arm



Tenon Mount Double Arm



Tenon Mount Details