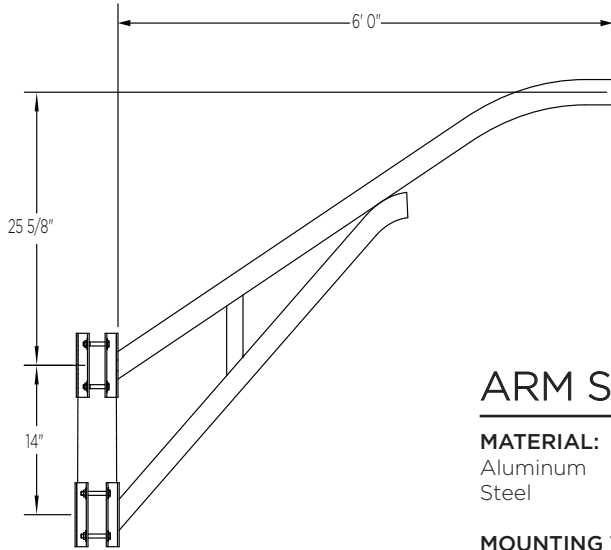


KA190 // TRUSS ARM

STREET LIGHT ARM



The King Luminaire KA190 Truss Arm is a simplistic arm with fine, curved lines. Available as a side octagonal or round mount with single or double arm configurations. The KA190 is the ideal solution for a simplistic project.

ARM SPECIFICATIONS

MATERIAL:
Aluminum
Steel

MOUNTING TYPE:
Side Octagonal
Side Round

ARM QUANTITY:
Single
Double

ARM LENGTH:
4', 6', 8', 10', 12'

FINISH:
Available in textured or smooth.

EPA
1.71 - 13.26 sq. ft.

WEIGHT
17 - 198 lbs

MOUNTING TYPES:

Side Mount Octagonal:
Suitable for 5 3/8" - 6" FL/FL Pole Top

Side Mount Round:
Suitable for 6 1/2" Ø Pole Top

ARM DIMENSIONS:

Run	Rise
4'	18"
6'	25 5/8"
8'	36"
10'	36"
12'	42"

LEVELING DEVICE:



KPL20



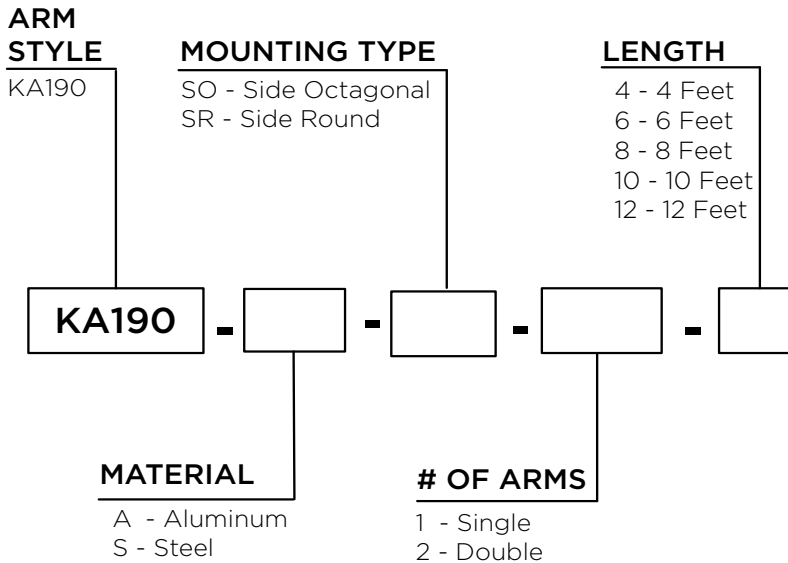
KPL30

*See leveling device spec sheet for more options

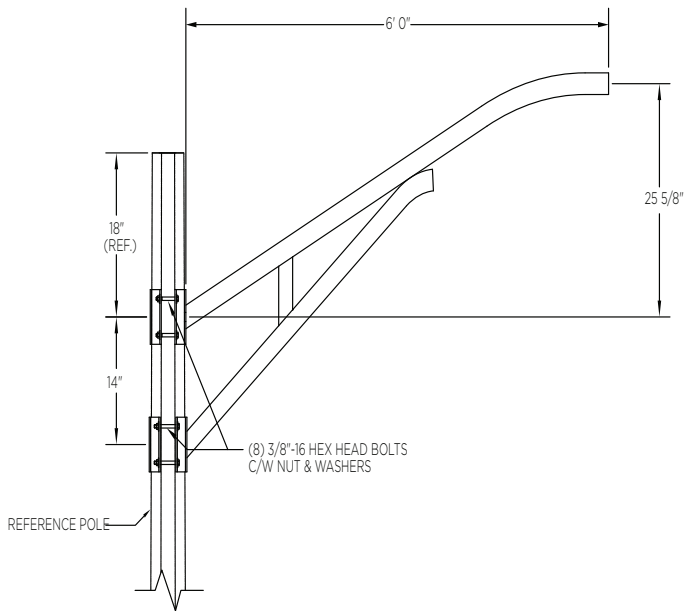
EPA & WEIGHT

Catalog Number	Mount Type	# of Arms	L. (ft)	EPA (sq ft)	Wt. (lbs)
KA190-A-SR/SO-1-4	Side	1	4	1.71	17
KA190-A-SR/SO-1-6	Side	1	6	2.44	23
KA190-A-SR/SO-1-8	Side	1	8	3.53	37
KA190-A-SR/SO-1-10	Side	1	10	4.24	47
KA190-A-SR/SO-1-12	Side	1	12	6.63	66
KA190-A-SR/SO-2-4	Side	2	4	3.42	27
KA190-A-SR/SO-2-6	Side	2	6	4.88	38
KA190-A-SR/SO-2-8	Side	2	8	7.06	66
KA190-A-SR/SO-2-10	Side	2	10	8.48	82
KA190-A-SR/SO-2-12	Side	2	12	13.26	118
KA190-S-SR/SO-1-4	Side	1	4	1.71	50
KA190-S-SR/SO-1-6	Side	1	6	2.44	67
KA190-S-SR/SO-1-8	Side	1	8	3.53	85
KA190-S-SR/SO-1-10	Side	1	10	4.24	99
KA190-S-SR/SO-1-12	Side	1	12	5.13	108
KA190-S-SR/SO-2-4	Side	2	4	3.42	79
KA190-S-SR/SO-2-6	Side	2	6	4.88	113
KA190-S-SR/SO-2-8	Side	2	8	7.06	146
KA190-S-SR/SO-2-10	Side	2	10	8.48	172
KA190-S-SR/SO-2-12	Side	2	12	10.26	198

HOW TO ORDER



Side Mount Octagonal Single Arm



Side Mount Octagonal Double Arm

