

# KSB11 // FRONTIER JR.

## DECORATIVE SPLIT BASE



The Frontier Jr. offers a simple elegance and clean style with the octagonal cross section. The cast aluminum clam shell base offers easy installation and is available with either a round or fluted aluminum or steel non-tapered shaft.

### SPECIFICATIONS

**MATERIAL:**

Cast Aluminum

**WEIGHT:**

16 lbs

**BASE HEIGHT:**

14"

**BASE WIDTH:**

19.1875"

**HANDHOLE HEIGHT:**

7.5"

**MAX. OPENING:**

5.375"

**MAX. BUTT SIZE:**

5.25" (Non-tapered)

**MAX. BASEPLATE:**

11.25" (1" Thick Square w/ 1.75" Corner Radius)

11.5" (0.75" Thick Square w/ 1.5" Corner Radius)

14.5" Ø (1" Thick Circle)

15" Ø (0.75" Thick Circle)

**MAX. ANCHOR BOLT PROJECTION:**

4.5" (1" Thick); 3.5" (0.75" Thick)

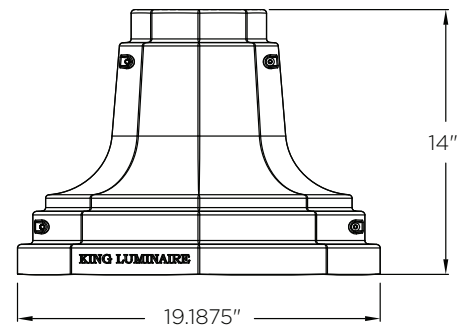
### COMPATIBLE POLES

Pole Style	Pole butt Size
RE	4
	4.5
	5 *
FE	5.25*

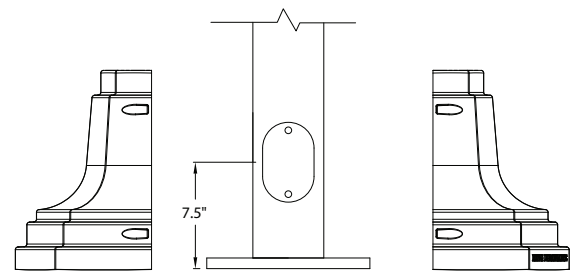
\* Recommended size

Note: Recommended sizes reflect those with the best overall looking fit of pole and base combination.

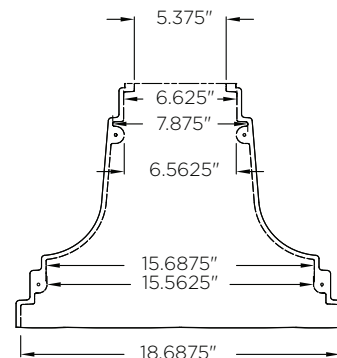
### BASE DIMENSIONS



Split Base Detail



Split Base Detail with Shaft



Cross Section Detail

06-10-2024