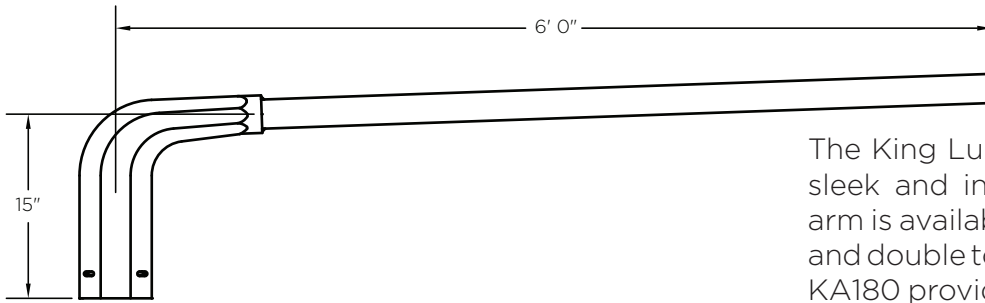


KA180 // THE SLIP OVER

STREET LIGHT ARM



The King Luminaire KA180 Slip over arm is a sleek and innovative design. This aluminum arm is available in a variety of lengths in single and double top mount arm configurations. The KA180 provides an easy and straightforward solution for any street lighting project.

ARM SPECIFICATIONS

MATERIAL:
Aluminum

MOUNTING TYPE:
Top Mounted:
Octagonal
Hexagonal

ARM QUANTITY:
Single
Double

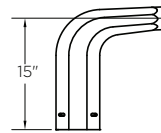
ARM LENGTH:
2', 4', 6' and 8'

FINISH:
Available in textured or smooth.

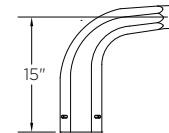
EPA
1.00 - 3.38 sq. ft.

WEIGHT
12 - 51 lbs

MOUNTING TYPES:



Top Mounted (Octagonal)



Top Mounted (Hexagonal)

LEVELING DEVICES:



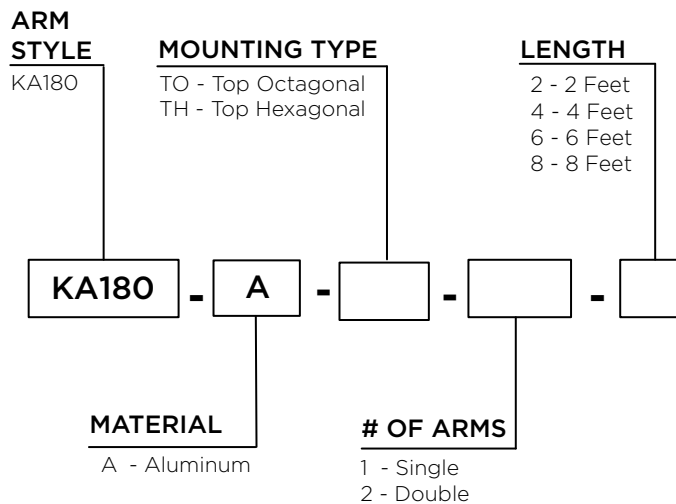
KPL20



KPL30

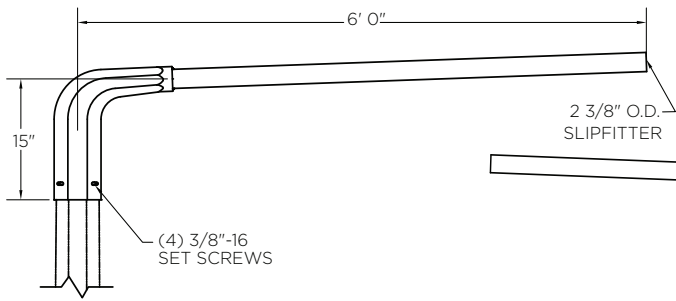
*See leveling device spec sheet for more options

HOW TO ORDER

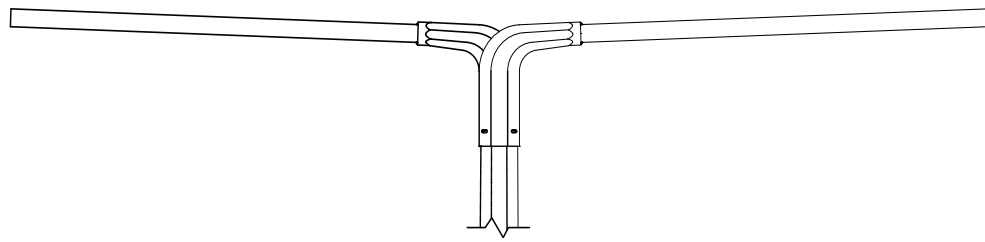


EPA & WEIGHT

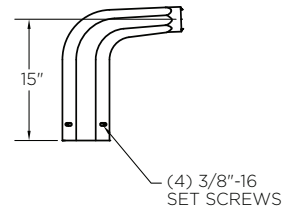
Catalog Number	Mount Type	# of Arms	L. (ft)	EPA (sq ft)	Wt. (lbs)
KA180-A-TO-1-2	TO	1	2	1.23	13
KA180-A-TO-1-4	TO	1	4	1.56	16
KA180-A-TO-1-6	TO	1	6	2.00	21
KA180-A-TO-1-8	TO	1	8	2.55	25
KA180-A-TO-2-2	TO	2	2	1.66	22
KA180-A-TO-2-4	TO	2	4	2.51	41
KA180-A-TO-2-6	TO	2	6	3.38	51
KA180-A-TO-2-8	TO	2	8	4.32	44
KA180-A-TH-1-2	TH	1	2	1.00	12
KA180-A-TH-1-4	TH	1	4	1.43	15
KA180-A-TH-1-6	TH	1	6	1.87	17
KA180-A-TH-1-8	TH	1	8	2.30	23
KA180-A-TH-2-2	TH	2	2	1.66	22
KA180-A-TH-2-4	TH	2	4	2.40	27
KA180-A-TH-2-6	TH	2	6	3.27	32



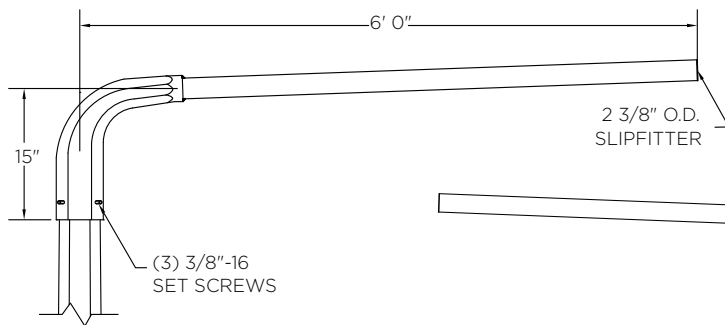
Top Octagonal Mount Single Arm



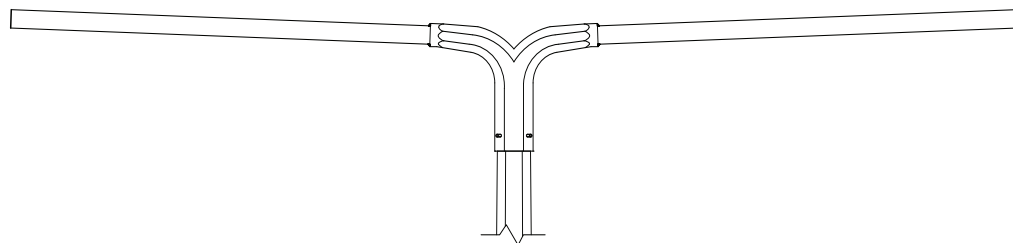
Top Octagonal Mount Double Arm



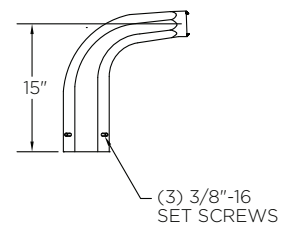
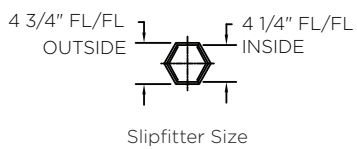
Octagonal Mount Details



Top Hexagonal Mount Single Arm



Top Hexagonal Mount Double Arm



Hexagonal Mount Details