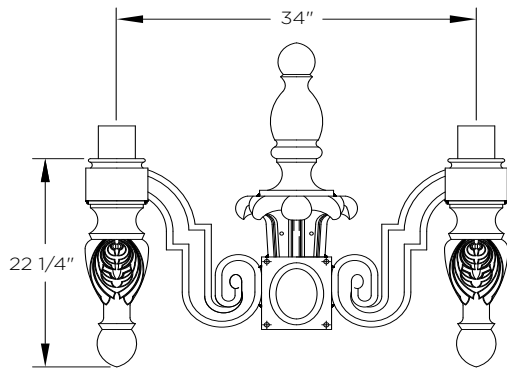


KA91 // REGENCY ARM

DECORATIVE ARM



The King Luminaire KA91 Regency Arm is a charming twin arm with outstanding detail. Available in a tenon mount twin arm configuration, the KA91 is a stunning lighting solution bound to turn heads.

ARM SPECIFICATIONS

MATERIAL:
Aluminum

MOUNTING TYPE:
Tenon

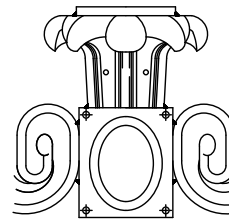
Arm Dimensions
34"L x 22 1/4"

FINISH:
Available in textured or smooth.

EPA
4.03 sq. ft.

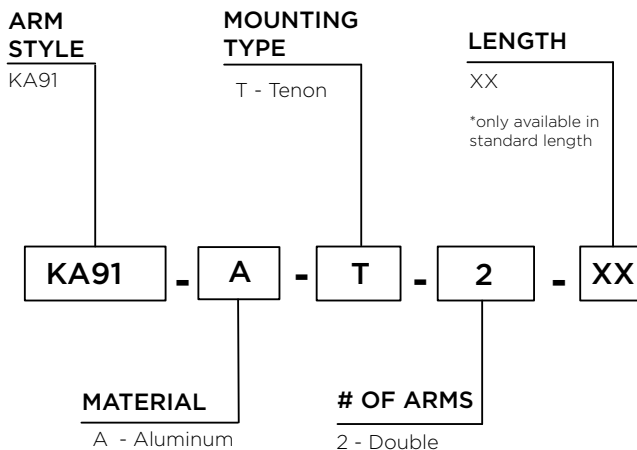
WEIGHT
65 lbs

MOUNTING DETAIL:



Tenon Mount Details
TO ACCEPT 3 1/2" DIAMETER
X 13"L TENON

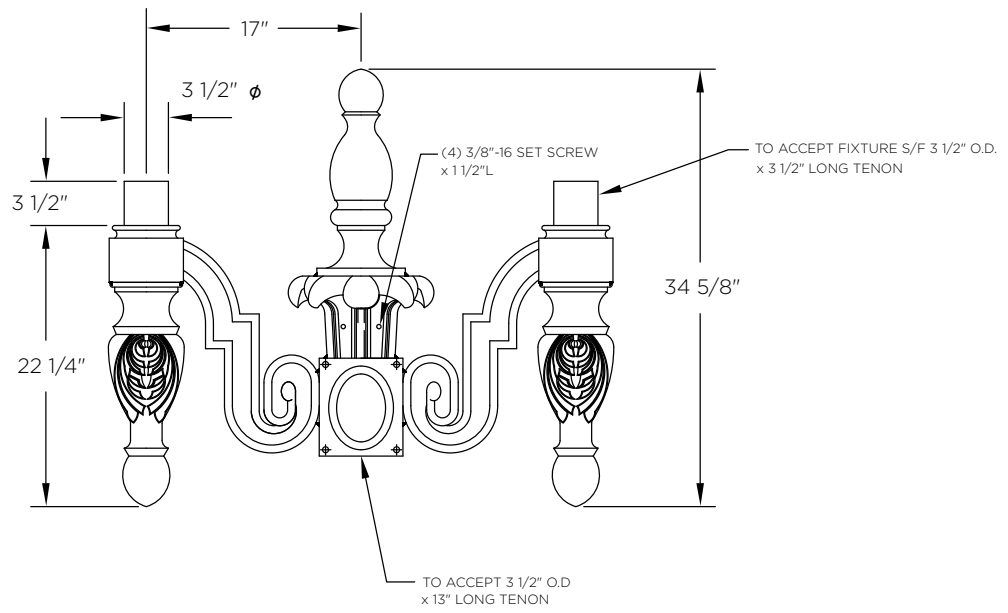
HOW TO ORDER



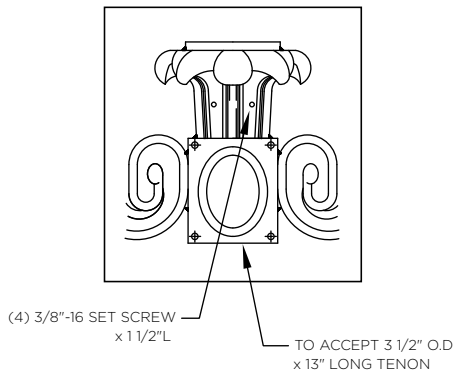
EPA & WEIGHT

Catalog Number	Mount Type	# of Arms	L. (in)	EPA (sq ft)	Wt. (lbs)
KA91-A-T-2-XX	Tenon	2	17	4.03	65

Tenon Mount Twin Arm



Tenon Mounting Details



Tenon Details

